

RTC-1030 PRELIMINARY

10.1" Rugged Tablet Featuring Intel® Processor N-series/Atom® Processors x7000E



Features

- 10.1" FHD (1920 x 1200) 450 / 800-nit TFT LCD
- Intel® Processor N-series/Atom® Processors x7000E
- Wi-Fi 6E (802.11ax), Bluetooth 5.3, LTE (Optional)
- 5MP Front and 13MP Rear Camera
- Up to 3 GNSS, GPS + Galileo (Default), GLONASS, BeiDou (Optional)
- Hot-swappable Battery, 14.4V/ 2270mAh, 32.7W x 2
- MIL-STD-810H, IP65 Compliant
- Programmable Function Keys



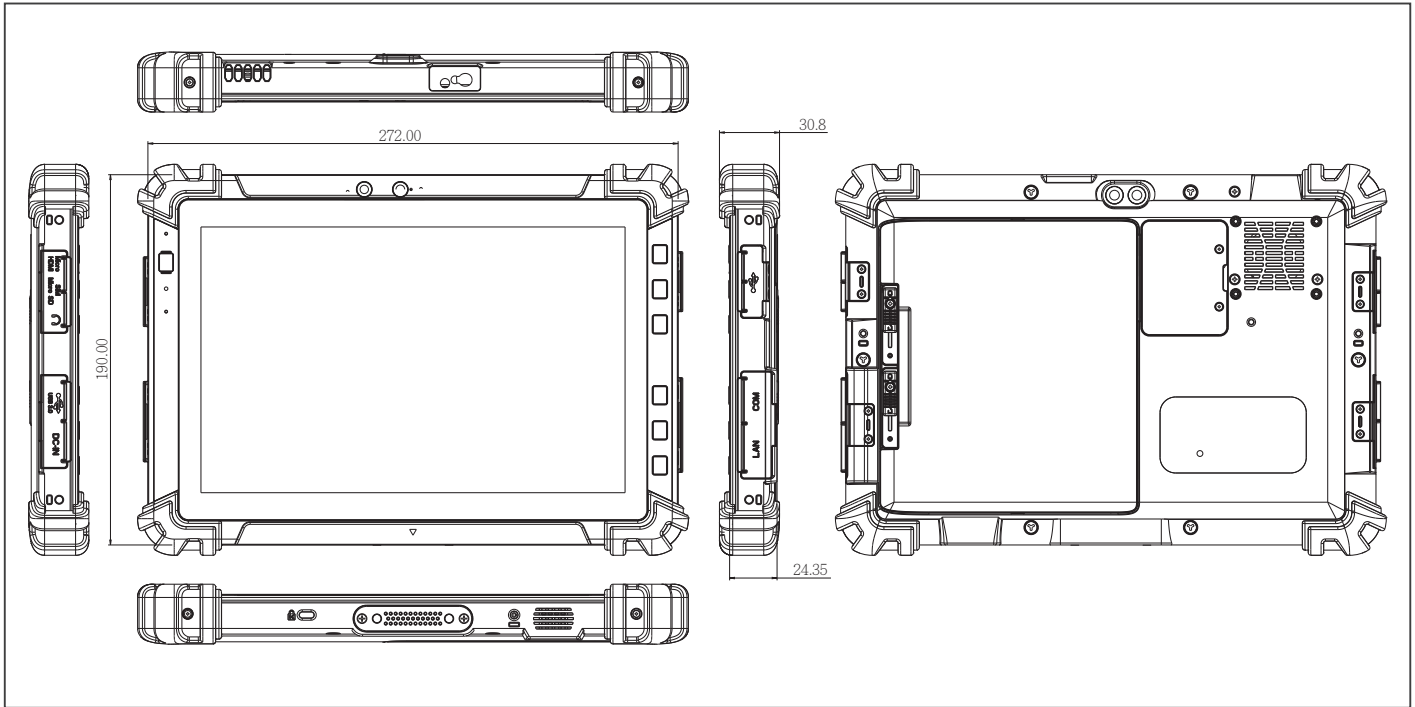
Sensor	G-sensor E-compass Gyro-sensor Light-sensor
Expansion Slot	M.2 slot x 3 (One for SSD, One for WiFi module, One for LTE module) Docking connector x 1: USB 3.2 Gen 1 x 1
Barcode Scanner (Optional)	2D Barcode scanner, Honeywell N4680 (Optional)
HF RFID (Optional)	ISO 15693 (R/W) ISO 18092 (R/W) ISO 14443-A (R/W) ISO 14443-B (Only Read UID) Depend on card type
Audio	Speaker x 1
Physical Key	F0 or Windows (Windows Start Key), F1 (BCR Trigger Button (When BCR is enabled)), F2 (Screenprint), F3 (Ctrl+Alt+Del), Volume Up (Speaker Volume Up), Volume Down (Speaker Volume Down)
Mechanical	
Color	Black
Dimension (W x H x D)	272.0 x 190.0 x 24.0 mm (10.71" x 7.48" x 0.94")
Gross Weight	3.3 lbs (1.5 Kg) based on configurations
Environmental	
Operating Temperature	-20°C ~ 50°C (-4°F ~ 122°F)
Storage Temperature	-30°C ~ 70°C (-22°F ~ 158°F)
Humidity	0% ~ 90% relative humidity, non-condensing
Environmental Sealing	IP65
Vibration	MIL-STD-810H: 2019, Table 514.8C-1 Category 4 - Common carrier
Drop	MIL-STD-810H: 2019, Figure 514.8E-1 Category 24 - General minimum integrity exposure Drop height: 122 cm Number of Drop: 26 times, for all surfaces, edges and corners Condition: Based on 2" plywood over concrete
Shock	MIL-STD-810H: 2019, Table 516.8-IV Procedure I
ESD	Air charge: +/- 8KV, Contact charge: +/- 4KV
Certifications and Standards	CE EMC / CE RED WiFi 2.4G/5G / CE RED LTE FCC EMC / FCC RF WiFi 2.4G/5G LVD / UKCA TELEC WiFi / LTE MIL-STD-461G: CE101 / CE102 / CS118 / RE101 / RE102
Power Supply	
AC / DC Adapter	DC Jack: AC 100 ~ 240 V, 50 ~ 60 Hz, Output: 19V/ 3.42A/ 65W USB Type C charger (Optional)
Battery Life	Li-ion Battery 8-hour battery life based on test configurations
Master Battery	Hot-swappable battery: 14.4V, 2270mAh, 32.7W 14.8V, 3450mAh, 51.1W (Optional)
Slave Battery	Hot-swappable battery: 14.4V, 2270mAh, 32.7W 14.8V, 3450mAh, 51.1W (Optional)
Display	
LCD	10.1" TFT-LCD Display
Resolution	1920 x 1200
Maximum Color	16.7M
Dot Size	0.1129 (H) x 0.1129 (V) mm
Brightness	450 nits (800 nits, Optional)
Viewing Angle	Horizontal: 170°, Vertical: 170° (Typical)
Touch Screen	
Touch Type	Projected Capacitive Multi-Touch Screen (PCT)
Light Transmission	Min. 85%

Specifications

System Architecture	
Processor	Intel® Processor N50, 3.4GHz Intel Atom® Processor x7425E, 3.4GHz
Operating System	Windows® 11 IoT Enterprise GAC (Default)
Memory	Onboard LPDDR5, 8GB (Default) / 16GB
Storage	M.2 SSD, 128GB (Default) / 256GB / 512GB / 1TB
Display	10.1" WUXGA (1920x1200) 800-nit / 450-nit TFT LCD With Projected Capacitive Multi-Touch Screen
I/O Port	USB Type-C display port x 1 SIM card slot x 1 Micro-SD card slot x 1 Audio jack x 1 (3.5mm) USB 3.2 Gen 1 x 2 (USB Type-C x 1 with Display function), USB 2.0 x 2 DC-in Jack x 1 USB Type-C charger (Optional, With USB Type-C function) RS-232/422/485 COM Port x 1 10/100/1000 Base-T RJ45 x 1
Communication	Wi-Fi 802.11 a/b/g/n/ac/ax Bluetooth v5.3 (EDR + BLE)
Navigation	Up to 3 GNSS, GPS + Galileo (Default), GLONASS, BeiDou (Optional)
WWAN(optional)	LTE via M.2 slot (Optional)
Camera	5MP front camera 13MP rear camera with flash

Dimension

Unit: mm



Packing List

- **RTC-1030**
 - **125530065A**
AC-To-DC Power Adaptor, 19V, 65W
 - **Power Cord (By Order)**
 - **Type C Power Adaptor (Optional)**
- *Power cord must be purchased separately.

Optional Accessories

- **RDS-1020-000**
Docking Station, W/O Stand
- **RDS-1020-001**
Docking Station, W/ Stand
- **RBC-1200-000**
4-bay Battery Charger, for 32.7W battery pack
- **RBC-1020-000**
4-bay Battery Charger, for 51.1W battery pack
- **RTC-1010-HS-000**
Hand Strap
- **RTC-1010-SB-000**
Shoulder Belt, 2 Points
- **RTC-1200BAT01-000**
Battery Pack, 14.4V, 2,270mAh, 2 pcs/Box
- **RTC-1020-BAT-000**
Battery Pack, 14.8V, 3,450mAh, 2 pcs/Box
- **170203J000**
DC Input Cable, 2 Meters, For RDS-411
- **1259X00004**
DC-To-DC Power Adaptor, Vin=11-16V, 22-32V, Output 19V/3.42A (65W), One End-DC Jack, One End-Two Flying Wires
- **1255900901**
DC-To-DC Power Adaptor, Vin=11-16V, 22-32V, Output 19V/4.73A (90W), One End-DC Jack, One End-Cigarette Plug

Ordering Information

- TBD