

AMB-2023

Shock Test Report

Report NO : 02P030023

Issued by:

/

08/13/2002

Art Liao
QE Engineer

Date

Reviewed by:

/

08/13/2002

Linden Lin
QE Manager

Date

Test Date: 08-6-2002
Test Product: AMB-2023
Test Site: KING DESIGN VIBRATION LABORATORY
Performed By : Art Liao

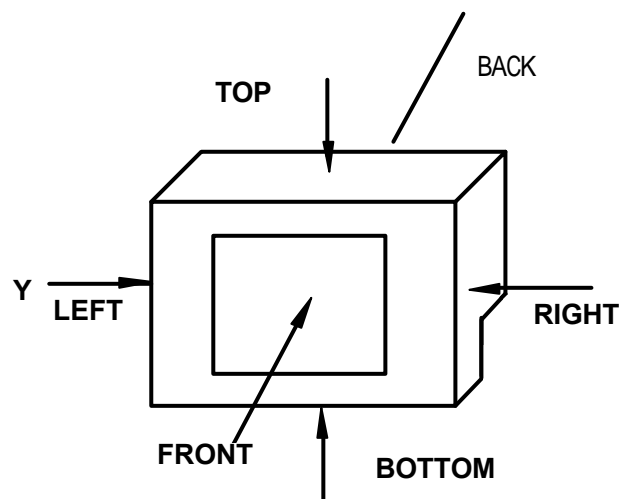
Test Standard : Reference IEC68-2-27 Testing procedures
Test Ea : Conformity

Test Equipment:

Type	MFR	Model Number	Serial Number
Shock Tester	KSON	KD-9363-600FK2-50N120	KDS11054783
Controller	DACTRON	DSC System Version 0.922	635651
Control Accelerometer	WILCOXON RESEARCH	WR-777	4207

Test Condition :

1. Non-operation
2. Wave Form : Half Sine wave
3. Acceleration : 15g
4. Duration Time : 11 ms
5. No. of Shock : Each axis 3 times
6. Shock Direction : Bottom, Top, Left, Right, Front, Back axis
7. Axial Definition :



Sample Configuration & Quantity Under Test :

Using one AMB-2023 Modular system industrial panel PCs.

1. CPU : Intel Pentium III 850MHz
2. Memory : NEC D4564841G5-A80-9JF (SDRAM PC-100) 64MB.
3. HDD : Fujitsu MHN 2060AT

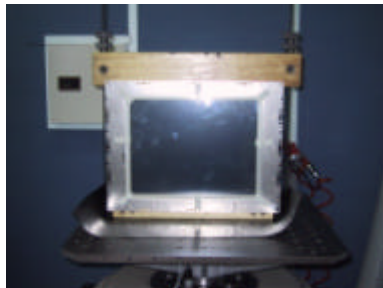
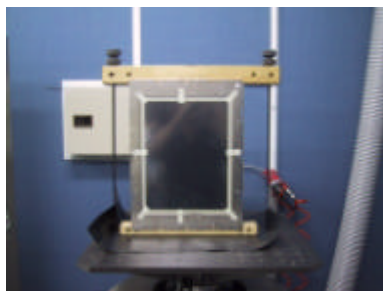
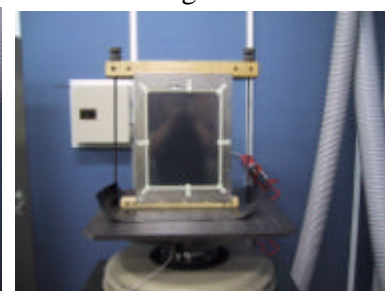
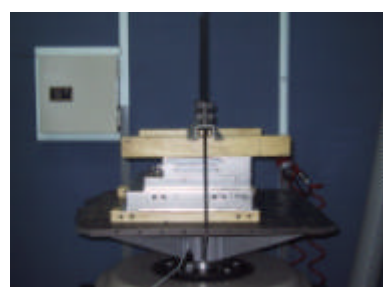
Performance Criteria :

- 1.The system structure doesn' t deformation; Function is OK during system test..
- 2.The switch button , cover, and slot should work properly without any interference.

Test Result :

Passed.

The AMB-2023 Modular system industrial panel PCs. meets Shock Non-operation test.

Testing Photos :**TOP****Bottom****Left****Right****Front****Back**

Test Curve :

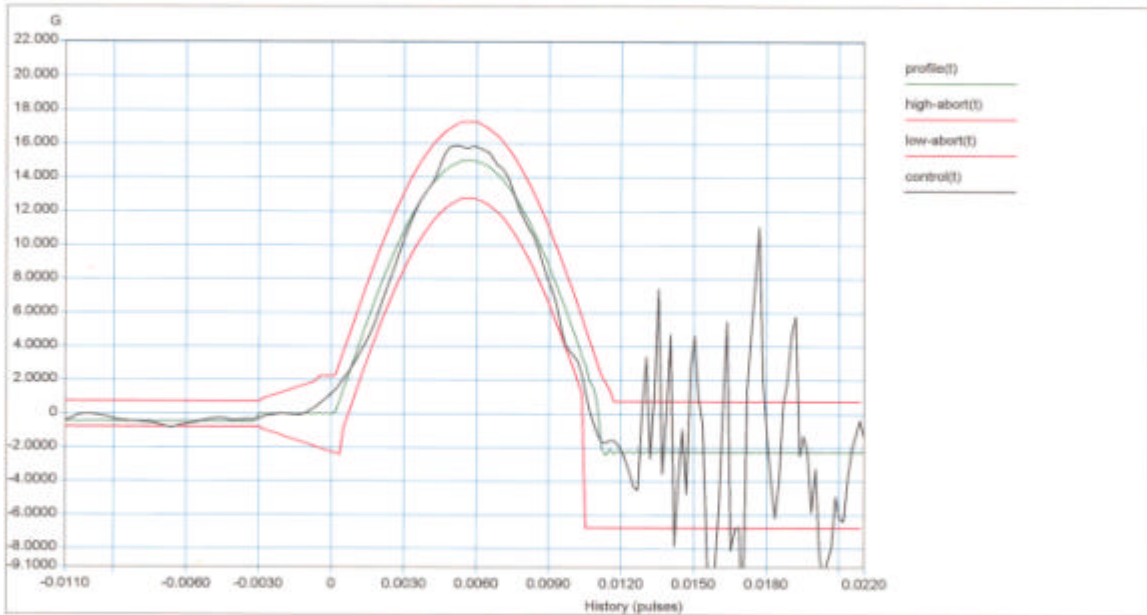
Axis top

Project File Name: Untitled

Profile Name: 15G 11mSec

Test Type: Classical Shock

Run Folder: .Run Jun 21,2002 14-42-52



Level: 100 % Block Size: 4096 Elapsed Pulses: 11
Frame Time: 0.682667 Seconds Control Peak: 15.823575 G Control RMS: 1.723898 G Full Level Elapsed Pulses: 3
dT: 0.000167 Seconds Demand Peak: 14.999999 G Demand RMS: 1.494986 G Remaining Pulses: 0
Pulse Type: Half Sine Amplitude: 14.999999 G Pulse Width: 11.000001 ms