



KING DESIGN INDUSTRIAL CO., LTD.
5F, NO 3, Lane 270, Pei Shen Road Sec.3,
Shen Keng Hsiang, Tapei Hsien 222, Taiwan, R.O.C
TEL: 886-2-2662-5100 FAX: 886-2-2662-3094

Reliability & Communication Testing Instruments

VIBRATION LABORATORY
http://www.king-design.com.tw
E-mail: kingdsgrn@ms8.hinet.net

TESTING / INSPECTION REPORT

DATE : July 27, 2001
REPORT NO : DT-010702-2

COMPANY : AAEON Technology Inc.
5F, No.135, Lane 235, Pao Chiao Rd.
Hsin-Tien City, Taipei, Taiwan, R. O. C.
TEL : 886-2-8919-1234
FAX : 886-2-8919-1049

SPECIMEN : AWS-8157

TEST / INSPECTION ITEMS : Drop Test (See Page 2)

REMARKS :

- The results only apply to the device under test.
- This report is 6 pages, and no part of it may be abstracted or reproduced.
- Attached pages are controlling pulse of drop test.

Test Engineer : <i>Trishi Chiu</i>	
Approved by : <i>2001.7.11 Dave Lee</i>	Laboratory Head : <i>2001.7.11 Hung Chen</i>





KING DESIGN INDUSTRIAL CO., LTD.
5F, NO 3, Lane 270, Pei Shen Road Sec.3,
Shen Keng Hsiang, Tapei Hsien 222, Taiwan, R.O.C
TEL: 886-2-2662-5100 FAX: 886-2-2662-3094

Reliability & Communication Testing Instruments

VIBRATION LABORATORY
<http://www.king-design.com.tw>
E-mail: kingdsgn@ms8.hinet.net

TESTING / INSPECTION REPORT

TESTING EQUIPMENT :

Drop Testing System : KD-128A (S/N : R2110086389)

TEST ENVIRONMENT :

Temperature : $20 \pm 2^{\circ}\text{C}$
Humidity : $70 \pm 20\% \text{ RH}$

SPECIMEN :

Model : AWS-8157
Quantity : 1 piece

DROP TEST SPECIFICATION :

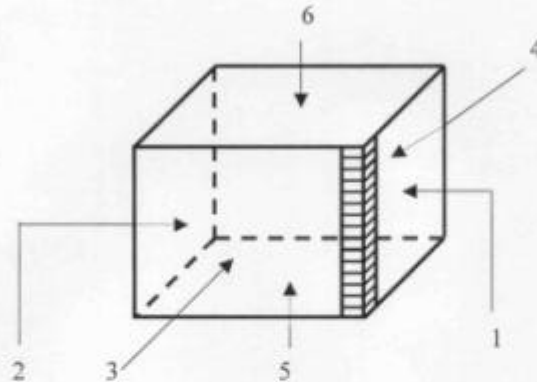
Drop Height : 45.7 cm
Drop Onto : 1 corner, 3 edge & 6 face

TEST RESULT :

Appearance check : No damage
Function check : Normal

NOTE : The pass or failed judgment by AAEON engineers.

TESTING / INSPECTION REPORT



1	The 1-3-5 Corner	Corner
2	The shortest edge radiating from that corner	Edge
3	The next longest edge radiating from that corner	Edge
4	The longest edge radiating from that corner	Edge
5	Flat on one of the bottom faces	Flat
6	Flat on one of the left faces	Flat
7	Flat on one of the top faces	Flat
8	Flat on one of the right faces	Flat
9	Flat on one of the front faces	Flat
10	Flat on one of the rear faces	Flat



KING DESIGN INDUSTRIAL CO., LTD.
5F, NO 3, Lane 270, Pei Shen Road Sec.3,
Shen Keng Hsiang, Tapei Hsien 222, Taiwan, R.O.C
TEL: 886-2-2662-5100 FAX: 886-2-2662-3094

Reliability & Communication Testing Instruments

VIBRATION LABORATORY
<http://www.king-design.com.tw>
E-mail: kingdsgn@ms8.hinet.net

TESTING / INSPECTION REPORT

Testing photos Corner





KING DESIGN INDUSTRIAL CO., LTD.
5F, NO 3, Lane 270, Pei Shen Road Sec.3,
Shen Keng Hsiang, Taipei Hsien 222, Taiwan, R.O.C
TEL: 886-2-2662-5100 FAX: 886-2-2662-3094

Reliability & Communication Testing Instruments

VIBRATION LABORATORY
<http://www.king-design.com.tw>
E-mail: kingdsgn@ms8.hinet.net

TESTING / INSPECTION REPORT

Testing photos Edge



TELECOMS / VIBRATION / SHOCK INSTRUMENTS



KING DESIGN INDUSTRIAL CO., LTD.
5F, NO 3, Lane 270, Pei Shen Road Sec.3,
Shen Keng Hsiang, Taipei Hsien 222, Taiwan, R.O.C
TEL: 886-2-2662-5100 FAX: 886-2-2662-3094

Reliability & Communication Testing Instruments

VIBRATION LABORATORY
<http://www.king-design.com.tw>
E-mail: kingdsgn@ms8.hinet.net

TESTING / INSPECTION REPORT

Testing photos Face

