



**AAEON Technology INC.**  
ISO-9001/ISO-14001 Certified  
Industrial Automation PCs

# **AMB-2053**

Fan : P/N 1759200152

## **QE Drop Test Report**

Release Date : Feb. 25, 2002

---

**Issue Stamp**

---

**QE Manager**

---

**Test Engineer**

# Drop

**Model Name** : AMB-2053 (Fan : P/N 1759200152)

**Test Date** : 02-25-2002

**Test Site** : AAEON QE Dept.

**Performed by** : Rex Chang

## TEST ENVIRONMENT :

**Temperature** : 20  $\pm$ 2 $^{\circ}$ C

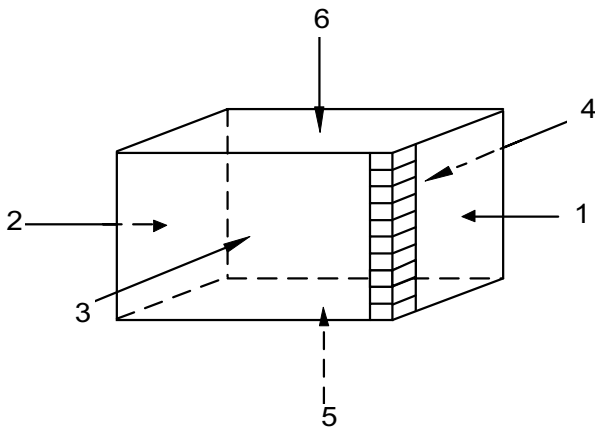
**Humidity** : 60  $\pm$ 20%RH

## DROP TEST SPECIFICATION :

**Weight of testing unit** : 12.4 kg

**Drop Height** : 76 cm

**Drop Onto** : 1corner, 3edge & 6 face



<b>1</b>	The 1-3-5 Corner	Corner
<b>2</b>	The shortest edge radiating from that corner	Edge
<b>3</b>	The next longest edge radiating from that corner	Edge
<b>4</b>	The longest edge radiating from that corner	Edge
<b>5</b>	Flat on one of the smallest faces	Flat
<b>6</b>	Flat on one of the opposite small faces	Flat
<b>7</b>	Flat on one of the medium faces	Flat
<b>8</b>	Flat on one of the opposite medium faces	Flat
<b>9</b>	Flat on one of the largest faces	Flat
<b>10</b>	Flat on one of the opposite largest faces	Flat

## TEST RESULT :

1. System structure doesn't deformation.
2. The fan of CPU did not fall off (Fan : P/N 1759200152).



3. System basic function tested OK.

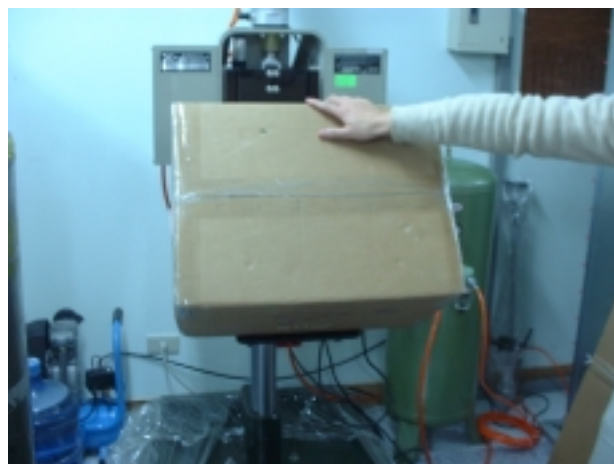
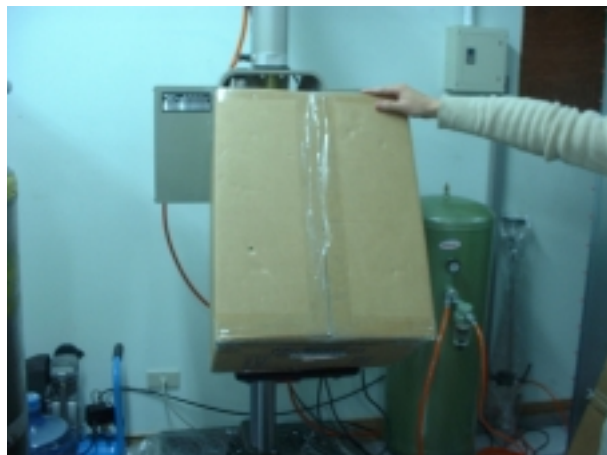
## Testing photos

### Corner



## Testing photos

### Edge



# Testing photos

## Face

