



KING DESIGN INDUSTRIAL CO., LTD.  
5F, NO. 3, LANE 94, TSAO TI WEI, SHEN KENG  
HSIANG, TAIPEI HSIEN, TAIWAN, R.O.C.

Reliability & Communication Testing Instruments

http://www.instrument.com.tw  
E-mail: kingdsgn@ms8.hinet.net  
TEL: 886-2-2662-5100 FAX: 886-2-2662-3094

## TESTING / INSPECTION REPORT

DATE : July 17, 2000  
REPORT NO : DT-000717-2

COMPANY : AAEON Technology Inc.  
5F, No.135, Lane 235, Pao Chiao Rd.  
Hsin-Tien City, Taipei, Taiwan, R. O. C.  
TEL:886-2-8919-1234  
FAX:886-2-8919-1049


SPECIMEN : 15" Modular System Industrial Panel PCs

TEST / INSPECTION ITEMS : Drop Test (See Page 2)

### REMARKS :

- The results only apply to the device under test.
- This report is 7 pages, and no part of it may be abstracted or reproduced.
- Attached pages are controlling pulse of drop test.

Test Engineer : <i>Chiping</i>	Laboratory Head :
Approved by : <i>Dave Lee</i>	<i>2000/7/19 Hing</i>





KING DESIGN INDUSTRIAL CO., LTD.  
5F, NO. 3, LANE 94, TSAO TI WEI, SHEN KENG  
HSIANG, TAIPEI HSIEN, TAIWAN, R.O.C.

Reliability & Communication Testing Instruments

<http://www.instrument.com.tw>  
E-mail: [kingdsgn@ms8.hinet.net](mailto:kingdsgn@ms8.hinet.net)  
TEL: 886-2-2662-5100 FAX: 886-2-2662-3094

## TESTING / INSPECTION REPORT

### TESTING EQUIPMENT :

- 1.Drop Testing System : KD-128A
- 2.Controller : KDMS12004
- 3.Measuring Accelerometer : KISTLER 8793A500 (S/N: C119425)

### TEST ENVIRONMENT :

- Temperature :  $20 \pm 2^{\circ}\text{C}$
- Humidity :  $70 \pm 20\% \text{ RH}$

### SPECIMEN :

- Model : AMB-2051
- Quantity : 1 piece

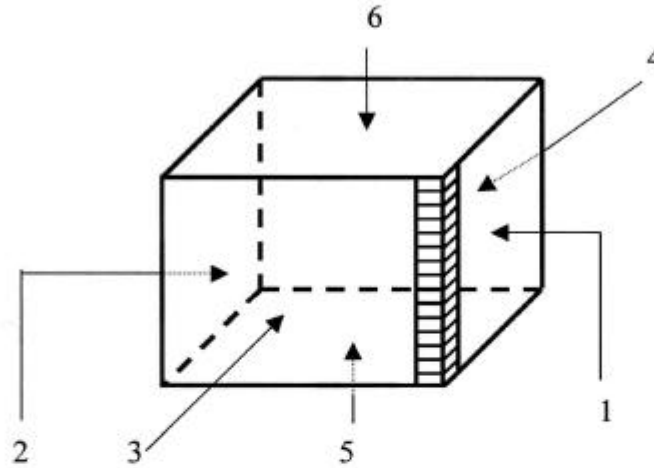
### DROP TEST SPECIFICATION :

- Drop Height : 61 cm
- Drop Onto : 1 corner, 3edge & 6 face

### TEST RESULT :

- Function check : Normal

## TESTING / INSPECTION REPORT



1	The 1-3-5 Corner	Corner
2	The shortest edge radiating from that corner	Edge
3	The next longest edge radiating from that corner	Edge
4	The longest edge radiating from that corner	Edge
5	Flat on one of the smallest faces	Flat
6	Flat on one of the opposite small faces	Flat
7	Flat on one of the medium faces	Flat
8	Flat on one of the opposite medium faces	Flat
9	Flat on one of the largest faces	Flat
10	Flat on one of the opposite largest faces	Flat



KING DESIGN INDUSTRIAL CO., LTD.  
5F, NO. 3, LANE 94, TSAO TI WEI, SHEN KENG  
HSIANG, TAIPEI HSIEN, TAIWAN, R.O.C.

Reliability & Communication Testing Instruments

<http://www.instrument.com.tw>  
E-mail: [kingsgn@ms8.hinet.net](mailto:kingsgn@ms8.hinet.net)  
TEL: 886-2-2662-5100 FAX: 886-2-2662-3094

## TESTING / INSPECTION REPORT

### Testing photos Corner



## TESTING / INSPECTION REPORT

### Testing photos Edge



## TESTING / INSPECTION REPORT

### Testing photos Edge



## TESTING / INSPECTION REPORT

### Testing photos Face

