



KING DESIGN INDUSTRIAL CO., LTD.
5F, NO. 3, LANE 94, TSAO TI WEI, SHEN KENG
HSIANG, TAIPEI HSIEN, TAIWAN, R.O.C.

Reliability & Communication Testing Instruments

http://www.instrument.com.tw
E-mail: kingdsgn@ms8.hinet.net
TEL: 886-2-2662-5100 FAX: 886-2-2662-3094

TESTING / INSPECTION REPORT

DATE : July 17, 2000
REPORT NO : DT-000717-8

COMPANY : AAEON Technology Inc.
5F, No.135, Lane 235, Pao Chiao Rd.
Hsin-Tien City, Taipei, Taiwan, R. O. C.
TEL:886-2-8919-1234
FAX:886-2-8919-1049

SPECIMEN : Control Boxes & Chassis

TEST / INSPECTION ITEMS : Drop Test (See Page 2)

REMARKS :

- The results only apply to the device under test.
- This report is 7 pages, and no part of it may be abstracted or reproduced.
- Attached pages are controlling pulse of drop test.

| | |
|-------------------------------|-----------------------------------------|
| Test Engineer : <i>Ching</i> | |
| Approved by : <i>Dave Lee</i> | Laboratory Head : <i>2000.7.19 Hung</i> |





KING DESIGN INDUSTRIAL CO., LTD.
5F, NO. 3, LANE 94, TSAO TI WEI, SHEN KENG
HSIANG, TAIPEI HSIEN, TAIWAN, R.O.C.

Reliability & Communication Testing Instruments

<http://www.instrument.com.tw>
E-mail: kingsgn@ms8.hinet.net
TEL: 886-2-2662-5100 FAX: 886-2-2662-3094

TESTING / INSPECTION REPORT

TESTING EQUIPMENT :

- | | |
|---------------------------|-----------------------------------|
| 1.Drop Testing System | : KD-128A |
| 2.Controller | : KDMS12004 |
| 3.Measuring Accelerometer | : KISTLER 8793A500 (S/N: C119425) |

TEST ENVIRONMENT :

- | | |
|-------------|------------------------------|
| Temperature | : $20 \pm 2^{\circ}\text{C}$ |
| Humidity | : $70 \pm 20\% \text{RH}$ |

SPECIMEN :

- | | |
|----------|------------|
| Model | : AMB-2023 |
| Quantity | : 1 piece |

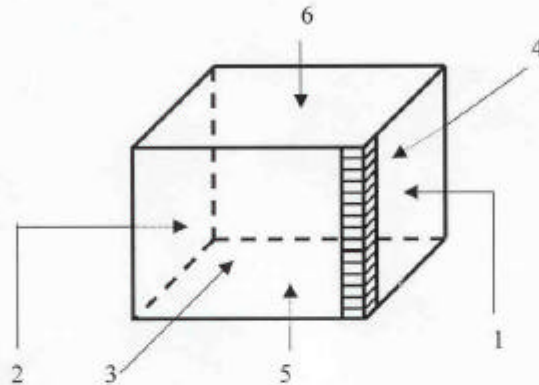
DROP TEST SPECIFICATION :

- | | |
|-------------|----------------------------|
| Drop Height | : 61 cm |
| Drop Onto | : 1 corner, 3edge & 6 face |

TEST RESULT :

- | | |
|----------------|----------|
| Function check | : Normal |
|----------------|----------|

TESTING / INSPECTION REPORT



| | | |
|----|--------------------------------------------------|--------|
| 1 | The 1-3-5 Corner | Corner |
| 2 | The shortest edge radiating from that corner | Edge |
| 3 | The next longest edge radiating from that corner | Edge |
| 4 | The longest edge radiating from that corner | Edge |
| 5 | Flat on one of the smallest faces | Flat |
| 6 | Flat on one of the opposite small faces | Flat |
| 7 | Flat on one of the medium faces | Flat |
| 8 | Flat on one of the opposite medium faces | Flat |
| 9 | Flat on one of the largest faces | Flat |
| 10 | Flat on one of the opposite largest faces | Flat |



KING DESIGN INDUSTRIAL CO., LTD.
5F, NO. 3, LANE 94, TSAO TI WEI, SHEN KENG
HSIANG, TAIPEI HSIEN, TAIWAN, R.O.C.

Reliability & Communication Testing Instruments

<http://www.instrument.com.tw>
E-mail: kingdsgn@ms8.hinet.net
TEL: 886-2-2662-5100 FAX: 886-2-2662-3094

TESTING / INSPECTION REPORT

Testing photos Corner





KING DESIGN INDUSTRIAL CO., LTD.
5F, NO. 3, LANE 94, TSAO TI WEI, SHEN KENG
HSIANG, TAIPEI HSIEN, TAIWAN, R.O.C.

Reliability & Communication Testing Instruments

<http://www.instrument.com.tw>
E-mail: kingdsgn@ms8.hinet.net
TEL: 886-2-2662-5100 FAX: 886-2-2662-3094

TESTING / INSPECTION REPORT

Testing photos Edge





KING DESIGN INDUSTRIAL CO., LTD.
5F, NO. 3, LANE 94, TSAO TI WEI, SHEN KENG
HSIANG, TAIPEI HSIEN, TAIWAN, R.O.C.

Reliability & Communication Testing Instruments

<http://www.instrument.com.tw>
E-mail: kingdsgn@ms8.hinet.net
TEL: 886-2-2662-5100 FAX: 886-2-2662-3094

TESTING / INSPECTION REPORT

Testing photos Edge





KING DESIGN INDUSTRIAL CO., LTD.
5F, NO. 3, LANE 94, TSAO TI WEI, SHEN KENG
HSIANG, TAIPEI HSIEN, TAIWAN, R.O.C.

Reliability & Communication Testing Instruments

<http://www.instrument.com.tw>
E-mail: kingdsgn@ms8.hinet.net
TEL: 886-2-2662-5100 FAX: 886-2-2662-3094

TESTING / INSPECTION REPORT

Testing photos Face

