



FCC 47 CFR PART 15 SUBPART B TEST REPORT

for

Railway Embedded Computer

MODEL: xAEV-6356x

(x - Where x may be any combination of alphanumeric characters or "-" or blank)

Test Report Number:

T131209D07-F

Issued to:

AAEON Technology Inc.

**5F, No.135, Lane 235, Pao Chiao Rd, Hsin-Tien Dist.,
New Taipei City, Taiwan, R.O.C.**

Issued by:

Compliance Certification Services Inc.

Xindian Lab.

**No.163-1, Jhongsheng Rd., Xindian Dist.,
New Taipei City, 23151 Taiwan.**

TEL: 886-2-22170894

FAX: 886-2-22171029

Issued Date: February 14, 2014



Note: This report shall not be reproduced except in full, without the written approval of Compliance Certification Services Inc. This document may be altered or revised by Compliance Certification Services Inc. personnel only, and shall be noted in the revision section of the document. The client should not use it to claim product endorsement by TAF, A2LA, NIST or any government agencies. The test results in the report only apply to the tested sample.



Revision History

| Rev. | Issue Date | Revisions | Effect Page | Revised By |
|------|-------------------|---------------|-------------|------------|
| 00 | February 14, 2014 | Initial Issue | ALL | Wendy Wang |
| | | | | |
| | | | | |
| | | | | |



TABLE OF CONTENTS

| | | |
|--|--|-------------|
| 1 | TEST RESULT CERTIFICATION..... | 4 |
| 2 | EUT DESCRIPTION | 5 |
| 3 | TEST METHODOLOGY | 6 |
| 3.1. | DECISION OF FINAL TEST MODE..... | 6 |
| 3.2. | EUT SYSTEM OPERATION | 6 |
| 4 | SETUP OF EQUIPMENT UNDER TEST | 7 |
| 4.1. | DESCRIPTION OF SUPPORT UNITS | 7 |
| 4.2. | CONFIGURATION OF SYSTEM UNDER TEST | 8 |
| 5 | FACILITIES AND ACCREDITATIONS | 9 |
| 5.1. | FACILITIES | 9 |
| 5.2. | ACCREDITATIONS..... | 9 |
| 5.3. | MEASUREMENT UNCERTAINTY..... | 9 |
| 6 | CONDUCTED EMISSION MEASUREMENT | 10 |
| 6.1. | LIMITS OF CONDUCTED EMISSION MEASUREMENT | 10 |
| 6.2. | TEST INSTRUMENTS | 10 |
| 6.3. | TEST PROCEDURES..... | 11 |
| 6.4. | TEST SETUP | 12 |
| 6.5. | DATA SAMPLE | 12 |
| 6.6. | TEST RESULTS..... | 13 |
| 7 | RADIATED EMISSION MEASUREMENT | 15 |
| 7.1. | LIMITS OF RADIATED EMISSION MEASUREMENT..... | 15 |
| 7.2. | TEST INSTRUMENTS | 17 |
| 7.3. | TEST PROCEDURES..... | 18 |
| 7.4. | TEST SETUP | 19 |
| 7.5. | DATA SAMPLE | 20 |
| 7.6. | TEST RESULTS..... | 21 |
| 8 | PHOTOGRAPHS OF THE TEST CONFIGURATION | 24 |
| APPENDIX 1 - PHOTOGRAPHS OF EUT | | A1-1 |



1 TEST RESULT CERTIFICATION

Product: Railway Embedded Computer

Model: xAEV-6356x
(x - Where x may be any combination of alphanumeric characters or "-" or blank)

Brand: AAEMON

Applicant: **AAEON Technology Inc.**
5F, No.135, Lane 235, Pao Chiao Rd, Hsin-Tien Dist.,
New Taipei City, Taiwan, R.O.C.

Manufacturer: **AAEON Technology Inc.**
5F, No.135, Lane 235, Pao Chiao Rd, Hsin-Tien Dist.,
New Taipei City, Taiwan, R.O.C.

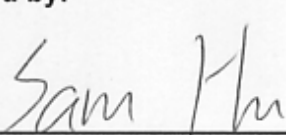
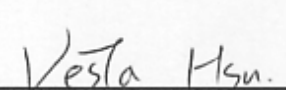
Tested: February 7, 2014 ~ February 14, 2014

| EMISSION | | | |
|---|------------------------|--------|--------------------|
| Standard | Item | Result | Remarks |
| FCC 47 CFR Part 15 Subpart B, ICES-003 Issue 5-2012 ANSI C63.4-2009 | Conducted (Power Port) | PASS | Meet Class A limit |
| | Radiated | PASS | Meet Class A limit |

- Note:**
1. The statements of test result on the above are decided by the request of test standard only; the measurement uncertainties are not factored into this compliance determination.
 2. The information of measurement uncertainty is available upon the customer's request.

| Deviation from Applicable Standard |
|------------------------------------|
| None |

The above equipment has been tested by Compliance Certification Services Inc., and found compliance with the requirements set forth in the technical standards mentioned above. The results of testing in this report apply only to the product/system, which was tested. Other similar equipment will not necessarily produce the same results due to production tolerance and measurement uncertainties.

| | |
|--|---|
| <p>Approved by:</p>  <hr/> <p>Sam Hu Assistant Manager</p> | <p>Reviewed by:</p>  <hr/> <p>Vesta Hsu Supervisor of report document dept.</p> |
|--|---|



2 EUT DESCRIPTION

| | |
|--------------------------------|---|
| Product | Railway Embedded Computer |
| Brand Name | AAEON |
| Model | xAEV-6356x (x - Where x may be any combination of alphanumeric characters or "-" or blank) |
| Applicant | AAEON Technology Inc. |
| Housing material | Metal case |
| Identify Number | T131209D07 |
| Received Date | December 9, 2014 |
| EUT Power Rating | 19VDC from AC Adaptor |
| AC Power During Test | 120VAC / 60Hz to AC Adaptor |
| AC Adaptor Manufacturer | SINPRO |
| AC Adaptor Model | SPU131-107 |
| AC Adaptor Power Rating | I/P: 100-240VAC, 47-63Hz, 1.58-0.64A O/P: 19VDC, 6.84A |
| DC Power Cord Type | Unshielded, 1.0m (Non-detachable, with a core) |
| OSC/Clock Frequencies | 32.768kHz; 25MHz; 48MHz |

Model Differences

| Model Name | Differences | Tested (Check) |
|-------------|--|-------------------------------------|
| AEV-6356-A1 | Original | <input checked="" type="checkbox"/> |
| xAEV-6356x | 1. For marketing purpose only. 2. x - Where x may be any combination of alphanumeric characters or "-" or blank | <input type="checkbox"/> |

I/O PORT

| I/O PORT TYPES | Q'TY | TESTED WITH |
|--------------------|------|-------------|
| 1. SIO Port | 4 | 4 |
| 2. VGA Port | 1 | 1 |
| 3. DVI Port | 1 | 1 |
| 4. Earphone Port | 1 | 1 |
| 5. Microphone Port | 1 | 1 |
| 6. USB 2.0 Port | 1 | 1 |
| 7. LAN Port | 2 | 2 |
| 8. USB 3.0 Port | 2 | 2 |
| 9. DIO Port | 2 | 2 |

Note: Client consigns only one model sample to test (Model Number: AEV-6356-A1).



3 TEST METHODOLOGY

3.1. DECISION OF FINAL TEST MODE

The EUT was tested together with the below additional components, and a configuration, which produced the worst emission levels, was selected and recorded in this report.

The test configuration mode is as the following:

Conduction Mode:

| | |
|---|--------------------|
| 1 | 1920X1080, VF=60Hz |
|---|--------------------|

Radiation Mode:

| | |
|---|-------------------------------|
| 1 | 1920X1080, VF=60Hz |
| | 1920X1080, VF=60Hz / 1-8.5GHz |

Worst:

Conduction: Mode 1

Radiation: Mode 1

3.2. EUT SYSTEM OPERATION

1. Windows 7 boots system.
2. Run Emctest.exe to activate all peripherals and display “H” pattern on monitor screen.
3. Run Winemc.exe and choose media player to play music.
4. Run Winemc.exe then choose “E:/ & F:” to test USB 3.0 port.
5. Press the start menu, select executive and type ping 192.168.0.2&4 -t (EUT), ping 192.168.0.1 -t (Server PC).

Note: Test program is self-repeating throughout the test.



4 SETUP OF EQUIPMENT UNDER TEST

4.1. DESCRIPTION OF SUPPORT UNITS

The EUT has been tested as an independent unit together with other necessary accessories or support units. The following support units or accessories were used to form a representative test configuration during the tests.

EUT Devices:

| No. | Equipment | Model No. | Brand Name |
|-----|--------------------------|--|------------|
| 1 | Main Board | xPBA-QM77x x - Where x may be any combination of alphanumeric characters or "-" or blank. | AAEON |
| 2 | CPU (1.7GHz) | Core i7 - 3517UE | Intel |
| 3 | SSD (InnoLite II 2.5") | SATA SSD 16GB WT | INNODISK |
| 4 | Memory (4GB / DDR3 1066) | SEC K4B2G0846C | DSL |

Note: Client consigns only one model sample to test (Main Board Model Number: PBA-QM77-A10).

Peripherals Devices:

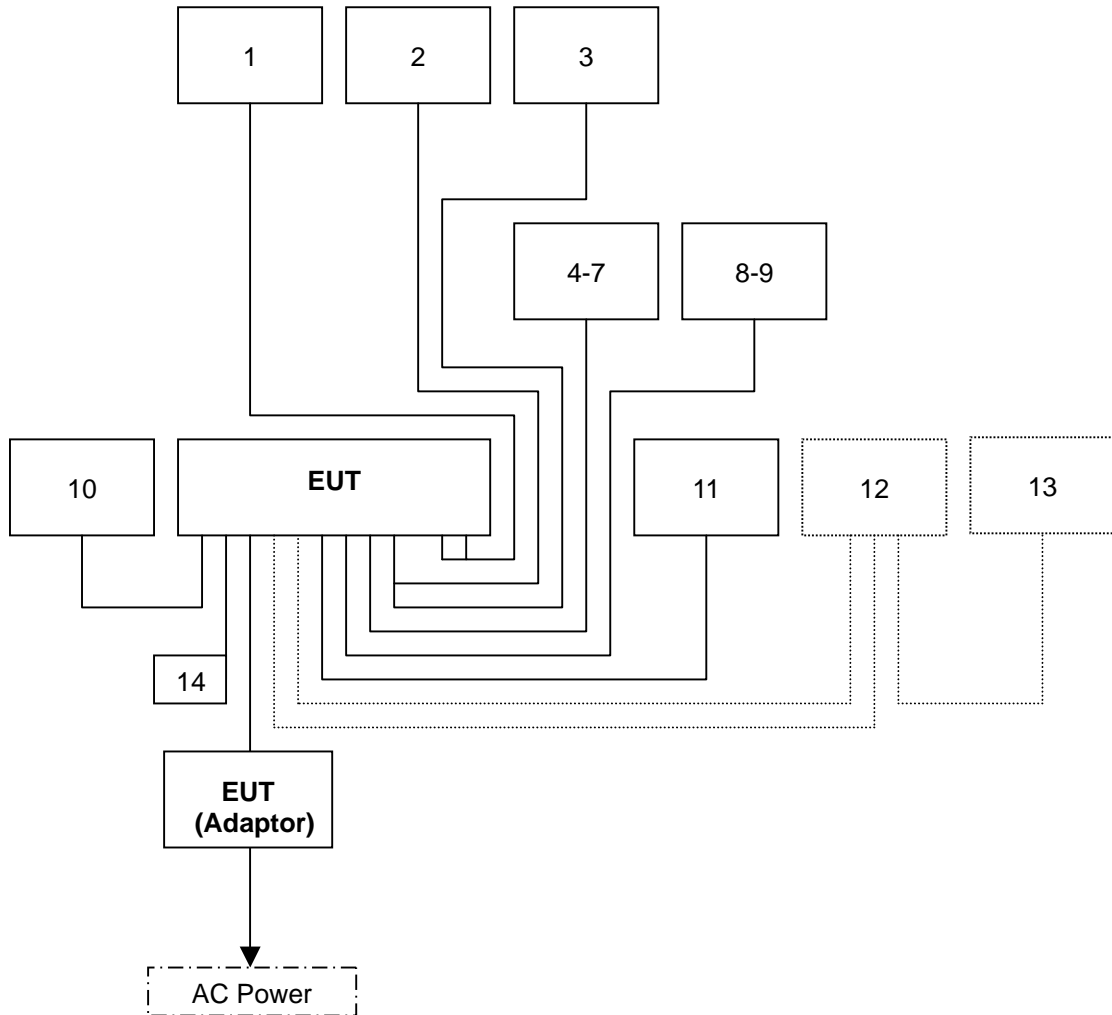
| No. | Equipment | Model No. | Serial No. | FCC ID / BSMI ID | Brand Name | Data Cable | Power Cord |
|-----|-----------------------|-----------|------------|------------------|------------|-------------------------------|------------------------------|
| 1 | Earphone & Microphone | MIC-5 | N/A | N/A | SCE | Unshielded, 1.8m | N/A |
| 2 | USB Mouse | KB-0316 | N/A | DOC BSMI: R33001 | hp | Shielded, 1.8m | N/A |
| 3 | USB Keyboard | N/A | 390938-001 | N/A | hp | Shielded, 1.8m | N/A |
| 4-7 | Modem | AL-56ERM | N/A | DOC | GALILEO | Shielded, 1.0m | Unshielded, 1.8m with a core |
| 8-9 | USB 3.0 HDD | HD-EG5 | N/A | DOC BSMI: R33021 | SONY | Shielded, 0.5 m | N/A |
| 10 | Monitor | U2412MD | N/A | DOC BSMI: R33002 | DELL | Shielded, 1.8m with two cores | Unshielded, 1.8m |
| 11 | Monitor | ZR2440W | N/A | DOC BSMI: R33001 | hp | Shielded, 1.8m with two cores | Unshielded, 1.8m |
| 12 | HUB | DGS-1008D | N/A | N/A | D-Link | Unshielded, 20m x2 | Unshielded, 1.8m |
| 13 | Server PC | T3500 | 8X36VBX | DOC BSMI: R33002 | DELL | Unshielded, 1.0m | Unshielded, 1.8m |
| 14 | DIO Cable | N/A | N/A | N/A | N/A | Unshielded, 1.8m x2 | N/A |

Note:

- 1) All the equipment/cables were placed in the worst-case configuration to maximize the emission during the test.
- 2) Grounding was established in accordance with the manufacturer's requirements and conditions for the intended use.



4.2. CONFIGURATION OF SYSTEM UNDER TEST





5 FACILITIES AND ACCREDITATIONS

5.1. FACILITIES

All measurement facilities used to collect the measurement data are located at CCSrf Taiwan Xindian Lab. at No.163-1, Jhongsheng Rd., Xindian Dist., New Taipei City, 23151 Taiwan.

The sites are constructed in conformance with the requirements of ANSI C63.4 and CISPR Publication 22. All receiving equipment conforms to CISPR 16-1-1, CISPR 16-1-2, CISPR 16-1-3, CISPR 16-1-4 and CISPR 16-1-5.

5.2. ACCREDITATIONS

Our laboratories are accredited and approved by the following accreditation body according to ISO/IEC 17025.

| | |
|--------|------|
| Taiwan | TAF |
| USA | A2LA |

The measuring facility of laboratories has been authorized or registered by the following approval agencies.

| | |
|--------|-----------------|
| Canada | Industry Canada |
| Norway | Nemko |
| Japan | VCCI |
| Taiwan | BSMI |
| USA | FCC |

Copies of granted accreditation certificates are available for downloading from our web site, <http://www.ccsrf.com>

5.3. MEASUREMENT UNCERTAINTY

Where relevant, the following measurement uncertainty levels have been estimated for tests performed on the EUT as specified in CISPR 16-4-2:

| Measurement | Frequency | Uncertainty |
|---------------------|---------------------|-------------|
| Conducted emissions | 0.15MHz ~ 30MHz | ± 1.56 |
| Radiated emissions | 30MHz ~ 1000MHz | ± 3.88 |
| | 1000MHz ~ 18000MHz | ± 3.23 |
| | 18000MHz ~ 26000MHz | ± 3.07 |
| | 26000MHz ~ 40000MHz | ± 3.42 |

This uncertainty represents an expanded uncertainty expressed at approximately the 95% confidence level using a coverage factor of k=2.

Consistent with industry standard (e.g. CISPR 22: 2005, clause 11, Measurement Uncertainty) determining compliance with the limits shall be base on the results of the compliance measurement. Consequently the measure emissions being less than the maximum allowed emission result in this be a compliant test or passing test.

The acceptable measurement uncertainty value without requiring revision of the compliance statement is base on conducted and radiated emissions being less than U_{CISPR} which is 3.6dB and 5.2dB respectively. CCS values (called U_{Lab} in CISPR 16-4-2) is less than U_{CISPR} as shown in the table above. Therefore, MU need not be considered for compliance.



6 CONDUCTED EMISSION MEASUREMENT

6.1. LIMITS OF CONDUCTED EMISSION MEASUREMENT

| FREQUENCY (MHz) | Class A (dBuV) | | Class B (dBuV) | |
|-----------------|----------------|---------|----------------|---------|
| | Quasi-peak | Average | Quasi-peak | Average |
| 0.15 - 0.5 | 79 | 66 | 66 - 56 | 56 - 46 |
| 0.50 - 5.0 | 73 | 60 | 56 | 46 |
| 5.0 - 30.0 | 73 | 60 | 60 | 50 |

NOTE:

- (1) The lower limit shall apply at the transition frequencies.
- (2) The limit decreases in line with the logarithm of the frequency in the range 0.15 to 0.50 MHz.
- (3) All emanations from a class A/B digital device or system, including any network of conductors and apparatus connected thereto, shall not exceed the level of field strengths specified above.

6.2. TEST INSTRUMENTS

| Conducted Emission room # A | | | | |
|-----------------------------|--------------|-----------|---------------|-----------------|
| Name of Equipment | Manufacturer | Model | Serial Number | Calibration Due |
| TEST RECEIVER | R&S | ESCI | 101201 | 09/15/2014 |
| LISN (EUT) | SCHWARZBECK | NSLK 8127 | 8127527 | 12/12/2014 |
| LISN | SCHWARZBECK | NSLK 8127 | 8127526 | 12/12/2014 |
| BNC CABLE | EMCI | 5Dr | BNC A7 | 04/21/2014 |
| Pulse Limiter | R&S | ESH3-Z2 | C3010026-2 | 09/05/2014 |
| THERMO-HYGRO METER | WISEWIND | 201A | No. 02 | 05/14/2014 |
| Test S/W | EZ-EMC | | | |

- NOTE:** 1. The calibration interval of the above test instruments is 12 months and the calibrations are traceable to NML/ROC and NIST/USA.
 2. N.C.R = No Calibration Request.



6.3. TEST PROCEDURES (please refer to measurement standard or CCS SOP PA-031)

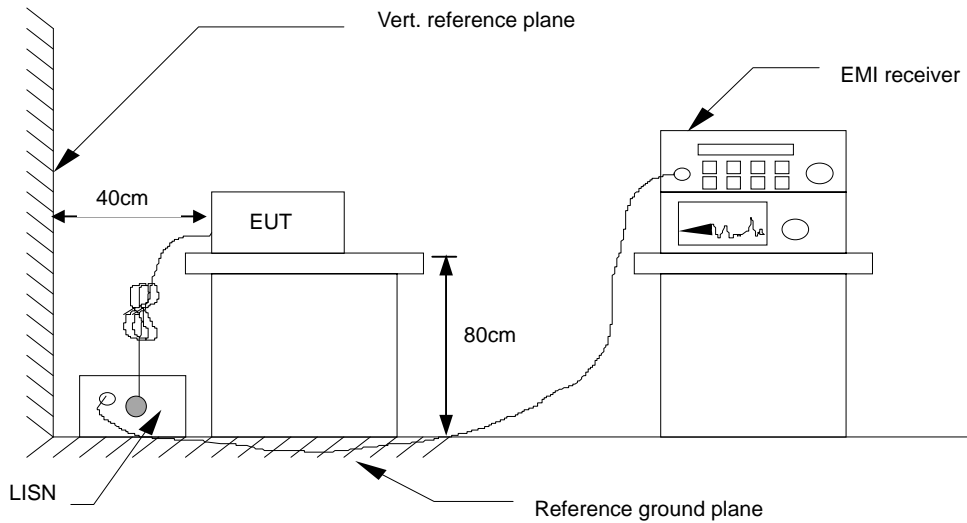
Procedure of Preliminary Test

- The EUT and support equipment, if needed, were set up as per the test configuration to simulate typical usage per the user's manual. When the EUT is a tabletop system, a wooden table with a height of 0.8 meters is used and is placed on the ground plane as per ANSI C63.4 (see Test Facility for the dimensions of the ground plane used). When the EUT is a floor standing equipment, it is placed on the ground plane, which has a 12 mm non-conductive covering to insulate the EUT from the ground plane.
- All I/O cables were positioned to simulate typical actual usage as per ANSI C63.4.
- The test equipment EUT installed by AC 120VAC/60Hz main power, through a Line Impedance Stabilization Network (LISN), which was supplied power source and was grounded to the ground plane.
- All support equipment power by from a second LISN.
- The test program of the EUT was started. Emissions were measured on each current carrying line of the EUT using an EMI Test Receiver connected to the LISN powering the EUT.
- The Receiver scanned from 150kHz to 30MHz for emissions in each of the test modes.
- During the above scans, the emissions were maximized by cable manipulation.
- The test mode(s) described in Item 3.1 were scanned during the preliminary test.
- After the preliminary scan, we found the test mode described in Item 3.1 producing the highest emission level.
- The worst configuration of EUT and cable of the above highest emission level were recorded for reference of the final test.

Procedure of Final Test

- EUT and support equipment were set up on the test bench as per the configuration with highest emission level in the preliminary test.
- A scan was taken on both power lines, Line 1 and Line 2, recording at least the six highest emissions. Emission frequency and amplitude were recorded into a computer in which correction factors were used to calculate the emission level and compare reading to the applicable limit.
- The test data of the worst-case condition(s) was recorded.

6.4. TEST SETUP



- For the actual test configuration, please refer to the related item – Photographs of the Test Configuration.

6.5. DATA SAMPLE

| Freq. (MHz) | Reading (dBuV) | Factor (dB) | Result (dBuV) | Limit (dBuV) | Margin (dB) | Detector (P/Q/A) | Line (L1/L2) |
|-------------|----------------|-------------|---------------|--------------|-------------|------------------|--------------|
| x.xx | 42.95 | 0.55 | 43.50 | 73 | -29.50 | Q | L1 |

- Freq. = Emission frequency in MHz
- Reading = Uncorrected Analyzer/Receiver reading
- Factor = Insertion loss of LISN + Cable Loss + Pulse Limit
- Result = Reading + Factor
- Limit = Limit stated in standard
- Margin = Reading in reference to limit
- P = Peak Reading
- Q = Quasi-peak Reading
- A = Average Reading
- L1 = Hot side
- L2 = Neutral side

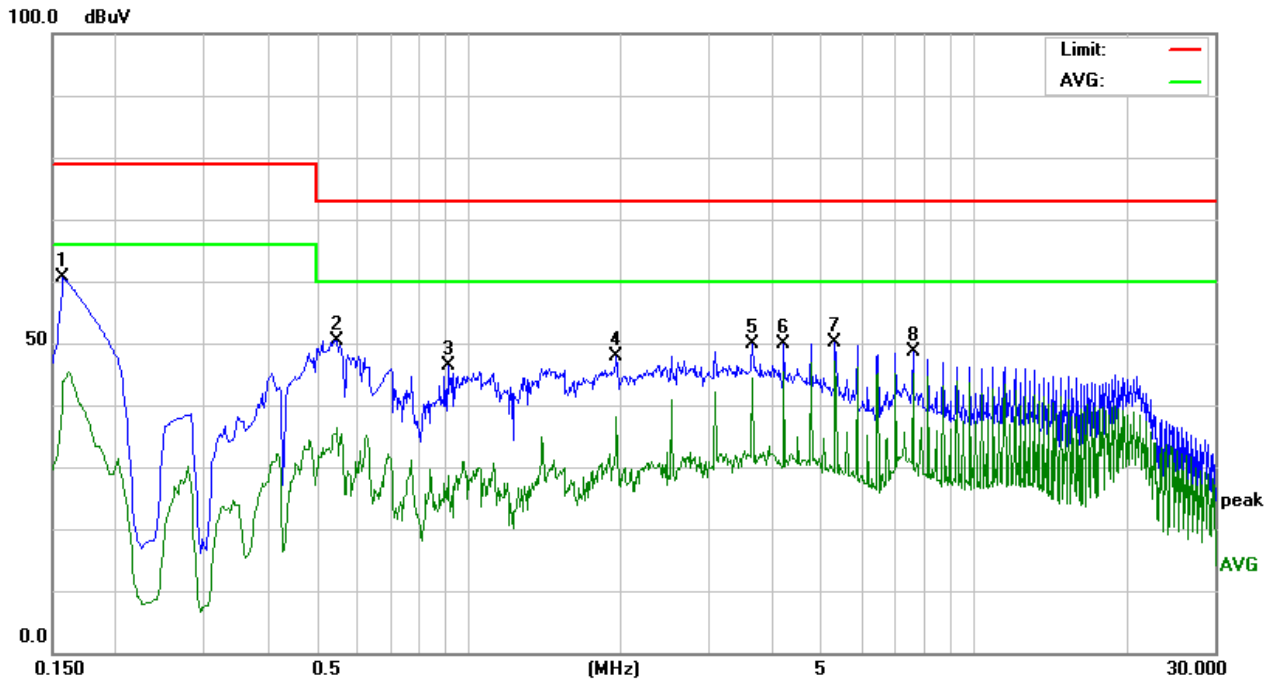
Calculation Formula

Margin (dB) = Result (dBuV) – Limit (dBuV)



6.6. TEST RESULTS

| | | | |
|---------------------------------|--------------|----------------------|--------|
| Model No. | AEV-6356-A1 | 6dB Bandwidth | 9 kHz |
| Environmental Conditions | 22°C, 55% RH | Test Mode | Mode 1 |
| Tested by | Pipo Hou | Phase | L1 |
| Standard | FCC CLASS A | | |

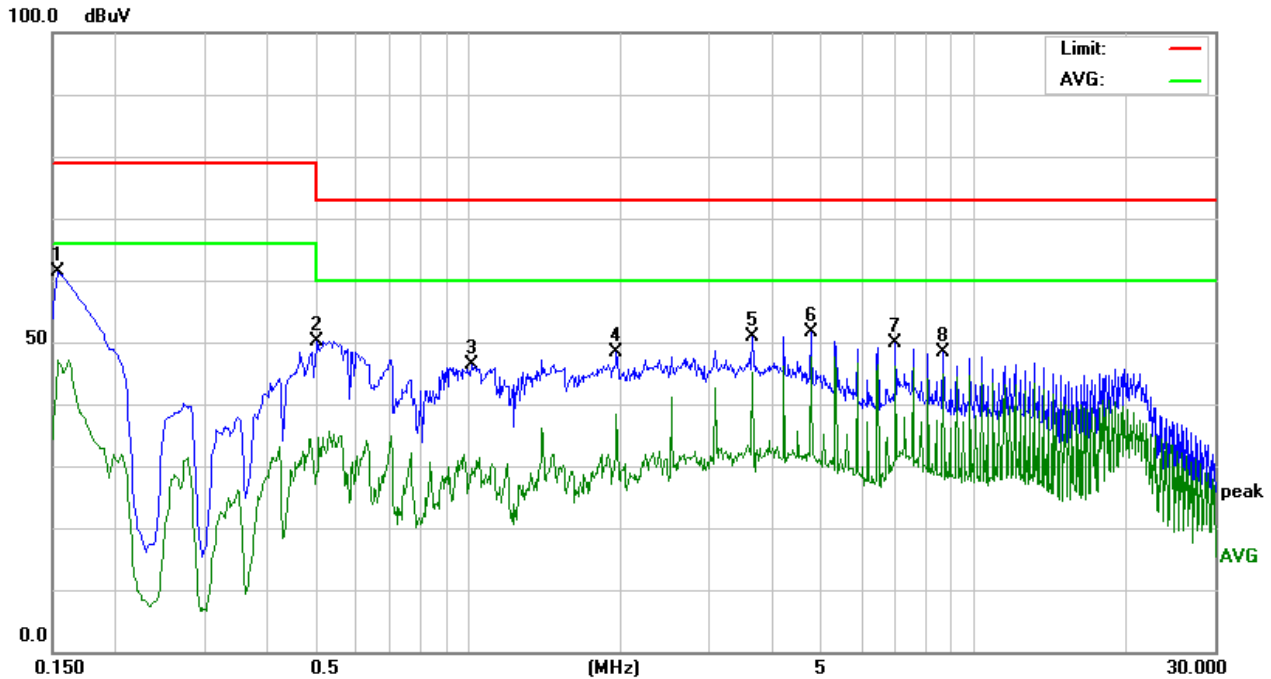


| Conducted Emission Readings | | | | | | | |
|------------------------------|----------------|-------------|---------------|-------------------|-------------|------------------|--------------|
| Frequency Range Investigated | | | | 150 kHz to 30 MHz | | | |
| Freq. (MHz) | Reading (dBuV) | Factor (dB) | Result (dBuV) | Limit (dBuV) | Margin (dB) | Detector (P/Q/A) | Line (L1/L2) |
| 0.1580 | 50.59 | 10.00 | 60.59 | 79.00 | -18.41 | P | L1 |
| 0.5500 | 40.48 | 10.01 | 50.49 | 73.00 | -22.51 | P | L1 |
| 0.9100 | 36.36 | 10.05 | 46.41 | 73.00 | -26.59 | P | L1 |
| 1.9620 | 37.77 | 10.15 | 47.92 | 73.00 | -25.08 | P | L1 |
| 3.6460 | 39.54 | 10.24 | 49.78 | 73.00 | -23.22 | P | L1 |
| 4.2100 | 39.64 | 10.26 | 49.90 | 73.00 | -23.10 | P | L1 |
| 5.3300 | 39.71 | 10.30 | 50.01 | 73.00 | -22.99 | P | L1 |
| 7.5740 | 38.15 | 10.37 | 48.52 | 73.00 | -24.48 | P | L1 |

Note: 1. L1 = Line One (Live Line) / L2 = Line Two (Neutral Line).
 2. The emission level was or more than 2dB below the Average limit, so no re-check anymore.



| | | | |
|---------------------------------|--------------|----------------------|--------|
| Model No. | AEV-6356-A1 | 6dB Bandwidth | 9 kHz |
| Environmental Conditions | 22°C, 55% RH | Test Mode | Mode 1 |
| Tested by | Pipo Hou | Phase | L2 |
| Standard | FCC CLASS A | | |



| Conducted Emission Readings | | | | | | | |
|------------------------------|----------------|-------------|---------------|-------------------|-------------|------------------|--------------|
| Frequency Range Investigated | | | | 150 kHz to 30 MHz | | | |
| Freq. (MHz) | Reading (dBuV) | Factor (dB) | Result (dBuV) | Limit (dBuV) | Margin (dB) | Detector (P/Q/A) | Line (L1/L2) |
| 0.1539 | 51.54 | 9.95 | 61.49 | 79.00 | -17.51 | P | L2 |
| 0.5020 | 40.29 | 9.94 | 50.23 | 73.00 | -22.77 | P | L2 |
| 1.0140 | 36.50 | 9.99 | 46.49 | 73.00 | -26.51 | P | L2 |
| 1.9620 | 38.37 | 10.06 | 48.43 | 73.00 | -24.57 | P | L2 |
| 3.6460 | 40.88 | 10.12 | 51.00 | 73.00 | -22.00 | P | L2 |
| 4.7700 | 41.56 | 10.14 | 51.70 | 73.00 | -21.30 | P | L2 |
| 7.0140 | 39.69 | 10.16 | 49.85 | 73.00 | -23.15 | P | L2 |
| 8.6980 | 38.10 | 10.18 | 48.28 | 73.00 | -24.72 | P | L2 |

Note: 1. L1 = Line One (Live Line) / L2 = Line Two (Neutral Line).
 2. The emission level was or more than 2dB below the Average limit, so no re-check anymore.



7 RADIATED EMISSION MEASUREMENT

7.1. LIMITS OF RADIATED EMISSION MEASUREMENT

Below 1GHz (for digital device)

| FREQUENCY (MHz) | dBuV/m (At 10m) | |
|-----------------|-----------------|---------|
| | Class A | Class B |
| 30 ~ 230 | 40 | 30 |
| 230 ~ 1000 | 47 | 37 |

Limit tables for non-digital device:

Class A Radiated Emission limit at 10m (for others)

| Frequency (MHZ) | Field Strength Limit (uV/m)Q.P. | Field Strength Limit (dBuV/m)Q.P. |
|-----------------|---------------------------------|-----------------------------------|
| 30 - 88 | 90 | 39 |
| 88 - 216 | 150 | 43.5 |
| 216 – 960 | 210 | 46.4 |
| Above 960 | 300 | 49.5 |

Class B Radiated Emission limit at 3m (for others)

| Frequency (MHZ) | Field Strength Limit (uV/m)Q.P. | Field Strength Limit (dBuV/m)Q.P. |
|-----------------|---------------------------------|-----------------------------------|
| 30 - 88 | 100 | 40 |
| 88 - 216 | 150 | 43.5 |
| 216 – 960 | 200 | 46 |
| Above 960 | 500 | 54 |

Above 1GHz(for all device)

| Frequency (MHZ) | Class A (dBuV/m) (At 10m) | | Class B (dBuV/m) (At 3m) | |
|-----------------|---------------------------|------|--------------------------|------|
| | Average | Peak | Average | Peak |
| Above 1000 | 49.5 | 69.5 | 54 | 74 |

- NOTE:** (1) The lower limit shall apply at the transition frequencies.
 (2) Emission level (dBuV/m) = 20 log Emission level (uV/m).
 (3) The measurement above 1GHz is at close-in distances 3m, and determine the limit **L2** corresponding to the close-in distance **d2** by applying the following relation: **L2 = L1 (d1/d2)**, where **L1** is the specified limit in microvolts per metre (**uV/m**) at the distance **d1 (10m)**, **L2** is the new limit for distance **d2 (3m)**.
 So the new Class A limit above 1GHz at 3m is as following table:

| Frequency (MHZ) | Class A (dBuV/m) (At 3m) | |
|-----------------|--------------------------|------|
| | Average | Peak |
| Above 1000 | 60 | 80 |



According to FCC Part 15.33 (b), for an unintentional radiator, including a digital device, the spectrum shall be investigated from the lowest radio frequency signal generated or used in the device, without going below the lowest frequency for which a radiated emission limit is specified, up to the frequency shown in the following table:

| Highest frequency generated or used in the device or on which the device operates or tunes (MHz) | Upper frequency of measurement range (MHz) |
|--|--|
| Below 1.705 | 30 |
| 1.705-108 | 1000 |
| 108-500 | 2000 |
| 500-1000 | 5000 |
| Above 1000 | 5 th harmonic of the highest frequency or 40GHz, whichever is lower |



7.2. TEST INSTRUMENTS

| Open Area Test Site # I | | | | |
|-----------------------------------|------------------|--------------------|---------------|-----------------|
| Name of Equipment | Manufacturer | Model | Serial Number | Calibration Due |
| MEASURE RECEIVER | R&S | ESCI | 101299 | 09/26/2014 |
| ANTENNA | SUNOL | JB1 | A100209-3 | 09/09/2014 |
| AMPLIFIER | SCHAFFNER | CPA9231A | 3626 | 10/06/2014 |
| CABLE | EMCI | 8Dr | N-TYPE #I5、I6 | 02/04/2015 |
| THERMO-HYGRO METER | WISEWIND | 201A | No. 03 | 06/10/2014 |
| Test S/W | EZ-EMC | | | |
| Above 1GHz Used | | | | |
| SPECTRUM ANALYZER (9kHz-30GHz) | R&S | FSP 30 | 100112 | 10/22/2014 |
| ANTENNA (1-18GHz) | ETS | 3117 | 00139062 | 10/31/2014 |
| AMPLIFIER (1-26.5GHz) | HP | 8449B | 3008A01266 | 12/15/2014 |
| CABLE (1-40GHz) | HUBER +SUHNER | SUCOFLEX 102 | 33106/2 | 12/15/2014 |
| CABLE (1-40GHz) | HUBER +SUHNER | SUCOFLEX 102 | 33633/2 | 12/15/2014 |
| CABLE (1-26.5GHz) | HUBER +SUHNER | SUCOFLEX 104PEA | 33960/4PEA | 12/15/2014 |
| THERMO-HYGRO METER | WISEWIND | 201A | No. 02 | 05/14/2014 |
| Test S/W | EZ-EMC | | | |

NOTE: 1. The calibration interval of the above test instruments is 12 months and the calibrations are traceable to NML/ROC and NIST/USA.

2. N.C.R = No Calibration Request.



7.3. TEST PROCEDURES (please refer to measurement standard or CCS SOP PA-031)

Procedure of Preliminary Test

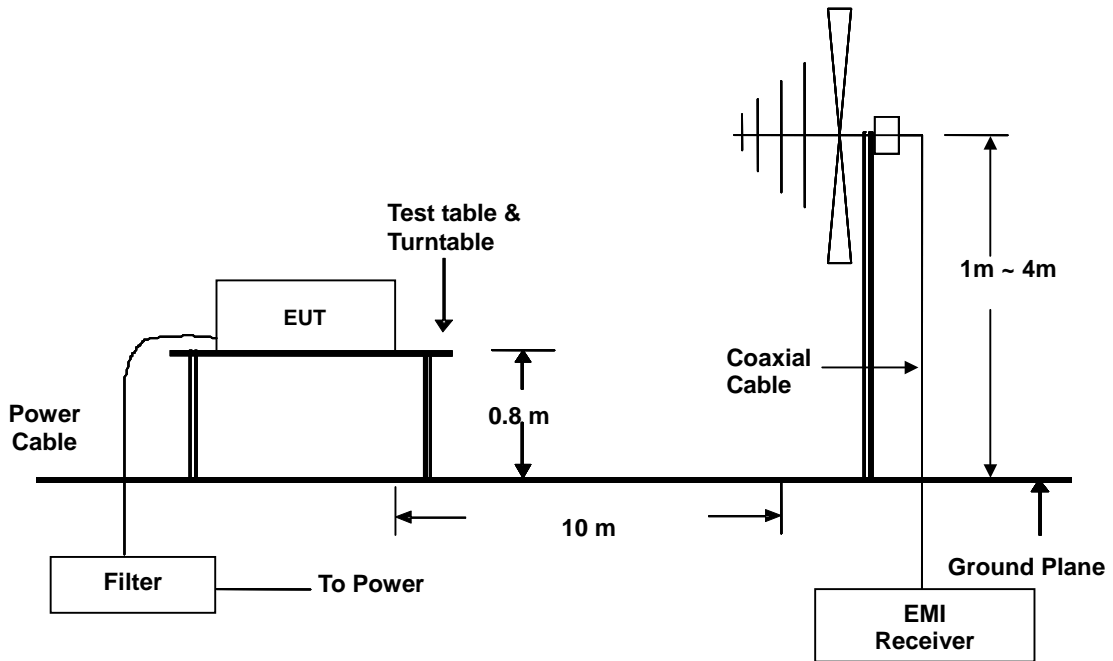
- The equipment was set up as per the test configuration to simulate typical usage per the user's manual. When the EUT is a tabletop system, a wooden turntable with a height of 0.8 meters is used which is placed on the ground plane. When the EUT is a floor standing equipment, it is placed on the ground plane which has a 12 mm non-conductive covering to insulate the EUT from the ground plane.
- Support equipment, if needed, was placed as per ANSI C63.4.
- All I/O cables were positioned to simulate typical usage as per ANSI C63.4.
- The EUT received AC 120VAC/60Hz power source from the outlet socket under the turntable. All support equipment power received from another socket under the turntable.
- The antenna was placed at 3 or 10 meter away from the EUT as stated in ANSI C63.4. The antenna connected to the Spectrum Analyzer via a cable and at times a pre-amplifier would be used.
- The Analyzer / Receiver quickly scanned from 30MHz to 40GHz. The EUT test program was started. Emissions were scanned and measured rotating the EUT to 360 degrees and positioning the antenna 1 to 4 meters above the ground plane, in both the vertical and the horizontal polarization, to maximize the emission reading level.
- The test mode(s) described in Item 3.1 were scanned during the preliminary test:
- After the preliminary scan, we found the test mode described in Item 3.1 producing the highest emission level.
- The worst configuration of EUT and cable of the above highest emission level were recorded for reference of the final test.

Procedure of Final Test

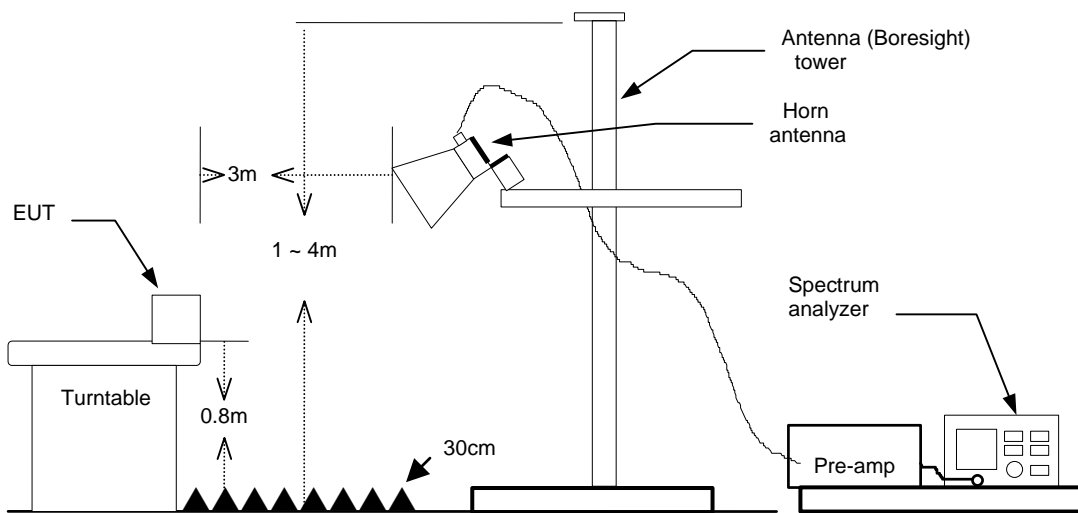
- EUT and support equipment were set up on the turntable as per the configuration with highest emission level in the preliminary test.
- The Analyzer / Receiver scanned from 30MHz to 40GHz. Emissions were scanned and measured rotating the EUT to 360 degrees, varying cable placement and positioning the antenna 1 or 1 to 4 meters above the ground plane, in both the vertical and the horizontal polarization, to maximize the emission reading level.
- Recording at least the six highest emissions. Emission frequency, amplitude, antenna position, polarization and turntable position were recorded into a computer in which correction factors were used to calculate the emission level and compare reading to the applicable limit. Below 1GHz the Q.P. reading and above 1GHz the Peak and Average reading are presented.
- The test data of the worst-case condition(s) was recorded.

7.4. TEST SETUP

Below 1GHz



Above 1GHz



- For the actual test configuration, please refer to the related item - Photographs of the Test Configuration.



7.5. DATA SAMPLE

Below 1GHz

| Freq. (MHz) | Reading (dBuV) | Factor (dB/m) | Result (dBuV/m) | Limit (dBuV/m) | Margin (dB) | Detector (P/Q) | Pol. (H/V) |
|-------------|----------------|---------------|-----------------|----------------|-------------|----------------|------------|
| x.xx | 14.0 | 12.2 | 26.2 | 40 | -13.8 | Q | H |

Above 1GHz

| Freq. (MHz) | Reading (dBuV) | Factor (dB/m) | Result (dBuV/m) | Limit (dBuV/m) | Margin (dB) | Detector (P/A) | Pol. (H/V) |
|-------------|----------------|---------------|-----------------|----------------|-------------|----------------|------------|
| x.xx | 42.95 | 0.55 | 43.50 | 60 | -16.50 | A | H |

- Freq. = Emission frequency in MHz
- Reading = Uncorrected Analyzer/Receiver reading
- Factor = Antenna Factor + Cable Loss - Amplifier Gain
- Result = Reading + Factor
- Limit = Limit stated in standard
- Margin = Reading in reference to limit
- P = Peak Reading
- Q = Quasi-peak Reading
- A = Average Reading
- H = Antenna Polarization: Horizontal
- V = Antenna Polarization: Vertical

Calculation Formula

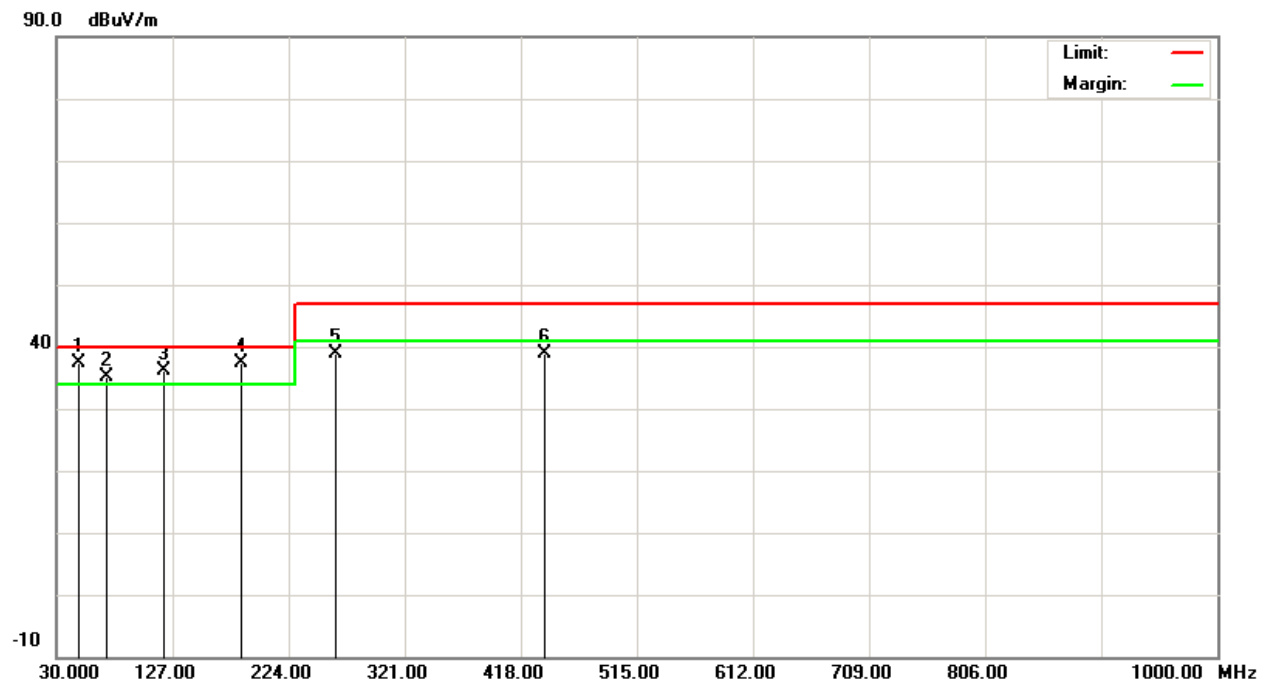
Margin (dB) = Result (dBuV/m) – Limit (dBuV/m)



7.6. TEST RESULTS

Below 1GHz

| | | | |
|---------------------------------|---------------------------------------|-------------------------|----------|
| Model No. | AEV-6356-A1 | Test Mode | Mode 1 |
| Environmental Conditions | 21°C, 57% RH | 6dB Bandwidth | 120 kHz |
| Antenna Pole | Vertical | Antenna Distance | 10m |
| Detector Function | Quasi-peak. | Tested by | Jim Lian |
| Standard | FCC CLASS A W/ CISPR 22 CLASS A LIMIT | | |

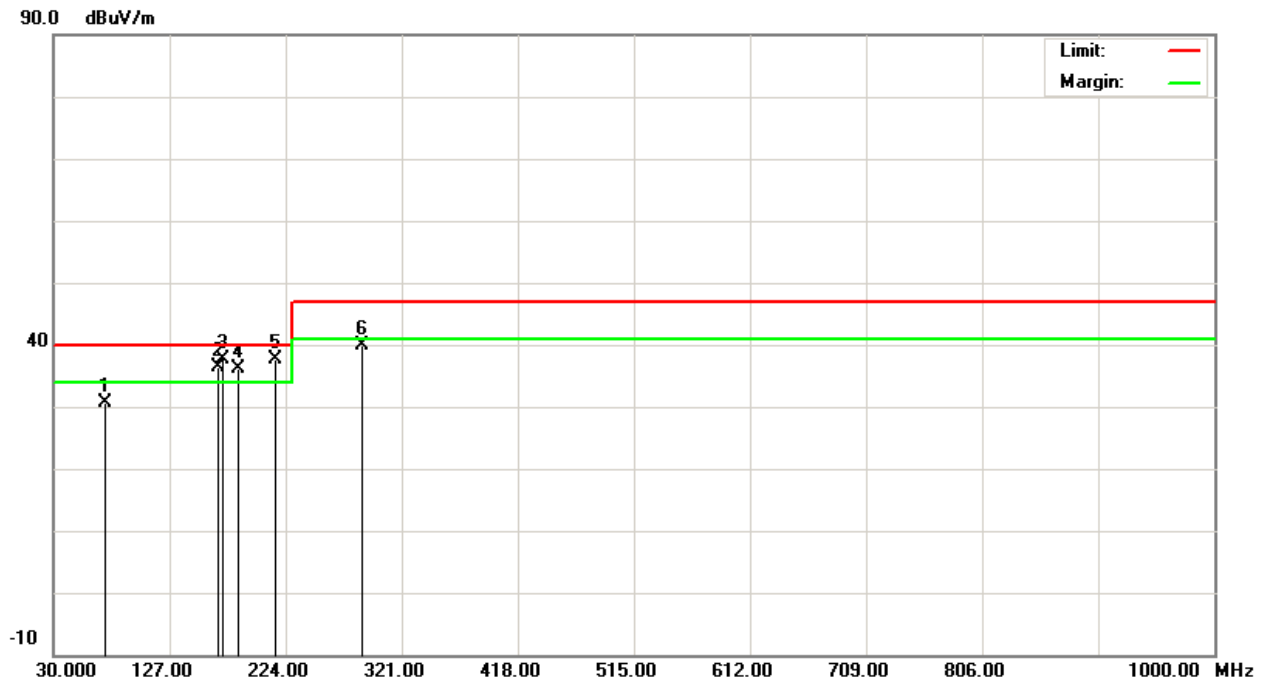


| Radiated Emission Readings | | | | | | | | | |
|------------------------------|----------------|---------------|-----------------|---------------------------|-------------|-------------|------------|----------------|------------|
| Frequency Range Investigated | | | | 30 MHz to 1000 MHz at 10m | | | | | |
| Freq. (MHz) | Reading (dBuV) | Factor (dB/m) | Result (dBuV/m) | Limit (dBuV/m) | Margin (dB) | Height (cm) | Degree (°) | Detector (P/Q) | Pol. (H/V) |
| 49.2599 | 57.50 | -20.05 | 37.45 | 40.00 | -2.55 | 100 | 275 | Q | V |
| 72.0119 | 55.10 | -19.85 | 35.25 | 40.00 | -4.75 | 100 | 155 | Q | V |
| 120.0060 | 50.30 | -14.10 | 36.20 | 40.00 | -3.80 | 100 | 233 | Q | V |
| 184.3640 | 53.00 | -15.55 | 37.45 | 40.00 | -2.55 | 100 | 174 | Q | V |
| 264.0660 | 53.50 | -14.57 | 38.93 | 47.00 | -8.07 | 100 | 325 | Q | V |
| 438.2600 | 48.50 | -9.60 | 38.90 | 47.00 | -8.10 | 400 | 47 | Q | V |

- Note:**
1. 30MHz to 1000MHz test is Applicable CISPR 22 standard.
 2. The other emission levels were very low against the limit.
 3. P= Peak Reading; Q= Quasi-peak Reading.



| | | | |
|---------------------------------|---------------------------------------|-------------------------|----------|
| Model No. | AEV-6356-A1 | Test Mode | Mode 1 |
| Environmental Conditions | 21°C, 57% RH | 6dB Bandwidth | 120 kHz |
| Antenna Pole | Horizontal | Antenna Distance | 10m |
| Detector Function | Quasi-peak. | Tested by | Jim Lain |
| Standard | FCC CLASS A W/ CISPR 22 CLASS A LIMIT | | |



| Radiated Emission Readings | | | | | | | | | |
|------------------------------|----------------|---------------|-----------------|---------------------------|-------------|-------------|------------|----------------|------------|
| Frequency Range Investigated | | | | 30 MHz to 1000 MHz at 10m | | | | | |
| Freq. (MHz) | Reading (dBuV) | Factor (dB/m) | Result (dBuV/m) | Limit (dBuV/m) | Margin (dB) | Height (cm) | Degree (°) | Detector (P/Q) | Pol. (H/V) |
| 73.8620 | 50.70 | -20.00 | 30.70 | 40.00 | -9.30 | 400 | 144 | Q | H |
| 168.0079 | 51.90 | -15.61 | 36.29 | 40.00 | -3.71 | 400 | 86 | Q | H |
| 172.0410 | 53.20 | -15.69 | 37.51 | 40.00 | -2.49 | 400 | 168 | Q | H |
| 184.3620 | 51.70 | -15.55 | 36.15 | 40.00 | -3.85 | 400 | 322 | Q | H |
| 216.0120 | 53.60 | -15.95 | 37.65 | 40.00 | -2.35 | 400 | 244 | Q | H |
| 288.0060 | 53.30 | -13.44 | 39.86 | 47.00 | -7.14 | 400 | 170 | Q | H |

Note: 1. 30MHz to 1000MHz test is Applicable CISPR 22 standard.
 2. The other emission levels were very low against the limit.
 3. P= Peak Reading; Q= Quasi-peak Reading.



Above 1GHz

| | | | |
|--|-----------------------|-------------------------|-------------|
| Model No. | AEV-6356-A1 | Test Mode | Mode 1 |
| Environmental Conditions | 16°C, 59% RH | 6dB Bandwidth | 1 MHz |
| Antenna Pole | Vertical / Horizontal | Antenna Distance | 3m |
| Highest frequency generated or used | 1700MHz | Upper frequency | 8500MHz |
| Detector Function | Peak and average. | Tested by | David Cheng |
| Standard | FCC CLASS A | | |

| Radiated Emission Readings | | | | | | | |
|-------------------------------------|----------------|---------------|-----------------|-------------------------|---------------|----------------|------------|
| Frequency Range Investigated | | | | Above 1GHz at 3m | | | |
| Freq. (MHz) | Reading (dBUV) | Factor (dB/m) | Result (dBUV/m) | Limit (dBUV/m) | Margin (dB) | Detector (P/A) | Pol. (H/V) |
| 1145.000 | 61.33 | -6.88 | 54.45 | 80.00 | -25.55 | P | V |
| 1635.000 | 59.85 | -5.24 | 54.61 | 80.00 | -25.39 | P | V |
| 1930.000 | 57.16 | -2.70 | 54.46 | 80.00 | -25.54 | P | V |
| 2225.000 | 55.78 | -1.64 | 54.14 | 80.00 | -25.86 | P | V |
| 2670.000 | 53.47 | -0.77 | 52.70 | 80.00 | -27.30 | P | V |
| 2995.000 | 55.63 | -0.22 | 55.41 | 80.00 | -24.59 | P | V |

| Radiated Emission Readings | | | | | | | |
|-------------------------------------|----------------|---------------|-----------------|-------------------------|---------------|----------------|------------|
| Frequency Range Investigated | | | | Above 1GHz at 3m | | | |
| Freq. (MHz) | Reading (dBUV) | Factor (dB/m) | Result (dBUV/m) | Limit (dBUV/m) | Margin (dB) | Detector (P/A) | Pol. (H/V) |
| 1040.000 | 60.47 | -7.02 | 53.45 | 80.00 | -26.55 | P | H |
| 1335.000 | 58.88 | -6.61 | 52.27 | 80.00 | -27.73 | P | H |
| 1630.000 | 58.28 | -5.27 | 53.01 | 80.00 | -26.99 | P | H |
| 2225.000 | 55.98 | -1.64 | 54.34 | 80.00 | -25.66 | P | H |
| 2690.000 | 55.94 | -0.74 | 55.20 | 80.00 | -24.80 | P | H |
| 2995.000 | 54.72 | -0.22 | 54.50 | 80.00 | -25.50 | P | H |

Note: 1. The other emission levels were very low against the limit.
 2. P= Peak Reading; A= Average Reading.



8 PHOTOGRAPHS OF THE TEST CONFIGURATION CONDUCTED EMISSION TEST





RADIATED EMISSION TEST

