

FCC CLASS A COMPLIANCE REPORT

for

Electromagnetic Emissions

of

IPC

Trade Name : N/A
Model Number : PCM-4897
Serial Number : N/A
Report Number : 000208-F
Date : MAY 5, 2000

Prepared for :

AAEON Technology Co., Ltd.
5F, No.135, Lane 235, Pao Chiao Rd. Hsin-Tien City,
Taipei, Taiwan, R.O.C.

Prepared by :



C&C LABORATORY, CO., LTD.

1st, Fl, No. 344, Fu Ching Street,

Taipei, Taiwan, R.O.C.

TEL: (02)2746-8584

FAX: (02)2763-2154

**This report shall not be reproduced, except in full, without the written approval of
C&C Laboratory, Co., Ltd.**

TABLE OF CONTENTS

DESCRIPTION	PAGE
VERIFICATION OF COMPLIANCE	3
SYSTEM DESCRIPTION	4
PRODUCT INFORMATION	5
SUPPORT EQUIPMENT	6
MEASUREMENT PROCEDURE & LIMIT (LINE CONDUCTED EMISSION TEST)	7
MEASUREMENT PROCEDURE & LIMIT (RADIATED EMISSION TEST)	9
SUMMARY DATA	12
APPENDIX 1 TEST FACILITY	17
APPENDIX 2 TEST EQUIPMENT	19
APPENDIX 3 BLOCK DIAGRAM OF TEST SETUP	23
APPENDIX 4 PHOTOGRAPHS (TEST SETUP OF LINE CONDUCTED EMISSION TEST)	25
APPENDIX 5 PHOTOGRAPHS (TEST SETUP OF RADIATED EMISSION TEST)	27
APPENDIX 6 PHOTOGRAPHS OF EUT	29



VERIFICATION OF COMPLIANCE

Equipment Under Test: IPC

Trade Name: N/A

Model Number: PCM-4897

Serial Number: N/A

Applicant: **AAEON Technology Co., Ltd.**
5F, No.135, Lane 235, Pao Chiao Rd. Hsin-Tien City,
Taipei, Taiwan, R.O.C.

Manufacturer: **AAEON Technology Co., Ltd.**
5F, No.135, Lane 235, Pao Chiao Rd. Hsin-Tien City,
Taipei, Taiwan, R.O.C.

Type of Test: FCC Class A

Measurement Procedure: ANSI C63.4: 1992

File Number: 000208-F

Date of test: April 26-28, 2000

Tested by: Gimmy Tsai

Deviation: According applicant declaration this EUT is a class A product, and to be marketed in industrial environment only.

Condition of Test Sample: Normal

The above equipment was tested by C&C Laboratory, Co., Ltd. for compliance with the requirements set forth in the FCC Rules and Regulations Part 15, Subpart B and the measurement procedure according to ANSI C63.4, 1992. This said equipment in the configuration described in this report shows the maximum emission levels emanating from equipment are within the compliance requirements.

The test results of this report relate only to the tested sample identified in this report.

Responsible Party

Authorized Signatory

Officer of the Responsible Party



SYSTEM DESCRIPTION

EUT Test Program:

1. EMI test program was loaded and executed in Windows 98 mode.
2. Data was sent to Monitor and TV and filling the screens with upper case of "H" patterns.
3. Test program sequentially exercised all related I/O's and accessories of EUT, and sent "H" patterns to all applicable output ports of EUT.
4. Repeat 2 to 3. Test program is self-repeating throughout the test.



PRODUCT INFORMATION

Housing Type:	Metal case	
EUT Power Rating:	100-127/200-240VAC, 50-60Hz, 4/2A	
AC Power during Test	120VAC/60Hz	
Power Supply Manufacturer:	Enhance	
Power Supply Model Number:	ENP-1815	
AC Power Cord Type:	Unshielded, 1.8m (Detachable)	
DC Power Cable Type:	N/A	
CPU Manufacture:	Intel	Type: Syrix Cxm 200MHz
OSC/Clock Frequencies:	33MHz	
Memory Capacity:		Install: 64MB
HDD Manufacturer:	Quntum	Model: Fireball ST3.2A
I/O Board Type:	On Board	
VGA Card Type:	Cyrix Cx5530	

I/O Port of EUT

I/O PORT TYPES	Q'TY	TESTED WITH
1). Parallel Port	1	1
2). Serial Port	4	2
3). Video Port	1	1
4). PS/2 Mouse Port	1	1
5). Microphone Port	1	1
6). LINE-IN Port	1	1
7). Earphone Port	1	1
8). TV-OUT Port (S Type)	1	1
9). Video-In Port (AV Type)	1	1
10).USB Port	2	2
11).AT Keyboard	1	1

Note: According to customer declaration, two of four serial ports (near the AC socket) is not available for this Model Number.



SUPPORT EQUIPMENT

No.	Equipment	Model #	Serial #	FCC ID	Trade Name	Data Cable	Power Cord
1	Monitor	GDM-17SE2T	7145529	AK8GDM17SE2T	SONY	Shielded, 1.8m with one core	Unshielded, 1.8m
2	Modem	2400	94-364-176272	DK467GSM24	Computer Peripherals	Shielded, 1.8m	Unshielded, 1.2m
3	Modem	2400SE	94-364-176282	DK467GSM24	Computer Peripherals	Shielded, 1.8m	Unshielded, 1.2m
4	Printer	C2642A	MY8251C3GQ	B94C2642X	HP	Shielded, 1.8m	AC I/P: Unshielded, 0.8m DC O/P: Unshielded, 1.2m
5	Walkman	YX-328	W7	N/A	YING-KO	Unshielded, 1.8m	N/A
6	Multimedia Headset	SX-M	A5-2	N/A	TOKYO	Unshielded, 1.8m	N/A
7	TV	21B4ST	62233362	N/A	TOSHIBA	S Cable: Unshielded, 1.8m AV Cable: Unshielded, 2.0m	N/A
8	USB Mouse	M-BB48	LZE93050187	DoC	LOGITECH	Shielded, 1.8m	N/A
9	USB Mouse	M-BB48	LZE93050165	DoC	LOGITECH	Shielded, 1.8m	N/A
10	PS/2 Mouse	M-S42	LZA85004186	DZL211106	Aopen	Shielded, 1.8m	N/A
11	AT Keyboard	5121	G78063181	E5XKBM104M10UC	SYNNEX	Shielded, 1.4m	N/A

Note: All the above equipment/cables were placed in worse case positions to maximize emission signals during emission test.

Grounding: Grounding was in accordance with the manufacturer's requirements and conditions for the intended use.



MEASUREMENT PROCEDURE (PRELIMINARY LINE CONDUCTED EMISSION TEST)

- 1) The equipment was set up as per the test configuration to simulate typical actual usage per the user's manual. When the EUT is a tabletop system, a wooden table with a height of 0.8 meters is used and is placed on the ground plane as per ANSI C63.4: 1992 (see Test Facility for the dimensions of the ground plane used). When the EUT is a floor-standing equipment, it is placed on the ground plane which has a 3-12 mm non-conductive covering to insulate the EUT from the ground plane.
- 2) Support equipment, if needed, was placed as per ANSI C63.4: 1992.
- 3) All I/O cables were positioned to simulate typical actual usage as per ANSI C63.4: 1992.
- 4) The EUT received AC power through a Line Impedance Stabilization Network (LISN) which supplied power source of 120VAC/60Hz and was grounded to the ground plane.
- 5) All support equipment received power from a second LISN supplying power of 110VAC/60Hz.
- 6) The EUT test program was started. Emissions were measured on each current carrying line of the EUT using a spectrum analyzer / Receiver connected to the LISN powering the EUT. The LISN has two monitoring points: Line 1 (Hot Side) and Line 2 (Neutral Side). Two scans were taken: one with Line 1 connected to Analyzer / Receiver and Line 2 connected to a 50 ohm load; the second scan had Line 1 connected to a 50 ohm load and Line 2 connected to the Analyzer / Receiver.
- 7) Analyzer / Receiver scanned from 150kHz to 30MHz for emissions in each of the test modes.
- 8) During the above scans, the emissions were maximized by cable manipulation.
- 9) The following test mode(s) were scanned during the preliminary test:

Mode(s):

1. 1024 x 768 (Monitor)
2. 800 x 600 (Monitor)
3. 640 x 480 (Monitor)
4. 1024 x 768 (Monitor + TV/S Input)
5. 1024 x 768 (Monitor + TV/AV Input)

- 10) After the preliminary scan, we found the following test mode(s) producing the highest emission level.

Mode(s): 4.

Then, the EUT configuration and cable configuration of the above highest emission level were recorded for reference of final testing.



MEASUREMENT PROCEDURE (FINAL LINE CONDUCTED EMISSION TEST)

- 1) EUT and support equipment was set up on the test bench as per step 10 of the preliminary test.
- 2) A scan was taken on both power lines, Line 1 and Line 2, recording at least the six highest emissions. Emission frequency and amplitude were recorded into a computer in which correction factors were used to calculate the emission level and compare reading to the applicable limit. If EUT emission level was less -2dB to the A.V. limit in Q.P. mode, then the emission signal was re-checked using an Average detector.
- 3) The test data of the worst case condition(s) was reported on the Summary Data page.

Data Sample:

Freq. MHz	Q.P. Raw dBuV	Average Raw dBuV	Q.P. Limit dBuV	Average Limit dBuV	Q.P. Margin dB	Average Margin dB	Note
x.xx	43.95	---	56	46	-12.05	---	L 1

- | | |
|------------|--|
| Freq. | = Emission frequency in MHz |
| Raw dBuV | = Uncorrected Analyzer/Receiver reading |
| Limit dBuV | = Limit stated in standard |
| Margin dB | = Reading in reference to limit |
| Note | = Current carrying line of reading |
| “---“ | = The emission level complied with the Average limits, with at least 2 dB margin, so no further recheck. |

LINE CONDUCTED EMISSION LIMIT

Frequency	Maximum RF Line Voltage	
	Q.P.	AVERAGE
150kHz-500kHz	79dBuV	66dBuV
500kHz-5MHz	73dBuV	60dBuV
5MHz-30MHz	73dBuV	60dBuV

Note: The lower limit shall apply at the transition frequency.



MEASUREMENT PROCEDURE (PRELIMINARY RADIATED EMISSION TEST)

- 1) The equipment was set up as per the test configuration to simulate typical actual usage per the user's manual. When the EUT is a tabletop system, a wooden turntable with a height of 0.8 meters is used which is placed on the ground plane as per ANSI C63.4: 1992 (see Test Facility for the dimensions of the ground plane used). When the EUT is a floor-standing equipment, it is placed on the ground plane which has a 3-12 mm non-conductive covering to insulate the EUT from the ground plane.
- 2) Support equipment, if needed, was placed as per ANSI C63.4: 1992.
- 3) All I/O cables were positioned to simulate typical actual usage as per ANSI C63.4: 1992.
- 4) The EUT received 120VAC/60Hz power source from the outlet socket under the turntable. All support equipment received 110VAC/60Hz power from another socket under the turntable.
- 5) The antenna was placed at 10 meter away from the EUT as stated in ANSI C63.4: 1992. The antenna connected to the analyzer via a cable and at times a pre-amplifier would be used.
- 6) The Analyzer quickly scanned from 30MHz to 2000MHz. The EUT test program was started. Emissions were scanned and measured rotating the EUT to 360 degrees and positioning the antenna 1 to 4 meters above the ground plane, in both the vertical and the horizontal polarization, to maximize the emission reading level.
- 7) The following test mode(s) were scanned during the preliminary test:

Mode(s):

1. 1024 x 768 (Monitor)
2. 800 x 600 (Monitor)
3. 640 x 480 (Monitor)
4. 1024 x 768 (Monitor + TV/S Input)
5. 1024 x 768 (Monitor + TV/AV Input)

- 8) After the preliminary scan, we found the following test mode(s) producing the highest emission level.

Mode(s): 4.

Then, the EUT and cable configuration, antenna position, polarization and turntable position of the above highest emission level were recorded for reference of final testing.



MEASUREMENT PROCEDURE (FINAL RAIDATED EMISSION TEST)

- 1) EUT and support equipment were set up on the turntable as per step 8 of the preliminary test.
- 2) The Analyzer / Receiver scanned from 30MHz to 2000MHz. Emissions were scanned and measured rotating the EUT to 360 degrees, varying cable placement and positioning the antenna 1 to 4 meters above the ground plane, in both the vertical and the horizontal polarization, to maximize the emission reading level.
- 3) Recorded at least the six highest emissions. Emission frequency, amplitude, were recorded into a computer (The antenna position, polarization and turntable position were kept in raw data file) in which correction factors were used to calculate the emission level and compare reading to the applicable limit.
- 4) The test data of the worst case condition(s) was reported on the Summary Data page.

Data Sample:

Freq. (MHz)	Raw Data (dBuV/m)	Corr. Factor (dB)	Emiss. Level (dBuV/m)	Limits	Margin (dB)
xx.xx	14.0	11.2	26.2	30	-3.8

Freq.	= Emission frequency in MHz
Raw Data (dBuV/m)	= Uncorrected Analyzer / Receiver reading
Corr. Factor (dB)	= Correction factors of antenna factor and cable loss
Emiss. Level	= Raw reading converted to dBuV/m and CF added
Limit dBuV/m	= Limit stated in standard
Margin dB	= Reading in reference to limit



RADIATED EMISSION LIMIT

Frequency (MHz)	Distance (m)	Maximum Field Strength Limit (dBuV/m)		
		Q.P.	AVERAGE	PEAK
30-230	10	40	/	/
230-1000	10	47	/	/
Above 1000	3	/	60	80

****Note:** “/” means the limit line is not applicable.



SUMMARY DATA (LINE CONDUCTED TEST)

Model Number: PCM-4897

Location: Site # 4

Tested by: Gimmy Tsai

Test Mode: Mode 4

Test Results: Passed

Temperature: 20°C

Humidity: 70%RH

(The chart below shows the highest readings taken from the final data)

FREQ MHz	Q.P. RAW dBuV	AVG RAW dBuV	Q.P. Limit dBuV	AVG Limit dBuV	Q.P. Margin dB	AVG Margin dB	NOTE
0.236	39.2	---	79.0	66.0	-39.8	---	L1
7.161	30.2	---	73.0	60.0	-42.8	---	L1
13.982	32.4	---	73.0	60.0	-40.6	---	L1
15.988	30.4	---	73.0	60.0	-42.6	----	L1
25.983	30.6	---	73.0	60.0	-42.4	---	L1
27.975	28.9	---	73.0	60.0	-44.1	---	L1
0.234	39.1	---	79.0	66.0	-39.9	---	L2
0.974	15.2	---	73.0	60.0	-57.8	---	L2
3.988	27.3	---	73.0	60.0	-45.7	---	L2
6.002	24.2	---	73.0	60.0	-48.8	---	L2
7.993	19.8	---	73.0	60.0	-53.2	---	L2
12.005	23.5	---	73.0	60.0	-49.5	---	L2

L1 = Line One (Hot side) / L2 = Line Two (Neutral side)

****NOTE: “---” denotes the emission level was less –2 dB to the Average limit, so no re-check anymore.**



SUMMARY DATA

(RADIATED EMISSION TEST)

Model Number:PCM-4897

Location: Site # 3

Tested by: Gimmy Tsai

Test Mode: Mode 4

Polar: Vertical -- 10m

Detector Function: Quasi-Peak

Test Results: Passed

Temperature: 20⁰C

Humidity: 70%RH

(The chart below shows the highest readings taken from the final data)

Freq. (MHz)	Raw Data (dBuV/m)	Corr. Factor (dB)	Emiss. Level (dBuV/m)	Limits	Margin (dB)
74.80	26.5	8.3	34.8	40.0	-5.2
146.81	23.2	13.8	37.0	40.0	-3.0
435.94	20.5	21.8	42.3	47.0	-4.7
502.96	21.5	23.3	44.8	47.0	-2.2
769.90	17.4	26.5	43.9	47.0	-3.1
869.93	14.4	27.6	42.0	47.0	-5.0



SUMMARY DATA

(RADIATED EMISSION TEST)

Model Number:PCM-4897

Location: Site # 3

Tested by: Gimmy Tsai

Test Mode: Mode 4

Polar: Horizontal -- 10m

Detector Function: Quasi-Peak

Test Results: Passed

Temperature: 20⁰C

Humidity: 70%RH

(The chart below shows the highest readings taken from the final data)

Freq. (MHz)	Raw Data (dBuV/m)	Corr. Factor (dB)	Emiss. Level (dBuV/m)	Limits	Margin (dB)
132.41	18.0	14.4	32.4	40.0	-7.6
147.38	15.5	13.7	29.2	40.0	-10.8
233.41	17.7	14.7	32.4	47.0	-14.6
403.54	20.9	20.9	41.8	47.0	-5.2
503.55	18.7	23.3	42.0	47.0	-5.0
520.40	8.6	23.9	32.5	47.0	-14.5



SUMMARY DATA

(RADIATED EMISSION TEST)

Model Number: PCM-4897 **Location:** 3 meter chamber

Tested by: Gimmy Tsai **Polar:** Vertical ---3 m

Test Mode: Mode 4.

Detector Function: Pk / A.V. **Test Results:** Passed

Temperature: 20°C **Humidity:** 68%RH

(The chart below shows the highest readings taken from the final data)

Freq. (MHz)	Raw Data (dBuV/m)	Corr. Factor (dB)	Emiss. Level (dBuV/m)	Limits (A.V.)	Margin (dB)
1006.00	16.8	27.0	43.8(Pk)	60	-16.2
1131.00	17.0	27.3	44.3(Pk)	60	-15.7
1206.00	16.1	27.5	43.6(Pk)	60	-16.4
1309.00	17.4	27.8	45.2(Pk)	60	-14.8
1474.00	15.4	28.3	43.7(Pk)	60	-16.3
1749.00	14.2	29.6	43.8(Pk)	60	-16.2

Note: In case of peak reading complied with the A.V. limit at least 2dB margin, no measurement with A.V. detector required.



SUMMARY DATA

(RADIATED EMISSION TEST)

Model Number: PCM-4897 **Location:** 3 meter chamber

Tested by: Gimmy Tsai **Polar:** Horizontal ---3 m

Test Mode: Mode 4.

Detector Function: Pk / A.V. **Test Results:** Passed

Temperature: 20°C **Humidity:** 68%RH

(The chart below shows the highest readings taken from the final data)

Freq. (MHz)	Raw Data (dBuV/m)	Corr. Factor (dB)	Emiss. Level (dBuV/m)	Limits (A.V.) ()	Margin (dB)
1006.00	17.6	27.0	44.6(Pk)	60	-15.4
1343.00	14.4	27.9	42.3(Pk)	60	-17.7
1406.00	14.2	28.1	42.3(Pk)	60	-17.7
1491.00	14.3	28.3	42.6(Pk)	60	-17.4
1731.00	11.3	29.5	40.8(Pk)	60	-19.2

Note: In case of peak reading complied with the A.V. limit at least 2dB margin, no measurement with A.V. detector required.



APPENDIX 1

TEST FACILITY



TEST FACILITY

- Location:** No. 15, 14 Line, Chin Twu Chi, Lu Chu Hsiang, Taoyuan, Taiwan, R.O.C.
- Description:** There are three 3/10m open area test sites and three line conducted labs for final test, and one 3/10m open area test site for engineering lab. The Open Area Test Sites and the Line Conducted labs are constructed and calibrated to meet the FCC requirements in documents ANSI C63.4: 1992 and CISPR 22/EN 55022 requirements.
- Site Filing:** A site description is on file with the Federal Communications Commission, 7435 Oakland Mills Road, Columbia, MD 21046.
- Registration also was made with Voluntary Control Council for Interference (VCCI).
- Site Accreditation:** Accredited by NEMKO (Authorization #: ELA 124) for EMC & A2LA (Certificate #: 824.01) for Emission
- Also accredited by BSMI for the product category of Information Technology Equipment.
- Instrument Tolerance:** All measuring equipment is in accord with ANSI C63.4 and CISPR 22 requirements that meet industry regulatory agency and accreditation agency requirement.
- Ground Plane:** Two conductive reference ground planes were used during the Line Conducted Emission, one in vertical and the other in horizontal. The dimensions of these ground planes are as below. The vertical ground plane was placed distancing 40 cm to the rear of the wooden test table on where the EUT and the support equipment were placed during test. The horizontal ground plane projected 50 cm beyond the footprint of the EUT system and distanced 80 cm to the wooden test table. For Radiated Emission Test, one horizontal conductive ground plane extended at least 1m beyond the periphery of the EUT and the largest measuring antenna, and covered the entire area between the EUT and the antenna. It has no holes or gaps having longitudinal dimensions larger than one-tenth of a wavelength at the highest frequency of measurement up to 1GHz.
- Site # 1 & # 3 Line Conducted Test Site:** Vertical ground plane (2.2m x 2.2m)
Horizontal ground plane (2.5m x 2.5m)
- Site # 4 Line Conducted Test Site:** At Shielding Room



APPENDIX 2

TEST EQUIPMENT



TEST EQUIPMENT LIST

Instrumentation: The following list contains equipment used at C & C Laboratory, Co., Ltd. for testing. The equipment conforms to the CISPR 16-1 / ANSI C63.2-1988 Specifications for Electromagnetic Interference and Field Strength Instrumentation from 10kHz to 1.0 / 2.0 GHz.

Equipment used during the tests:

Open Area Test Site: # 1 ; # 3 ; # 4

Open Area Test Site # 1					
EQUIPMENT TYPE	* MFR	MODEL NUMBER	SERIAL NUMBER	LAST CAL.	CAL. DUE
Spectrum Analyzer	ADVANTEST	R3261A	N/A	03/08/2000	03/07/2001
EMI Test Receiver	R&S	ESCS30	847793/012	11/06/1999	11/05/2000
PRE-AMP.	HP	8447F	2944A03748	10/22/1999	10/21/2000
Precision Dipole	R&S	HZ-12	846932/0004	06/16/1999	06/16/2000
Precision Dipole	R&S	HZ-13	846556/0008	06/16/1999	06/16/2000
Bilog Antenna	CHASE	CBL6112A	2309	02/13/2000	02/12/2001
Turn Table	EMCO	2081-1.21	N/A	N.C.R	N.C.R
Antenna Tower	EMCO	2075-2	9707-2604	N.C.R	N.C.R
Controller	EMCO	2090	N/A	N.C.R	N.C.R
RF Switch	ANRITSU	MP59B	N/A	N.C.R	N.C.R
Site NSA	C&C	N/A	N/A	11/10/1999	11/09/2000

Open Area Test Site # 3					
EQUIPMENT TYPE	* MFR	MODEL NUMBER	SERIAL NUMBER	LAST CAL.	CAL. DUE
Spectrum Analyzer	ADVANTEST	R3261C	71720533	10/25/1999	10/24/2000
Pre-Amplifier	HP	8447D	2944A09173	02/01/2000	01/31/2001
EMI Test Receiver	R&S	ESVS20	838804/004	12/24/1999	12/23/2000
Precision Dipole	R&S	HZ-12	846932/0004	06/16/1999	06/16/2000
Precision Dipole	R&S	HZ-13	846556/0008	06/16/1999	06/16/2000
Bilog Antenna	CHASE	CBL6112A	2179	11/27/1999	11/26/2000
Turn Table	EMCO	2081-1.21	9709-1885	N.C.R	N.C.R
Antenna Tower	EMCO	2075-2	9707-2060	N.C.R	N.C.R
Controller	EMCO	2090	9709-1256	N.C.R	N.C.R
RF Switch	ANRITSU	MP59B	N/A	N.C.R	N.C.R
Site NSA	C&C	N/A	N/A	01/30/2000	01/30/2001



Open Area Test Site # 4					
	* MFR	MODEL NUMBER	SERIAL NUMBER	LAST CAL.	CAL. DUE
Spectrum Analyzer	ADVANTEST	R3132	91700456	02/15/2000	02/14/2001
Pre-Amplifier	HP	8447F	2944A03748	10/22/1999	10/21/2000
EMI Test Receiver	R&S	ESVS10	846285/016	12/17/1999	12/16/2000
Precision Dipole	R&S	HZ-12	846932/0004	06/16/1999	06/16/2000
Precision Dipole	R&S	HZ-13	846556/0008	06/16/1999	06/16/2000
Bilog Antenna	CHASE	CBL 6112B	2462	01/13/2000	01/12/2001
Turn Table	Chance most	N/A	N/A	N.C.R	N.C.R
Antenna Tower	Chance most	N/A	N/A	N.C.R	N.C.R
Controller	Chance most	N/A	N/A	N.C.R	N.C.R
RF Switch	ANRITSU	MP59B	N/A	N.C.R	N.C.R
Site NSA	C&C Lab.	N/A	N/A	12/26/1999	12/25/2000

3 meter chamber					
EQUIPMENT TYPE	MFR	MODEL NUMBER	SERIAL NUMBER	LAST CAL.	CAL. DUE
Spectrum Analyzer	ADVANTEST	R3271A	85060321	01/12/2000	01/11/2001
Pre-Amplifier	HP	8449B	3008A00965	03/03/2000	03/02/2001
Horn Antenna	EMCO	3115	9602-4659	04/06/1999	04/05/2000
Coaxial Cable	ANOREW	LDF-2-50	79027	04/13/1999	04/12/2000
Turn Table	HD	DS 415	N/A	N.C.R	N.C.R
Antenna Tower	HD	MA 240	N/A	N.C.R	N.C.R
Controller	HD	HD 100	N/A	N.C.R	N.C.R



Conducted Emission Test Site:

Conducted Emission Test Site # 4					
EQUIPMENT TYPE	MFR	MODEL NUMBER	SERIAL NUMBER	LAST CAL.	CAL. DUE
EMI Test Receiver	R&S	ESHS10	843743/015	12/10/1999	12/09/2000
LISN	EMCO	3825/2	9003/1382	01/10/2000	01/09/2001
LISN	R&S	ESH2-Z5	843250/010	12/06/1999	12/05/2000

The calibrations of the measuring instruments, including any accessories that may effect such calibration, are checked frequently to assure their accuracy. Adjustments are made and correction factors applied in accordance with instructions contained in the manual for the measuring instrument.



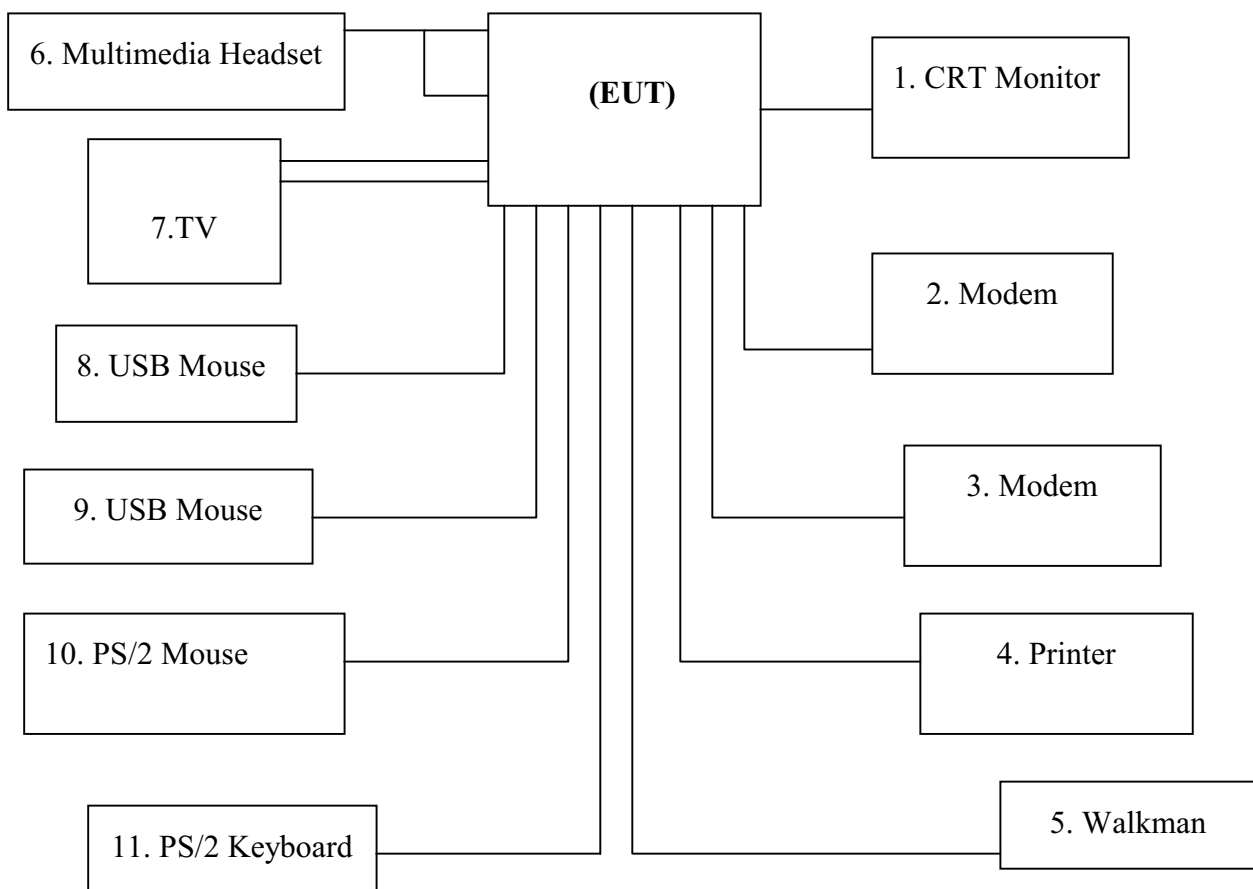
APPENDIX 3

BLOCK DIAGRAM OF TEST SETUP



System Diagram of Connections between EUT and Simulators

EUT: IPC
Trade Name: N/A
Model Number: PCM-4897
Power Cord: Unshielded, 1.8m





APPENDIX 4

PHOTOGRAPHS (TEST SETUP OF LINE CONDUCTED EMISSION TEST)

LINE CONDUCTED EMISSION TEST





APPENDIX 5

PHOTOGRAPHS (TEST SETUP OF RADIATED EMISSION TEST)

TEST SETUP OF RADIATED EMISSION TEST





APPENDIX 6

PHOTOGRAPHS OF EUT



