



KING DESIGN INDUSTRIAL CO., LTD.
5F, NO. 3, LANE 94, TSAO TI WEI, SHEN KENG
HSIANG, TAIPEI HSIEN, TAIWAN, R.O.C.
TEL: 886-2-2662-5100 FAX: 886-2-2662-3094

Reliability & Communication Testing Instruments

VIBRATION LABORATORY
http://www.instrument.com.tw
E-mail: kingsdgn@ms8.hinet.net

TESTING / INSPECTION REPORT

TESTING EQUIPMENT

1 Shock Testing System

2 Controller

DATE : December 20, 2000

REPORT NO : DT-001220-1

COMPANY : AAEON Technology Inc.

5F, No.135, Lane 235, Pao Chiao Rd.

Hsin-Tien City, Taipei, Taiwan, R. O. C.

TEL : 886-2-8919-1234

FAX : 886-2-8919-1049

SPECIMEN : Full-Size CPU Card

Half-Size CPU Card

Compact Board

PC/104 & Media PC

TEST / INSPECTION ITEMS : Drop Test (See Page 2)

REMARKS :

- The results only apply to the device under test.
- This report is 13 pages, and no part of it may be abstracted or reproduced.
- Attached pages are controlling pulse of drop test.

Test Engineer :	<i>Chiping</i>	
Approved by :	<i>2000/12/22 Dave Lee</i>	Laboratory Head :
		<i>2000/12/22 Hui</i>



KING DESIGN INDUSTRIAL CO., LTD.
 5F, NO. 3, LANE 94, TSAO TI WEI, SHEN KENG
 HSIANG, TAIPEI HSIEN, TAIWAN, R.O.C.
 TEL: 886-2-2662-5100 FAX: 886-2-2662-3094

VIBRATION LABORATORY
<http://www.instrument.com.tw>
 E-mail: kingdsgn@ms8.hinet.net

TESTING / INSPECTION REPORT

TESTING EQUIPMENT :

- | | | |
|---------------------------|--------------------|---------------------|
| 1.Drop Testing System | : KD-128A | (S/N : R2110086389) |
| 2.Controller | : KDMS12004 | |
| 3.Measuring Accelerometer | : KISTLER 8793A500 | (S/N: C119425) |

TEST ENVIRONMENT :

- | | |
|-------------|--------------|
| Temperature | : 20± 2°C |
| Humidity | : 70± 20% RH |

SPECIMEN :

- | | |
|-------|---|
| Model | : 1. SBC-598 (Full-Size CPU Card) |
| | 2. SBC-675 (Full-Size CPU Card) |
| | 3. SBC-558, SBC-656, SBC-658 (Half-Size CPU Card) |
| | 4. PCM-7890, PCM-6890B, PCM-5896, PCM-4896
(Compact Board) |
| | 5. PCM-3336 (PC/104) |
| | 6. PCM-4897, PCM-4898 (Media PC) |

Quantity : 12 pieces

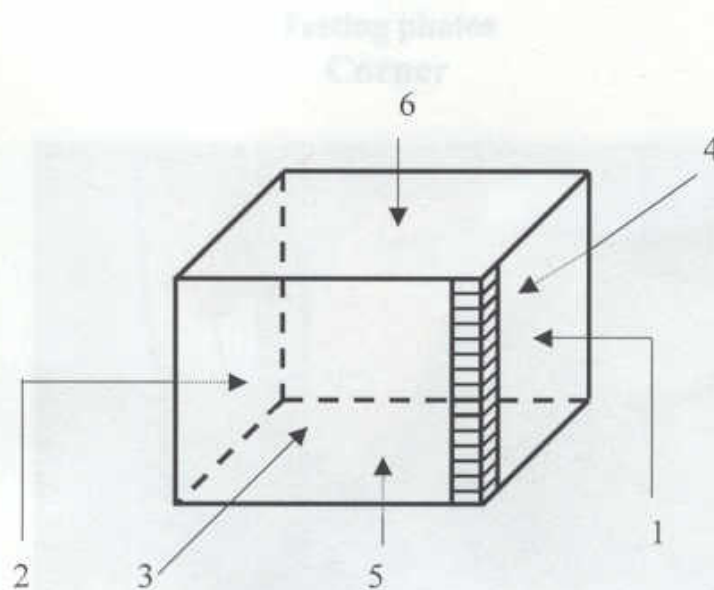
DROP TEST SPECIFICATION :

- | | |
|-------------|----------------------------|
| Drop Height | : 76 cm |
| Drop Onto | : 1 corner, 3edge & 6 face |

TEST RESULT :

	Appearance
Full-Size CPU Card	No damage
Half-Size CPU Card	Damage (See page 12~13)
Compact Board	No damage
PC/104	No damage
Media PC	No damage

TESTING / INSPECTION REPORT



1	The 1-3-5 Corner	Corner
2	The shortest edge radiating from that corner	Edge
3	The next longest edge radiating from that corner	Edge
4	The longest edge radiating from that corner	Edge
5	Flat on one of the smallest faces	Flat
6	Flat on one of the opposite small faces	Flat
7	Flat on one of the medium faces	Flat
8	Flat on one of the opposite medium faces	Flat
9	Flat on one of the largest faces	Flat
10	Flat on one of the opposite largest faces	Flat



KING DESIGN INDUSTRIAL CO., LTD.
5F, NO. 3, LANE 94, TSAO TI WEI, SHEN KENG
HSIANG, TAIPEI HSIEN, TAIWAN, R.O.C.
TEL: 886-2-2662-5100 FAX: 886-2-2662-3094

Reliability & Communication Testing Instruments

VIBRATION LABORATORY
<http://www.instrument.com.tw>
E-mail: kingdsgn@ms8.hinet.net

TESTING / INSPECTION REPORT

Testing photos Corner



KING DESIGN INDUSTRIAL CO., LTD.
5F, NO. 3, LANE 94, TSAO TI WEI, SHEN KENG
HSIANG, TAIPEI HSIEN, TAIWAN, R.O.C.
TEL: 886-2-2662-5100 FAX: 886-2-2662-3094

VIBRATION LABORATORY
<http://www.instrument.com.tw>
E-mail: kingdsgn@ms8.hinet.net

TESTING / INSPECTION REPORT

Testing photos Edge



TESTING / INSPECTION REPORT

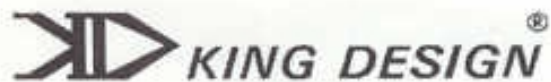
Testing photos Edge



TESTING / INSPECTION REPORT

Testing photos Face





KING DESIGN INDUSTRIAL CO., LTD.
5F, NO. 3, LANE 94, TSAO TI WEI, SHEN KENG
HSIANG, TAIPEI HSIEN, TAIWAN, R.O.C.
TEL: 886-2-2662-5100 FAX: 886-2-2662-3094

Reliability & Communication Testing Instruments

VIBRATION LABORATORY
<http://www.instrument.com.tw>
E-mail: kingdsgn@ms8.hinet.net

TESTING / INSPECTION REPORT

Testing photos Corner



KING DESIGN INDUSTRIAL CO., LTD.
5F, NO. 3, LANE 94, TSAO TI WEI, SHEN KENG
HSIANG, TAIPEI HSIEN, TAIWAN, R.O.C.
TEL: 886-2-2662-5100 FAX: 886-2-2662-3094

VIBRATION LABORATORY
<http://www.instrument.com.tw>
E-mail: kingdsgrn@ms8.hinet.net

TESTING / INSPECTION REPORT

Testing photos Edge

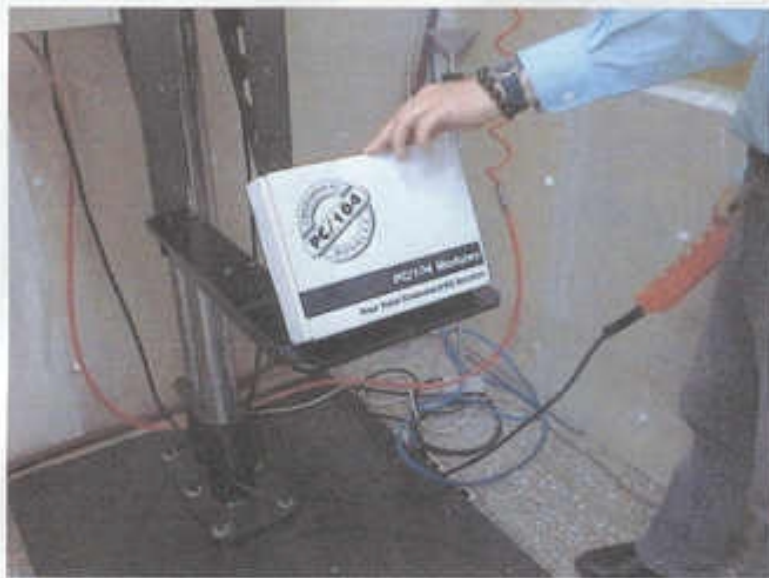


KING DESIGN INDUSTRIAL CO., LTD.
5F, NO. 3, LANE 94, TSAO TI WEI, SHEN KENG
HSIANG, TAIPEI HSIEN, TAIWAN, R.O.C.
TEL: 886-2-2662-5100 FAX: 886-2-2662-3094

VIBRATION LABORATORY
<http://www.instrument.com.tw>
E-mail: kingdsn@ms8.hinet.net

TESTING / INSPECTION REPORT

Testing photos Edge



TESTING / INSPECTION REPORT

Testing photos Face



KING DESIGN INDUSTRIAL CO., LTD.
5F, NO. 3, LANE 94, TSAO TI WEL, SHEN KENG
HSIANG, TAIPEI HSIEN, TAIWAN, R.O.C.
TEL: 886-2-2662-5100 FAX: 886-2-2662-3094

VIBRATION LABORATORY
<http://www.instrument.com.tw>
E-mail: kingdsgn@ms8.hinet.net

TESTING / INSPECTION REPORT

Testing photos Damage

(SBC-558)



(SBC-656)



TESTING / INSPECTION REPORT

Testing photos Damage

(SBC-658)

