

ISO-9002
FM52768



0424 / 042

DROP TESTING REPORT

金頓科技股份有限公司
KING DESIGN INDUSTRIAL CO., LTD.

金頓科技秉持一貫的經營宗旨——專業 / 積極 / 效率 / 熱忱
技術領先 品質第一 服務至上 全面滿意



KING DESIGN INDUSTRIAL CO., LTD.
5F, NO 3, Lane 270, Pei Shen Road Sec.3,
Shen Keng Hsiang, Tapei Hsien 222, Taiwan, R.O.C
TEL: 886-2-2662-5100 FAX: 886-2-2662-3094

Reliability & Communication Testing Instruments

VIBRATION LABORATORY
http://www.king-design.com.tw
E-mail: kingdsgn@ms8.hinet.net

TESTING / INSPECTION REPORT

DATE : June 27,2001

REPORT NO : DT-010627-1

COMPANY : AAEON Technology Inc.
5F, No.135, Lane 235, Pao Chiao Rd.
Hsin-Tien City, Taipei, Taiwan, R. O. C.
TEL : 886-2-8919-1234
FAX : 886-2-8919-1049

SPECIMEN : AEC-6200

TEST / INSPECTION ITEMS : Drop Test (See Page 2)

REMARKS :

- The results only apply to the device under test.
- This report is 6 pages, and no part of it may be abstracted or reproduced.
- Attached pages are controlling pulse of drop test.

Test Engineer : <i>Triski Chin</i>	
Approved by : <i>Dave Lee</i>	Laboratory Head : <i>2001.6.28 Hung Chen Lin</i>



TELECOMS / VIBRATION / SHOCK INSTRUMENTS



KING DESIGN INDUSTRIAL CO., LTD.
5F, NO 3, Lane 270, Pei Shen Road Sec.3,
Shen Keng Hsiang, Tapei Hsien 222, Taiwan, R.O.C
TEL: 886-2-2662-5100 FAX: 886-2-2662-3094

Reliability & Communication Testing Instruments

VIBRATION LABORATORY
<http://www.king-design.com.tw>
E-mail: kingdsgn@ms8.hinet.net

TESTING / INSPECTION REPORT

TESTING EQUIPMENT :

Drop Testing System : KD-128A (S/N : R2110086389)

TEST ENVIRONMENT :

Temperature : $20 \pm 2^{\circ}\text{C}$
Humidity : $70 \pm 20\% \text{ RH}$

SPECIMEN :

Model : AEC-6200
Quantity : 1 piece

DROP TEST SPECIFICATION :

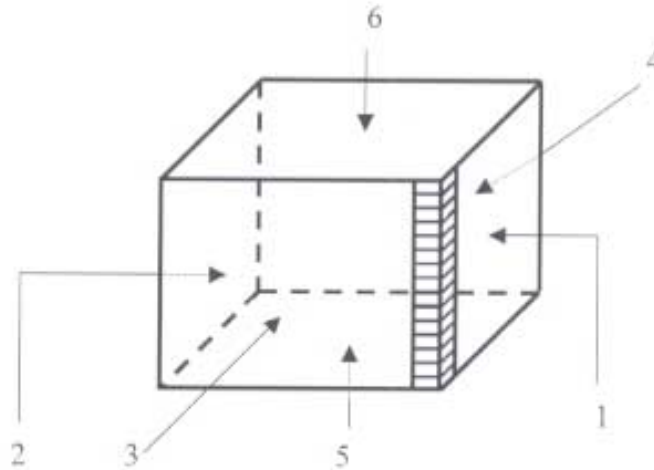
Drop Height : 76.2 cm
Drop Onto : 1 corner, 3 edge & 6 face

TEST RESULT :

Appearance check : No damage
Function check : Normal

NOTE : The pass or failed judgment by AAEON engineers.

TESTING / INSPECTION REPORT



1	The 1-3-5 Corner	Corner
2	The shortest edge radiating from that corner	Edge
3	The next longest edge radiating from that corner	Edge
4	The longest edge radiating from that corner	Edge
5	Flat on one of the smallest faces	Flat
6	Flat on one of the opposite small faces	Flat
7	Flat on one of the medium faces	Flat
8	Flat on one of the opposite medium faces	Flat
9	Flat on one of the largest faces	Flat
10	Flat on one of the opposite largest faces	Flat

TESTING / INSPECTION REPORT

Testing photos Corner



TESTING / INSPECTION REPORT

Testing photos Edge



TESTING / INSPECTION REPORT

Testing photos Face

