



KING DESIGN INDUSTRIAL CO., LTD.  
 5F, NO 3, Lane 270, Pei Shen Road Sec.3,  
 Shen Keng Hsiang, Tapei Hsien 222, Taiwan, R.O.C  
 TEL: 886-2-2662-5100 FAX: 886-2-2662-3094

Reliability & Communication Testing Instruments

VIBRATION LABORATORY  
 http://www.king-design.com.tw  
 E-mail: kingdsgn@ms8.hinet.net

TESTING / INSPECTION REPORT

DATE : June 21,2001  
 REPORT NO : DT-010621-2

COMPANY : AAEON Technology Inc.  
 5F, No.135, Lane 235, Pao Chiao Rd.  
 Hsin-Tien City, Taipei, Taiwan, R. O. C.  
 TEL : 886-2-8919-1234  
 FAX : 886-2-8919-1049

SPECIMEN : AEC-6000

TEST / INSPECTION ITEMS : Drop Test (See Page 2)

REMARKS :

- The results only apply to the device under test.
- This report is 6 pages, and no part of it may be abstracted or reproduced.
- Attached pages are controlling pulse of drop test.

Test Engineer : <i>Triskie Chiu</i>	
Approved by : <i>2001.6.27 Dave Lee</i>	Laboratory Head : <i>2001.6.27 Hung Chen</i>



TELECOMS / VIBRATION / SHOCK INSTRUMENTS



KING DESIGN INDUSTRIAL CO., LTD.  
5F, NO 3, Lane 270, Pei Shen Road Sec.3,  
Shen Keng Hsiang, Tapei Hsien 222, Taiwan, R.O.C  
TEL: 886-2-2662-5100 FAX: 886-2-2662-3094

Reliability & Communication Testing Instruments

VIBRATION LABORATORY  
<http://www.king-design.com.tw>  
E-mail: kingdsn@ms8.hinet.net

## TESTING / INSPECTION REPORT

### TESTING EQUIPMENT :

Drop Testing System : KD-128A (S/N : R2110086389)

### TEST ENVIRONMENT :

Temperature :  $20 \pm 2^{\circ}\text{C}$   
Humidity :  $70 \pm 20\% \text{ RH}$

### SPECIMEN :

Model : AEC-6000  
Quantity : 1 piece

### DROP TEST SPECIFICATION :

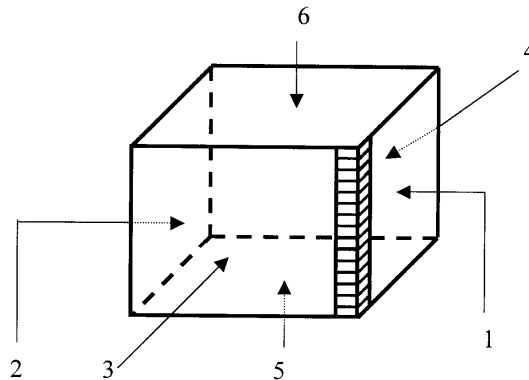
Drop Height : 76.2 cm  
Drop Onto : 1 corner, 3 edge & 6 face

### TEST RESULT :

Appearance check : No damage  
Function check : Normal

**NOTE : The pass or failed judgment by AAEON engineers.**

TESTING / INSPECTION REPORT



1	The 1-3-5 Corner	Corner
2	The shortest edge radiating from that corner	Edge
3	The next longest edge radiating from that corner	Edge
4	The longest edge radiating from that corner	Edge
5	Flat on one of the smallest faces	Flat
6	Flat on one of the opposite small faces	Flat
7	Flat on one of the medium faces	Flat
8	Flat on one of the opposite medium faces	Flat
9	Flat on one of the largest faces	Flat
10	Flat on one of the opposite largest faces	Flat



Reliability & Communication Testing Instruments

*KING DESIGN INDUSTRIAL CO., LTD.*  
5F, NO 3, Lane 270, Pei Shen Road Sec.3,  
Shen Keng Hsiang, Tapei Hsien 222, Taiwan, R.O.C  
TEL: 886-2-2662-5100 FAX: 886-2-2662-3094

*VIBRATION LABORATORY*  
<http://www.king-design.com.tw>  
E-mail: [kingdsgn@ms8.hinet.net](mailto:kingdsgn@ms8.hinet.net)

## TESTING / INSPECTION REPORT

### Testing photos Corner





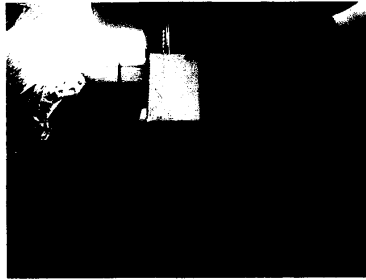
Reliability & Communication Testing Instruments

**KING DESIGN INDUSTRIAL CO., LTD.**  
5F, NO 3, Lane 270, Pei Shen Road Sec.3,  
Shen Keng Hsiang, Tapei Hsien 222, Taiwan, R.O.C  
TEL: 886-2-2662-5100 FAX: 886-2-2662-3094

**VIBRATION LABORATORY**  
<http://www.king-design.com.tw>  
E-mail: [kingsgn@ms8.hinet.net](mailto:kingsgn@ms8.hinet.net)

## TESTING / INSPECTION REPORT

### Testing photos Edge





Reliability & Communication Testing Instruments

**KING DESIGN INDUSTRIAL CO., LTD.**  
5F, NO 3, Lane 270, Pei Shen Road Sec.3,  
Shen Keng Hsiang, Tapei Hsien 222, Taiwan, R.O.C  
TEL: 886-2-2662-5100 FAX: 886-2-2662-3094

**VIBRATION LABORATORY**  
<http://www.king-design.com.tw>  
E-mail: kingdsgn@ms8.hinet.net

## TESTING / INSPECTION REPORT

### Testing photos Face

