



KING DESIGN INDUSTRIAL CO., LTD.  
5F, NO. 3, LANE 94, TSAO TI WEI, SHEN KENG  
HSIANG, TAIPEI HSIEN, TAIWAN, R.O.C.  
TEL: 886-2-2662-5100 FAX: 886-2-2662-3094

VIBRATION LABORATORY  
http://www.instrument.com.tw  
E-mail: kingsdgn@ms8.hinet.net

### TESTING / INSPECTION REPORT

TESTING EQUIPMENT

DATE : December 20, 2000

1. Shock Tester (Type)

KS-220A

REPORT NO : DT-001220-1

2. Controller

KS-05A2004

COMPANY : AAEON Technology Inc.

5F, No.135, Lane 235, Pao Chiao Rd.

Hsin-Tien City, Taipei, Taiwan, R. O. C.

TEL : 886-2-8919-1234

FAX : 886-2-8919-1049

SPECIMEN : Full-Size CPU Card

Half-Size CPU Card

Compact Board

PC/104 & Media PC

TEST / INSPECTION ITEMS : Drop Test (See Page 2)

#### REMARKS :

- The results only apply to the device under test.
- This report is 13 pages, and no part of it may be abstracted or reproduced.
- Attached pages are controlling pulse of drop test.

Test Engineer :	<i>Chiping</i>	
Approved by :	<i>2000/12/22 Dave Lee</i>	Laboratory Head :
		<i>2000/12/22 Hui</i>



KING DESIGN INDUSTRIAL CO., LTD.  
 5F, NO. 3, LANE 94, TSAO TI WEI, SHEN KENG  
 HSIANG, TAIPEI HSIEN, TAIWAN, R.O.C.  
 TEL: 886-2-2662-5100 FAX: 886-2-2662-3094

VIBRATION LABORATORY  
<http://www.instrument.com.tw>  
 E-mail: kingdsgn@ms8.hinet.net

## TESTING / INSPECTION REPORT

### TESTING EQUIPMENT :

- |                           |                    |                     |
|---------------------------|--------------------|---------------------|
| 1.Drop Testing System     | : KD-128A          | (S/N : R2110086389) |
| 2.Controller              | : KDMS12004        |                     |
| 3.Measuring Accelerometer | : KISTLER 8793A500 | (S/N: C119425)      |

### TEST ENVIRONMENT :

- |             |              |
|-------------|--------------|
| Temperature | : 20± 2°C    |
| Humidity    | : 70± 20% RH |

### SPECIMEN :

- |       |   |
|-------|---|
| Model | : 1. SBC-598 (Full-Size CPU Card)                             |
|       | 2. SBC-675 (Full-Size CPU Card)                               |
|       | 3. SBC-558, SBC-656, SBC-658 (Half-Size CPU Card)             |
|       | 4. PCM-7890, PCM-6890B, PCM-5896, PCM-4896<br>(Compact Board) |
|       | 5. PCM-3336 (PC/104)  |
|       | 6. PCM-4897, PCM-4898 (Media PC)                              |

Quantity : 12 pieces

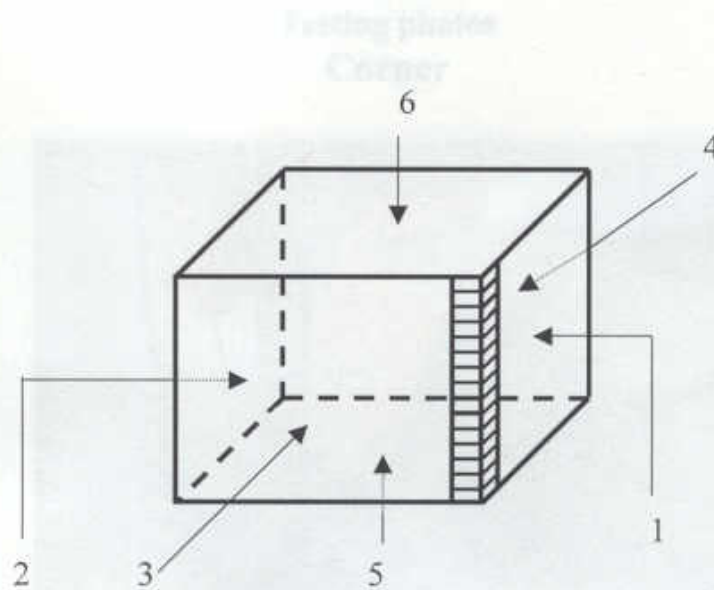
### DROP TEST SPECIFICATION :

- |             |                            |
|-------------|----------------------------|
| Drop Height | : 76 cm                    |
| Drop Onto   | : 1 corner, 3edge & 6 face |

### TEST RESULT :

	Appearance
Full-Size CPU Card	No damage
Half-Size CPU Card	Damage (See page 12~13)
Compact Board	No damage
PC/104	No damage
Media PC	No damage

## TESTING / INSPECTION REPORT



1	The 1-3-5 Corner	Corner
2	The shortest edge radiating from that corner	Edge
3	The next longest edge radiating from that corner	Edge
4	The longest edge radiating from that corner	Edge
5	Flat on one of the smallest faces	Flat
6	Flat on one of the opposite small faces	Flat
7	Flat on one of the medium faces	Flat
8	Flat on one of the opposite medium faces	Flat
9	Flat on one of the largest faces	Flat
10	Flat on one of the opposite largest faces	Flat





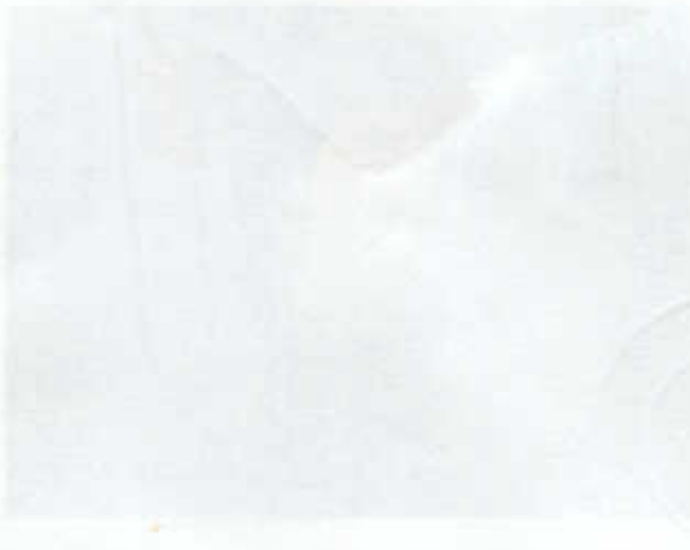
**KING DESIGN INDUSTRIAL CO., LTD.**  
5F, NO. 3, LANE 94, TSAO TI WEI, SHEN KENG  
HSIANG, TAIPEI HSIEN, TAIWAN, R.O.C.  
TEL: 886-2-2662-5100 FAX: 886-2-2662-3094

Reliability & Communication Testing Instruments

**VIBRATION LABORATORY**  
<http://www.instrument.com.tw>  
E-mail: [kingdsgn@ms8.hinet.net](mailto:kingdsgn@ms8.hinet.net)

## TESTING / INSPECTION REPORT

### Testing photos Corner



KING DESIGN INDUSTRIAL CO., LTD.  
5F, NO. 3, LANE 94, TSAO TI WEI, SHEN KENG  
HSIANG, TAIPEI HSIEN, TAIWAN, R.O.C.  
TEL: 886-2-2662-5100 FAX: 886-2-2662-3094

VIBRATION LABORATORY  
<http://www.instrument.com.tw>  
E-mail: [kingdsgn@ms8.hinet.net](mailto:kingdsgn@ms8.hinet.net)

## TESTING / INSPECTION REPORT

### Testing photos Edge



## TESTING / INSPECTION REPORT

### Testing photos Edge

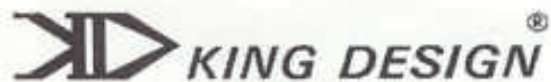




## TESTING / INSPECTION REPORT

### Testing photos Face





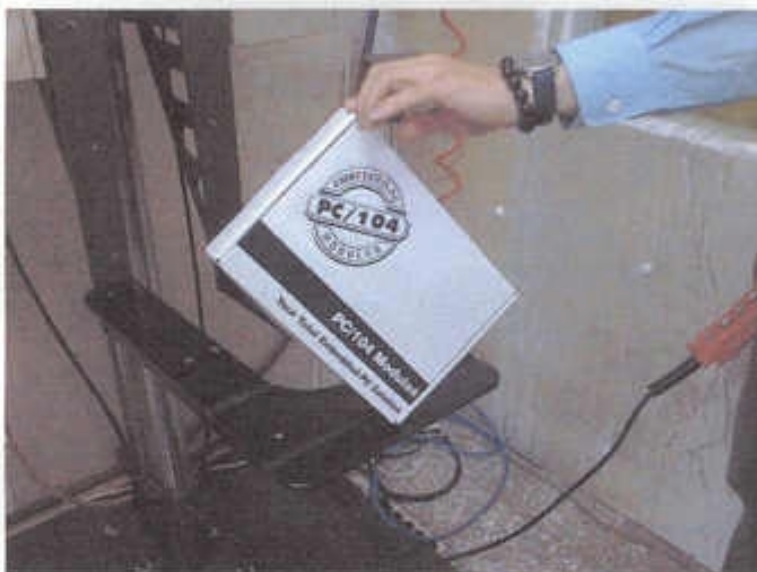
**KING DESIGN INDUSTRIAL CO., LTD.**  
5F, NO. 3, LANE 94, TSAO TI WEI, SHEN KENG  
HSIANG, TAIPEI HSIEN, TAIWAN, R.O.C.  
TEL: 886-2-2662-5100 FAX: 886-2-2662-3094

Reliability & Communication Testing Instruments

**VIBRATION LABORATORY**  
<http://www.instrument.com.tw>  
E-mail: kingdsgn@ms8.hinet.net

## TESTING / INSPECTION REPORT

### Testing photos Corner





KING DESIGN INDUSTRIAL CO., LTD.  
5F, NO. 3, LANE 94, TSAO TI WEI, SHEN KENG  
HSIANG, TAIPEI HSIEN, TAIWAN, R.O.C.  
TEL: 886-2-2662-5100 FAX: 886-2-2662-3094

VIBRATION LABORATORY  
<http://www.instrument.com.tw>  
E-mail: kingdsgn@ms8.hinet.net

## TESTING / INSPECTION REPORT

### Testing photos Edge

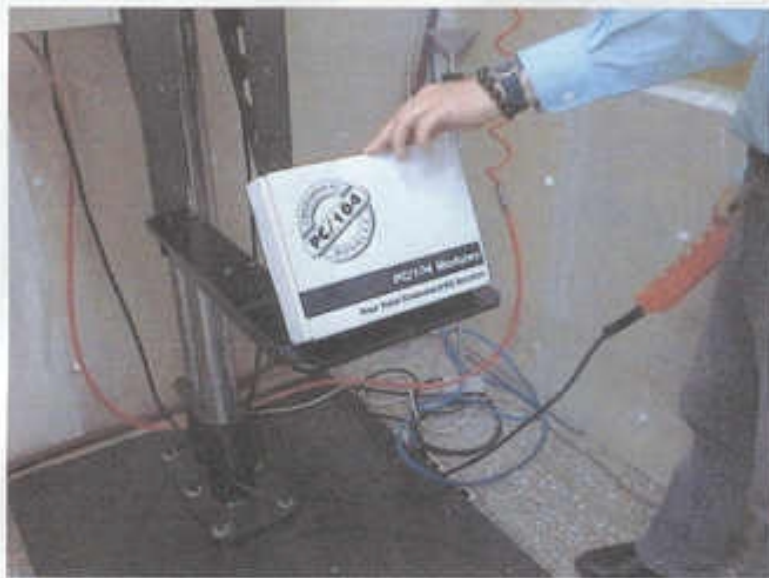


KING DESIGN INDUSTRIAL CO., LTD.  
5F, NO. 3, LANE 94, TSAO TI WEI, SHEN KENG  
HSIANG, TAIPEI HSIEN, TAIWAN, R.O.C.  
TEL: 886-2-2662-5100 FAX: 886-2-2662-3094

VIBRATION LABORATORY  
<http://www.instrument.com.tw>  
E-mail: kingdsn@ms8.hinet.net

## TESTING / INSPECTION REPORT

### Testing photos Edge



## TESTING / INSPECTION REPORT

### Testing photos Face





KING DESIGN INDUSTRIAL CO., LTD.  
5F, NO. 3, LANE 94, TSAO TI WEL, SHEN KENG  
HSIANG, TAIPEI HSIEN, TAIWAN, R.O.C.  
TEL: 886-2-2662-5100 FAX: 886-2-2662-3094

VIBRATION LABORATORY  
<http://www.instrument.com.tw>  
E-mail: kingdsgn@ms8.hinet.net

## TESTING / INSPECTION REPORT

### Testing photos Damage

(SBC-558)



(SBC-656)



KING DESIGN INDUSTRIAL CO., LTD.  
5F, NO. 3, LANE 94, TSAO TI WEI, SHEN KENG  
HSIANG, TAIPEI HSIEN, TAIWAN, R.O.C.  
TEL: 886-2-2662-5100 FAX: 886-2-2662-3094

VIBRATION LABORATORY  
<http://www.instrument.com.tw>  
E-mail: kingdsgn@ms8.hinet.net

## TESTING / INSPECTION REPORT

### Testing photos Damage

(SBC-658)

