



AAEON Technology INC.
ISO-9001/ISO-14001 Certified
Industrial Automation PCs

APD-7211

Drop Test Report

Report NO. : *****

Issued by:

Edward
AAEON

/

04/22/2004

Date

Reviewed by:

TonyL
ME Manager

/

04/22/2004

Date

1. Test Product: **21.3" Industrial Panel PC**

2. Model Name: APD-7211

3. Test Date: 04/22/2004

4. Test Site: AAEON Internal Lab.

5. Test Equipment

Type	MFR	Model Number	Serial Number	Last CAL.
Drop Tester	King Design	KD-128A	R2110086389	N/A
Weight Scale	SAN HO Scales Co., LTD.	EW-120K	NMJL0449	10/03/01

6. Test Specification:

Parameters	Targets
EUT Weight	14.5kg
Drop Height	92 cm
Drop Onto	1 corner, 3 edges & 6 faces
Drop Times	1 circles

7. Test Condition

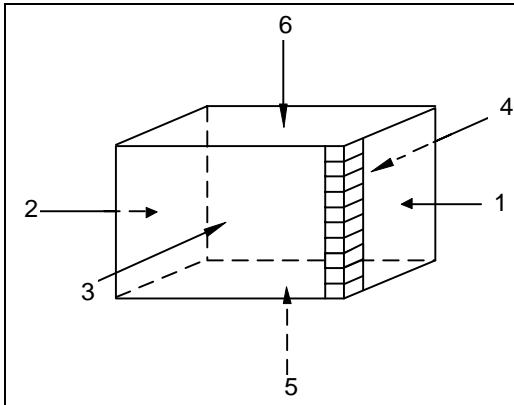
Temperature: 20 ±2

Humidity: 60 ±20%RH

Sample Package: 1 unit in double-package.



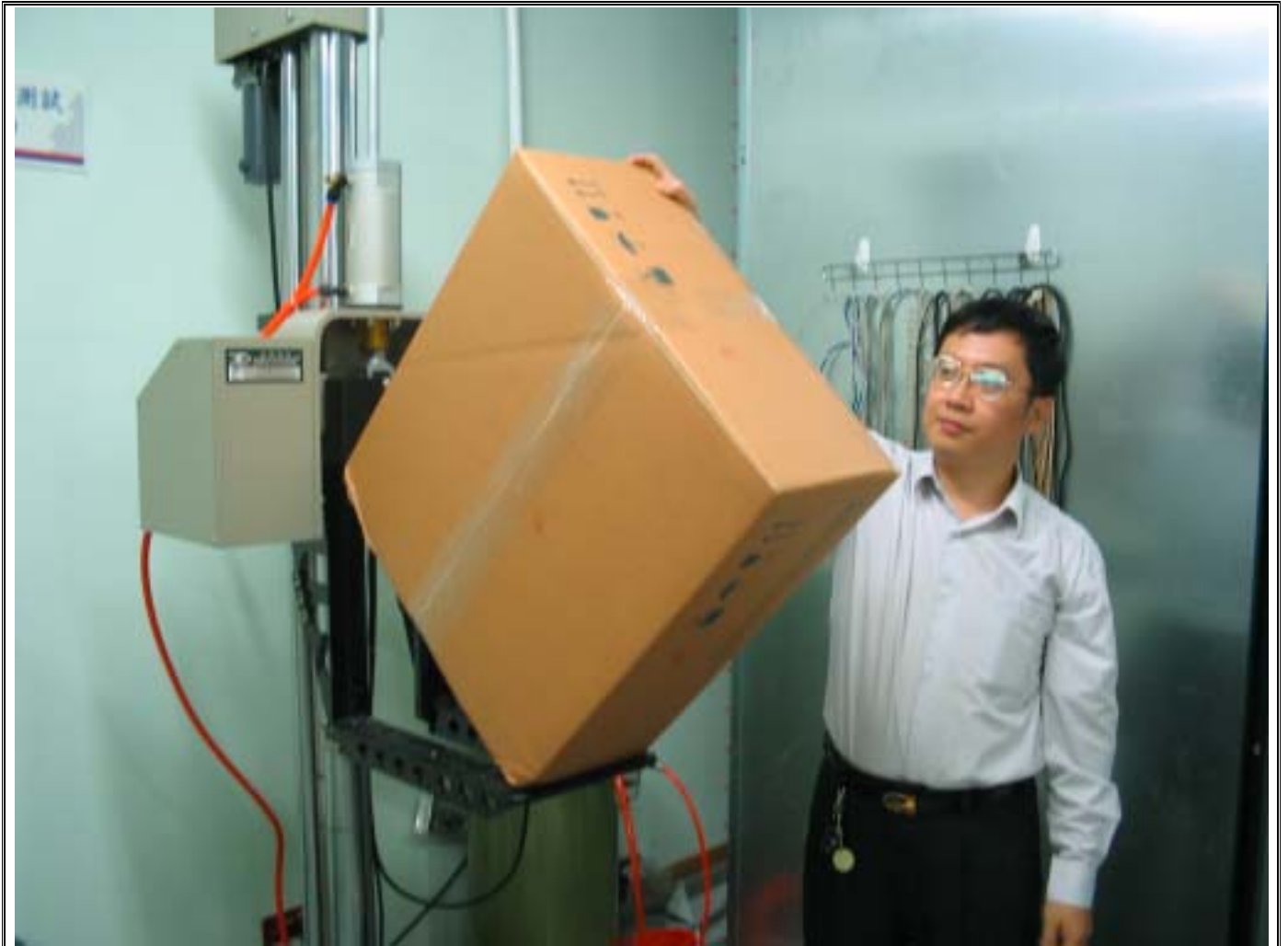
8. Direction Definition



1	The 1-3-5 Corner	Corner
2	The shortest edge radiating from that corner	Edge
3	The next longest edge radiating from that corner	Edge
4	The longest edge radiating from that corner	Edge
5	Flat on one of the smallest faces	Flat
6	Flat on one of the opposite small faces	Flat
7	Flat on one of the medium faces	Flat
8	Flat on one of the opposite medium faces	Flat
9	Flat on one of the largest faces	Flat
10	Flat on one of the opposite largest faces	Flat





















9. Test Result:

We check the LCD display in the box after PACKING DROP test. All of them have no damage appearance and pass functionality test.