



KING DESIGN INDUSTRIAL CO., LTD.  
5F, NO 3, Lane 270, Pei Shen Road Sec.3,  
Shen Keng Hsiang, Tapei Hsien 222, Taiwan, R.O.C  
TEL: 886-2-2662-5100 FAX: 886-2-2662-3094

Reliability & Communication Testing Instruments

VIBRATION LABORATORY  
http://www.king-design.com.tw  
E-mail: kingdsgn@ms8.hinet.net

## TESTING / INSPECTION REPORT

DATE : May 11, 2001  
REPORT NO : DT-010511-1

COMPANY : AAEON Technology Inc.  
5F, No.135, Lane 235, Pao Chiao Rd.  
Hsin-Tien City, Taipei, Taiwan, R. O. C.  
TEL : 886-2-8919-1234  
FAX : 886-2-8919-1049

SPECIMEN : AEC-6200

TEST / INSPECTION ITEMS : Drop Test (See Page 2)

### REMARKS :

- The results only apply to the device under test.
- This report is 6 pages, and no part of it may be abstracted or reproduced.
- Attached pages are controlling pulse of drop test.

Test Engineer :	<i>Tsui Chi</i>	
Approved by :	<i>Dave Lee</i>	Laboratory Head : <i>2001/5/11x Hung Chen</i>



## TESTING / INSPECTION REPORT

### TESTING EQUIPMENT :

Drop Testing System : KD-128A (S/N : R2110086389)

### TEST ENVIRONMENT :

Temperature : 20± 2°C  
Humidity : 70± 20% RH

### SPECIMEN :

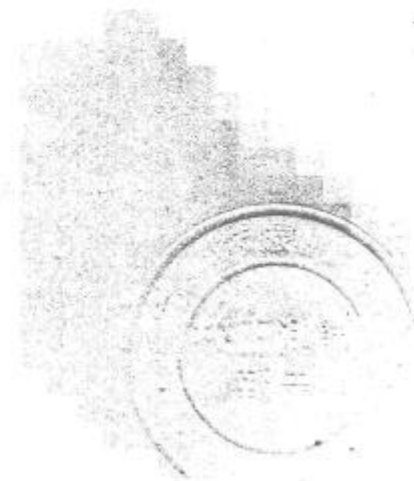
Model : AEC-6200  
Quantity : 1 piece

### DROP TEST SPECIFICATION :

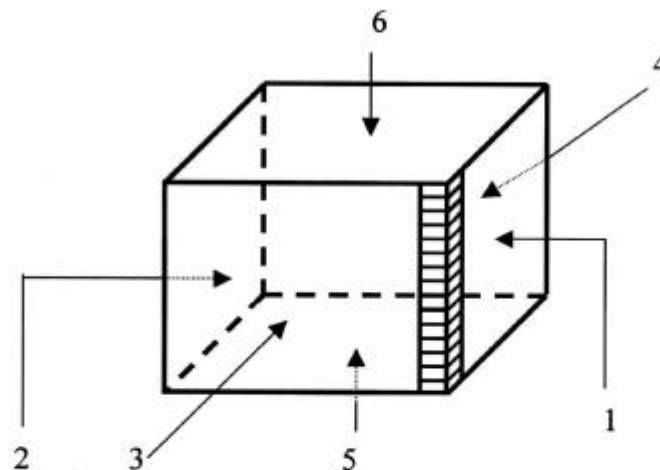
Drop Height : 76 cm  
Drop Onto : 1 corner, 3 edge & 6 face

### TEST RESULT :

Appearance check : No damage



## TESTING / INSPECTION REPORT



1	The 1-3-5 Corner	Corner
2	The shortest edge radiating from that corner	Edge
3	The next longest edge radiating from that corner	Edge
4	The longest edge radiating from that corner	Edge
5	Flat on one of the smallest faces	Flat
6	Flat on one of the opposite small faces	Flat
7	Flat on one of the medium faces	Flat
8	Flat on one of the opposite medium faces	Flat
9	Flat on one of the largest faces	Flat
10	Flat on one of the opposite largest faces	Flat

## TESTING / INSPECTION REPORT

### Testing photos Corner



## TESTING / INSPECTION REPORT

### Testing photos Edge



## TESTING / INSPECTION REPORT

### Testing photos Face

