



KING DESIGN INDUSTRIAL CO., LTD.
5F, NO. 3, LANE 94, TSAO TI WEI, SHEN KENG
HSLANG, TAIPEI HSIEN, TAIWAN, R.O.C.

Reliability & Communication Testing Instruments

http://www.instrument.com.tw
E-mail: kingdsgn@ms8.hinet.net
TEL: 886-2-2662-5100 FAX: 886-2-2662-3094

TESTING / INSPECTION REPORT

DATE : July 17, 2000
REPORT NO : DT-000717-3

COMPANY : AAEON Technology Inc.
5F, No.135, Lane 235, Pao Chiao Rd.
Hsin-Tien City, Taipei, Taiwan, R. O. C.
TEL:886-2-8919-1234
FAX:886-2-8919-1049

SPECIMEN : Modular System Industrial Workstation
With 12.1" Flat-panel and Keyboard

TEST / INSPECTION ITEMS : Drop Test (See Page 2)

REMARKS :

- The results only apply to the device under test.
- This report is 7 pages, and no part of it may be abstracted or reproduced.
- Attached pages are controlling pulse of drop test.

Test Engineer : <i>Chiping</i>	Laboratory Head :
Approved by : <i>Dave Lee</i>	<i>2000/7/19 Hung</i>



TELECOMS / VIBRATION / SHOCK INSTRUMENTS



KING DESIGN INDUSTRIAL CO., LTD.
5F, NO. 3, LANE 94, TSAO TI WEI, SHEN KENG
HSIANG, TAIPEI HSIEN, TAIWAN, R.O.C.

Reliability & Communication Testing Instruments

<http://www.instrument.com.tw>
E-mail: kingdsgn@ms8.hinet.net
TEL: 886-2-2662-5100 FAX: 886-2-2662-3094

TESTING / INSPECTION REPORT

TESTING EQUIPMENT :

- 1. Drop Testing System : KD-128A
- 2. Controller : KDMS12004
- 3. Measuring Accelerometer : KISTLER 8793A500 (S/N: C119425)

TEST ENVIRONMENT :

- Temperature : $20 \pm 2^{\circ}\text{C}$
- Humidity : $70 \pm 20\% \text{RH}$

SPECIMEN :

- Model : AMB-2420
- Quantity : 1 piece

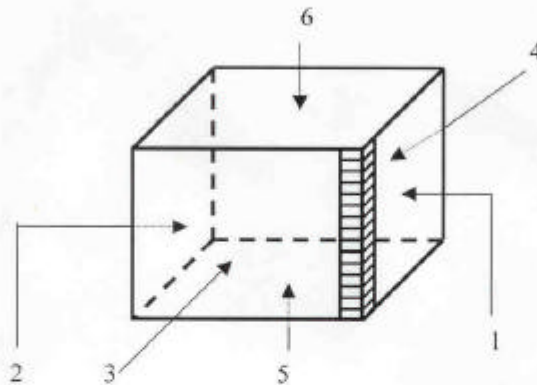
DROP TEST SPECIFICATION :

- Drop Height : 45.7 cm
- Drop Onto : 1 corner, 3 edge & 6 face

TEST RESULT :

- Function check : Normal

TESTING / INSPECTION REPORT



1	The 1-3-5 Corner	Corner
2	The shortest edge radiating from that corner	Edge
3	The next longest edge radiating from that corner	Edge
4	The longest edge radiating from that corner	Edge
5	Flat on one of the smallest faces	Flat
6	Flat on one of the opposite small faces	Flat
7	Flat on one of the medium faces	Flat
8	Flat on one of the opposite medium faces	Flat
9	Flat on one of the largest faces	Flat
10	Flat on one of the opposite largest faces	Flat



KING DESIGN INDUSTRIAL CO., LTD.
5F, NO. 3, LANE 94, TSAO TI WEI, SHEN KENG
HSIANG, TAIPEI HSIEN, TAIWAN, R.O.C.

Reliability & Communication Testing Instruments

<http://www.instrument.com.tw>
E-mail: kingdsgn@ms8.hinet.net
TEL: 886-2-2662-5100 FAX: 886-2-2662-3094

TESTING / INSPECTION REPORT

Testing photos Corner





KING DESIGN INDUSTRIAL CO., LTD.
5F, NO. 3, LANE 94, TSAO TI WEI, SHEN KENG
HSIANG, TAIPEI HSIEN, TAIWAN, R.O.C.

Reliability & Communication Testing Instruments

<http://www.instrument.com.tw>
E-mail: kingdsgn@ms8.hinet.net
TEL: 886-2-2662-5100 FAX: 886-2-2662-3094

TESTING / INSPECTION REPORT

Testing photos Edge





KING DESIGN INDUSTRIAL CO., LTD.
5F, NO. 3, LANE 94, TSAO TI WEI, SHEN KENG
HSIANG, TAIPEI HSIEN, TAIWAN, R.O.C.

Reliability & Communication Testing Instruments

http://www.instrument.com.tw
E-mail: kingdsgn@ms8.hinet.net
TEL: 886-2-2662-5100 FAX: 886-2-2662-3094

TESTING / INSPECTION REPORT

Testing photos Edge





KING DESIGN INDUSTRIAL CO., LTD.
5F, NO. 3, LANE 94, TSAO TI WEI, SHEN KENG
HSIANG, TAIPEI HSIEN, TAIWAN, R.O.C.

Reliability & Communication Testing Instruments

<http://www.instrument.com.tw>
E-mail: kingsgn@ms8.hinet.net
TEL: 886-2-2662-5100 FAX: 886-2-2662-3094

TESTING / INSPECTION REPORT

Testing photos Face

