



Reliability & Communication Testing Instruments

KING DESIGN INDUSTRIAL CO., LTD.
5F, NO. 3, LANE 94, TSAO TI WEI, SHEN KENG
HSIANG, TAIPEI HSIEN, TAIWAN, R.O.C.

http://www.instrument.com.tw
E-mail: kingdsgn@ms8.hinet.net
TEL: 886-2-2662-5100 FAX: 886-2-2662-3094

TESTING / INSPECTION REPORT

DATE : July 17, 2000
REPORT NO : DT-000717-7

COMPANY : AAeon Technology Inc.
5F, No.135, Lane 235, Pao Chiao Rd.
Hsin-Tien City, Taipei, Taiwan, R. O. C.
TEL:886-2-8919-1234
FAX:886-2-8919-1049

SPECIMEN : 12.1" Industrial Display Panel

TEST / INSPECTION ITEMS : Drop Test (See Page 2)

REMARKS :

- The results only apply to the device under test.
- This report is 7 pages, and no part of it may be abstracted or reproduced.
- Attached pages are controlling pulse of drop test.

Test Engineer : <i>Chiping</i>	Laboratory Head : <i>2000 07 19 Hung</i>
Approved by : <i>Dave Lee</i>	





KING DESIGN INDUSTRIAL CO., LTD.
5F, NO. 3, LANE 94, TSAO TI WEI, SHEN KENG
HSIANG, TAIPEI HSIEN, TAIWAN, R.O.C.

Reliability & Communication Testing Instruments

<http://www.instrument.com.tw>
E-mail: kingdsgn@ms8.hinet.net
TEL: 886-2-2662-5100 FAX: 886-2-2662-3094

TESTING / INSPECTION REPORT

TESTING EQUIPMENT :

- 1. Drop Testing System : KD-128A
- 2. Controller : KDMS12004
- 3. Measuring Accelerometer : KISTLER 8793A500 (S/N: C119425)

TEST ENVIRONMENT :

- Temperature : $20 \pm 2^{\circ}\text{C}$
- Humidity : $70 \pm 20\% \text{ RH}$

SPECIMEN :

- Model : AMB-223A
- Quantity : 1 piece

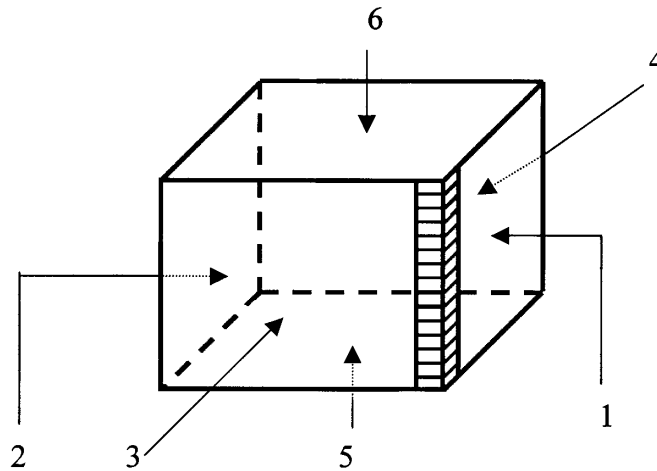
DROP TEST SPECIFICATION :

- Drop Height : 76.2 cm
- Drop Onto : 1 corner, 3 edge & 6 face

TEST RESULT :

Function check : Normal

TESTING / INSPECTION REPORT



1	The 1-3-5 Corner	Corner
2	The shortest edge radiating from that corner	Edge
3	The next longest edge radiating from that corner	Edge
4	The longest edge radiating from that corner	Edge
5	Flat on one of the smallest faces	Flat
6	Flat on one of the opposite small faces	Flat
7	Flat on one of the medium faces	Flat
8	Flat on one of the opposite medium faces	Flat
9	Flat on one of the largest faces	Flat
10	Flat on one of the opposite largest faces	Flat

TESTING / INSPECTION REPORT

Testing photos Corner



TESTING / INSPECTION REPORT

Testing photos Edge



TESTING / INSPECTION REPORT

Testing photos Edge



TESTING / INSPECTION REPORT

Testing photos Face

