



KING DESIGN INDUSTRIAL CO., LTD.
 5F, NO 3, Lane 270, Pei Shen Road Sec.3,
 Shen Keng Hsiang, Tapei Hsien 222, Taiwan, R.O.C
 TEL: 886-2-2662-5100 FAX: 886-2-2662-3094

Reliability & Communication Testing Instruments

VIBRATION LABORATORY
 http://www.king-design.com.tw
 E-mail: kingdsgn@ms8.hinet.net

TESTING / INSPECTION REPORT

DATE : May 30,2001
 REPORT NO : DT-010530-2

COMPANY : AAEON Technology Inc.
 5F, No.135, Lane 235, Pao Chiao Rd.
 Hsin-Tien City, Taipei, Taiwan, R. O. C.
 TEL : 886-2-8919-1234
 FAX : 886-2-8919-1049

SPECIMEN : AEC-204

TEST / INSPECTION ITEMS : Drop Test (See Page 2)

REMARKS :

- The results only apply to the device under test.
- This report is 6 pages, and no part of it may be abstracted or reproduced.
- Attached pages are controlling pulse of drop test.

Test Engineer : <i>Triskie Chiu</i>	
Approved by : <i>2001.6.1</i> <i>Dave Lee</i>	Laboratory Head : <i>2001.6.1</i> <i>Hung Chen Lin</i>





KING DESIGN INDUSTRIAL CO., LTD.
5F, NO 3, Lane 270, Pei Shen Road Sec.3,
Shen Keng Hsiang, Tapei Hsien 222, Taiwan, R.O.C
TEL: 886-2-2662-5100 FAX: 886-2-2662-3094

Reliability & Communication Testing Instruments

VIBRATION LABORATORY
<http://www.king-design.com.tw>
E-mail: kingdsgn@ms8.hinet.net

TESTING / INSPECTION REPORT

TESTING EQUIPMENT :

Drop Testing System : KD-128A (S/N : R2110086389)

TEST ENVIRONMENT :

Temperature : $20 \pm 2^{\circ}\text{C}$
Humidity : $70 \pm 20\% \text{ RH}$

SPECIMEN :

Model : AEC-204
Quantity : 1 piece

DROP TEST SPECIFICATION :

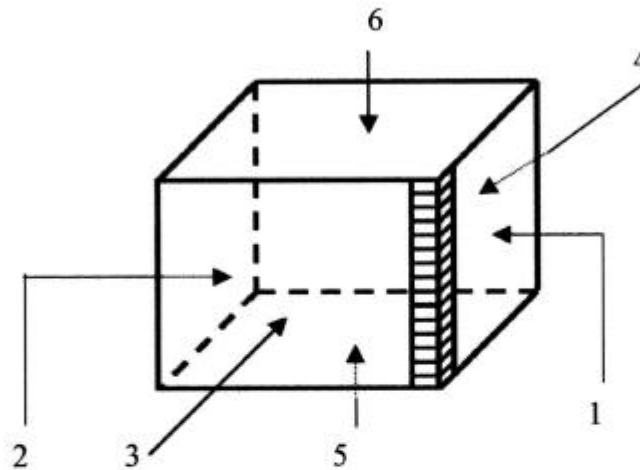
Drop Height : 76.2 cm
Drop Onto : 1 corner, 3 edge & 6 face

TEST RESULT :

Appearance check : No damage
Function check : **The pass or failed judgment by AAEON engineers.**



TESTING / INSPECTION REPORT



1	The 1-3-5 Corner	Corner
2	The shortest edge radiating from that corner	Edge
3	The next longest edge radiating from that corner	Edge
4	The longest edge radiating from that corner	Edge
5	Flat on one of the smallest faces	Flat
6	Flat on one of the opposite small faces	Flat
7	Flat on one of the medium faces	Flat
8	Flat on one of the opposite medium faces	Flat
9	Flat on one of the largest faces	Flat
10	Flat on one of the opposite largest faces	Flat

KING DESIGN INDUSTRIAL CO., LTD.
5F, NO 3, Lane 270, Pei Shen Road Sec.3,
Shen Keng Hsiang, Tapei Hsien 222, Taiwan, R.O.C
TEL: 886-2-2662-5100 FAX: 886-2-2662-3094

VIBRATION LABORATORY
<http://www.king-design.com.tw>
E-mail: kingdsgn@ms8.hinet.net

TESTING / INSPECTION REPORT

Testing photos Corner



KING DESIGN INDUSTRIAL CO., LTD.
5F, NO 3, Lane 270, Pei Shen Road Sec.3,
Shen Keng Hsiang, Tapei Hsien 222, Taiwan, R.O.C
TEL: 886-2-2662-5100 FAX: 886-2-2662-3094

VIBRATION LABORATORY
<http://www.king-design.com.tw>
E-mail: kingdsgn@ms8.hinet.net

TESTING / INSPECTION REPORT

Testing photos Edge



TESTING / INSPECTION REPORT

Testing photos Face

