



KING DESIGN INDUSTRIAL CO., LTD.
 5F, NO. 3, LANE 94, TSAO TI WEI, SHEN KENG
 HSIANG, TAIPEI HSIEN, TAIWAN, R.O.C.

Reliability & Communication Testing Instruments

http://www.instrument.com.tw
 E-mail: kingdsgn@ms8.hinet.net
 TEL: 886-2-2662-5100 FAX: 886-2-2662-3094

TESTING / INSPECTION REPORT

DATE : July 17, 2000
 REPORT NO : DT-000717-6

COMPANY : AAeon Technology Inc.
 5F, No.135, Lane 235, Pao Chiao Rd.
 Hsin-Tien City, Taipei, Taiwan, R. O. C.
 TEL:886-2-8919-1234
 FAX:886-2-8919-1049


SPECIMEN : Control Boxes & Chassis

TEST / INSPECTION ITEMS : Drop Test (See Page 2)

REMARKS :

- The results only apply to the device under test.
- This report is 7 pages, and no part of it may be abstracted or reproduced.
- Attached pages are controlling pulse of drop test.

| | | |
|-----------------|-----------------|---|
| Test Engineer : | <i>Chiping</i> | |
| Approved by : | <i>Dave Lee</i> | Laboratory Head : <i>2000.7.19 Hung</i> |





Reliability & Communication Testing Instruments

KING DESIGN INDUSTRIAL CO., LTD.
5F, NO. 3, LANE 94, TSAO TI WEI, SHEN KENG
HSIANG, TAIPEI HSIEN, TAIWAN, R.O.C.

<http://www.instrument.com.tw>
E-mail: kingsgn@ms8.hinet.net
TEL: 886-2-2662-5100 FAX: 886-2-2662-3094

TESTING / INSPECTION REPORT

TESTING EQUIPMENT :

- 1.Drop Testing System : KD-128A
- 2.Controller : KDMS12004
- 3.Measuring Accelerometer : KISTLER 8793A500 (S/N: C119425)

TEST ENVIRONMENT :

- Temperature : $20 \pm 2^{\circ}\text{C}$
- Humidity : $70 \pm 20\% \text{RH}$

SPECIMEN :

- Model : ACS-2307
- Quantity : 1 piece

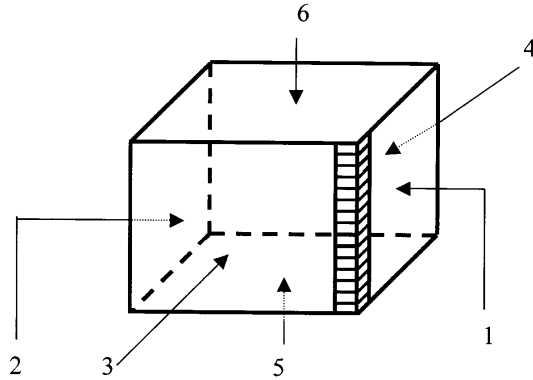
DROP TEST SPECIFICATION :

- Drop Height : 61 cm
- Drop Onto : 1 corner, 3edge & 6 face

TEST RESULT :

- Function check : Normal

TESTING / INSPECTION REPORT



| | | |
|----|--|--------|
| 1 | The 1-3-5 Corner | Corner |
| 2 | The shortest edge radiating from that corner | Edge |
| 3 | The next longest edge radiating from that corner | Edge |
| 4 | The longest edge radiating from that corner | Edge |
| 5 | Flat on one of the smallest faces | Flat |
| 6 | Flat on one of the opposite small faces | Flat |
| 7 | Flat on one of the medium faces | Flat |
| 8 | Flat on one of the opposite medium faces | Flat |
| 9 | Flat on one of the largest faces | Flat |
| 10 | Flat on one of the opposite largest faces | Flat |



Reliability & Communication Testing Instruments

KING DESIGN INDUSTRIAL CO., LTD.
5F, NO. 3, LANE 94, TSAO TI WEI, SHEN KENG
HSIANG, TAIPEI HSIEN, TAIWAN, R.O.C.

<http://www.instrument.com.tw>
E-mail: kingdsgn@ms8.hinet.net
TEL: 886-2-2662-5100 FAX: 886-2-2662-3094

TESTING / INSPECTION REPORT

Testing photos Corner





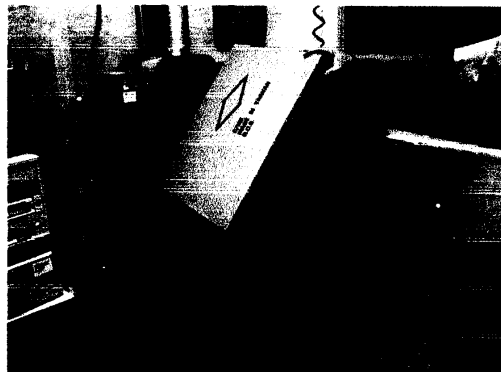
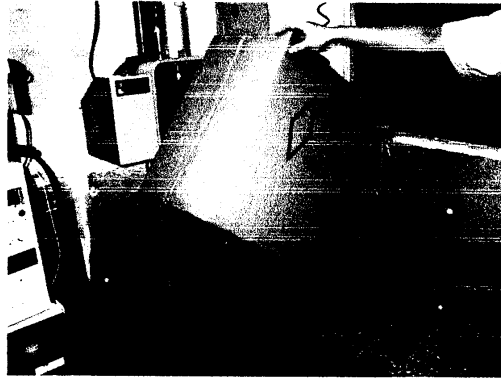
Reliability & Communication Testing Instruments

KING DESIGN INDUSTRIAL CO., LTD.
5F, NO. 3, LANE 94, TSAO TI WEI, SHEN KENG
HSIANG, TAIPEI HSIEN, TAIWAN, R.O.C.

<http://www.instrument.com.tw>
E-mail: kingdsgn@ms8.hinet.net
TEL: 886-2-2662-5100 FAX: 886-2-2662-3094

TESTING / INSPECTION REPORT

Testing photos Edge



TELECOMS / VIBRATION / SHOCK INSTRUMENTS



KING DESIGN INDUSTRIAL CO., LTD.
5F, NO. 3, LANE 94, TSAO TI WEI, SHEN KENG
HSIANG, TAIPEI HSIEN, TAIWAN, R.O.C.

Reliability & Communication Testing Instruments

<http://www.instrument.com.tw>
E-mail: kingsgn@ms8.hinet.net
TEL: 886-2-2662-5100 FAX: 886-2-2662-3094

TESTING / INSPECTION REPORT

Testing photos Edge





Reliability & Communication Testing Instruments

KING DESIGN INDUSTRIAL CO., LTD.
5F, NO. 3, LANE 94, TSAO TI WEI, SHEN KENG
HSIANG, TAIPEI HSIEN, TAIWAN, R.O.C.

<http://www.instrument.com.tw>
E-mail: kingsgn@ms8.hinet.net
TEL: 886-2-2662-5100 FAX: 886-2-2662-3094

TESTING / INSPECTION REPORT

Testing photos Face

