

Report NO: 13P010009

# ACP-5187

## Fanless Touch Panel with Intel Core

### P5 Verification Test Report

Summary	<input checked="" type="checkbox"/> Pass <input type="checkbox"/> Fail <input type="checkbox"/> Pass with Deviation (Comment: _____)			
	Test Results Category			
	Critical	Major	Minor	Enhancement
Defect Found	0	0	0	0
Defect Unsolved	0	0	0	0

Issue date

2013/08/23

Approval

Tom Lin

Test Engineer

Louie Lee

**Version Released Records**

Date	Version	Change History	Note
2010/04/21	P3-1001	1. Re-composing test Items	
2010/06/01	P2P3-1001	1. New Test Report	
2010/06/21	P2P3-1002	1. Add BIOS -> SPI ROM Setting (South Bridge – GPIO)	
2010/12/02	P2P3-1003	1. New Test Report	
2011/02/23	P2P3-1101	1. Re-composing test Items	
2011/03/04	P2P3-1102	1. Add Specification Validation	
2012/0529	P2P3-1201	1. Add Summary Table of DTS	

**Note :**

For all test items in this report, 3 results have been defined and described as following:

- Pass:            Functionality work perfectly
- Fail:            Functionality failed and must be resolved in the next version
- N/A:            Functionality Not Applicable or Not Available

This test report would be updated when re-test completed in product next change version.

## Specification Verification

### Main Specification

Item	Specification	Result			Note
		Pass	Fail	N/A	
Product Name	ACP-5187HTT-A1-1010	<input checked="" type="checkbox"/>	<input type="checkbox"/>	<input type="checkbox"/>	
Construction	Plastic front bezel and Aluminum chassis	<input checked="" type="checkbox"/>	<input type="checkbox"/>	<input type="checkbox"/>	
Display	18.5", 1366 x 768, 300 nit	<input checked="" type="checkbox"/>	<input type="checkbox"/>	<input type="checkbox"/>	
Touch Screen	Projected Capacitive Touch Window ( two points )	<input checked="" type="checkbox"/>	<input type="checkbox"/>	<input type="checkbox"/>	
CPU Board	GENE-QM77	<input checked="" type="checkbox"/>	<input type="checkbox"/>	<input type="checkbox"/>	
Processor	Support Intel i7-3610QE / i5-3510ME / Celeron 1020E	<input checked="" type="checkbox"/>	<input type="checkbox"/>	<input type="checkbox"/>	
System Memory	DDR3 ,SODIMM (204pin) x 1, Max. 8GB ( Default 2G RAM )	<input checked="" type="checkbox"/>	<input type="checkbox"/>	<input type="checkbox"/>	
Storage	SATA 2.5" HDD bay x 1 and Cfast x 1	<input checked="" type="checkbox"/>	<input type="checkbox"/>	<input type="checkbox"/>	
Rear I/O	Smart card reader x 1 (USB interface) (Inside the system) Barcode scanner x 1 (1-D scanner)(USB interface) (bottom of the system) 2W Speaker x 2	<input checked="" type="checkbox"/>	<input type="checkbox"/>	<input type="checkbox"/>	
Side I/O	2x USB 2.0	<input checked="" type="checkbox"/>	<input type="checkbox"/>	<input type="checkbox"/>	
Bottom I/O	USB 3.0 x 2 USB 2.0 x 2 RS-232 x 1 ( DB-9 ) LAN x 2 DVI-I Power input x 1 Line out x 1 ATX power button	<input checked="" type="checkbox"/>	<input type="checkbox"/>	<input type="checkbox"/>	
Expansion	Mini PCIe Card x 1	<input checked="" type="checkbox"/>	<input type="checkbox"/>	<input type="checkbox"/>	
Mounting	VESA / Desktop mount	<input checked="" type="checkbox"/>	<input type="checkbox"/>	<input type="checkbox"/>	
Power Supply	ATX Power function DC Input 12 V w/ lock connector	<input checked="" type="checkbox"/>	<input type="checkbox"/>	<input type="checkbox"/>	
Dimensions	TBD	<input type="checkbox"/>	<input type="checkbox"/>	<input checked="" type="checkbox"/>	
Net weight	TBD	<input type="checkbox"/>	<input type="checkbox"/>	<input checked="" type="checkbox"/>	
Gross weight	TBD	<input type="checkbox"/>	<input type="checkbox"/>	<input checked="" type="checkbox"/>	
Carton size	TBD	<input type="checkbox"/>	<input type="checkbox"/>	<input checked="" type="checkbox"/>	
Color	TBD	<input type="checkbox"/>	<input type="checkbox"/>	<input checked="" type="checkbox"/>	
Front Button	WebCam x 1 (optional)	<input checked="" type="checkbox"/>	<input type="checkbox"/>	<input type="checkbox"/>	
	RFID reader x 1 (optional)	<input type="checkbox"/>	<input type="checkbox"/>	<input checked="" type="checkbox"/>	
Touch Button	Backlight + Backlight – Volume + Volume – Backlight on/off	<input type="checkbox"/>	<input type="checkbox"/>	<input checked="" type="checkbox"/>	

**O.S. Support**

Item	Specification	Result			Note
		Pass	Fail	N/A	
Microsoft Embedded	Windows CE 6.0	<input type="checkbox"/>	<input type="checkbox"/>	<input checked="" type="checkbox"/>	
	Windows XP Embedded	<input type="checkbox"/>	<input type="checkbox"/>	<input checked="" type="checkbox"/>	
Microsoft Windows	Windows XP Pro(32bit)	<input checked="" type="checkbox"/>	<input type="checkbox"/>	<input type="checkbox"/>	
	Windows 7 (32-bit & 64-bit)	<input checked="" type="checkbox"/>	<input type="checkbox"/>	<input type="checkbox"/>	
	Windows 8 (32-bit & 64-bit)	<input checked="" type="checkbox"/>	<input type="checkbox"/>	<input type="checkbox"/>	
Linux	Linux kernel 2.6.3	<input checked="" type="checkbox"/>	<input type="checkbox"/>	<input type="checkbox"/>	

**Environmental Specifications**

Item	Specification
Operating temperature	32°F ~ 104°F (0°C ~ 40°C) ( HDD )
Storage temperature	-4 ~ 158° F (-20 ~ 70° C)
Storage humidity	5 ~ 90% @ 40C, non-condensing
Vibration	1G RMS / 5~ 500Hz / operation – With HDD
Shock	20G peak acceleration (11 msec. duration) – With HDD
Drop	1 Cycle, 61cm(High) (1 Corner, 3 Edge, 6 Surface)
EMC	CE /FCC class A

**Note:** Please refer Environment Test Report for detail information

## Platform Information

Item	Device Information	Test Item
System Model/Version	ACP-5187 A1.0	1,2,3,4,5,6,7,8,9
CPU Board	GENE-QM77 A1.0	1,2,3,4,5,6,7,8,9
Carrier Board	N/A	N/A
BIOS / Version	ACP-5187 R1.0(C5I7AM10)(6/24/2013)	1,2,3,4,5,6,7,8,9
CPU Type	Intel® Core™ i7-3610QE Processor (6M Cache, up to 3.30 GHz) Intel® Celeron® Processor 1020E (2M Cache, 2.20 GHz) Intel® Celeron® Processor B810 (2M Cache, 1.60 GHz)	1,2,3,4,5,6,7,8,9
Memory Type	DSL DDR3 1333 CL9 8GB ELPIDA J4208BBBG-GN-F DSL DDR3 1333 2GB	1,2,3,4,5,6,7,8,9
SATA HDD	Fujitsu MHZ2080BH G2 2.5" 80GB	1,2,3,4,5,6,7,8,9
SATA DVD-ROM	N/A	N/A
USB DVD-ROM	ASUS SDRW-08D2S-U/DBLK/G/AS	1,2,3,4,5,6,7,8,9
LCD Monitor	Dell U2410 24" 1920*1200 monitor	1,2,3,4,5,6,7,8,9
LVDS	AUO G185XW01 V1 1366*768	1,2,3,4,5,6,7,8,9
Compact Flash	N/A	N/A
Daughter Board	N/A	N/A
Expansion Board	N/A	N/A
	N/A	N/A
Operating System	<input checked="" type="checkbox"/> English Fedora Core 15 – Kernel 2.6.38.6-26.rc1.fc15.i686.PAE	6-1
	<input checked="" type="checkbox"/> Windows 7 Ultimate 32/64Bit	6-2
	<input checked="" type="checkbox"/> Windows XP Professional English SP3 32 Bit	6-3
	<input checked="" type="checkbox"/> Windows 8 Pro 32/64Bit	6-4
Power Supply	ATX Power Supply : N/A	N/A
	AT Power Supply: N/A	N/A
	DC Adapter : FSP084-DMAA1 12V/ 7A	1,2,3,4,5,6,7,8,9
Battery Model	N/A	N/A
<b>Chipset Information with Windows 7 Ultimate English Version 32Bit Driver Version</b>		
Chipset Software	Intel Chipset Device Software 9.3.0.1019(12/06/2011)	
PCH Bridge	Intel QM77	
Super IO Chipset	ITE IT8728F + Fintek F81216D	
VGA Chipset	Intel HD Graphics 4000 8.15.10.2761(5/21/2012)	
Audio Chipset	Realtek High Definition Audio 6.0.1.6363 (5/3/2011)	
Ethernet1 Chipset	Intel 82579LM Gigabit Network Connection 11.16.96.0(3/15/2012)	
Ethernet2 Chipset	Realtek RTL8111E PCIe GBE Family Controller 7.50.1123.2011(11/23/2011)	

## Summary Table of contents:

1. OSD Control Function Test.....	7
1.1. OSD Control Test .....	7
1.2. OSD - On Screen Display Test.....	7
1.3. OSD Light Test.....	7
1.4. Modular System Industrial Workstation Function Test.....	7
1.5. Mechanism construction check .....	8
1.6. Icon Function check .....	8
2. Basic Function Test.....	9
2.1. Video Function Test .....	9
2.2. Audio Function Test .....	11
2.3. LAN Function Test .....	11
2.4. Optional Function Test .....	13
3. Integration Test.....	14
3.1. USB Port Integration Test.....	14
3.2. Digital I/O Port Test.....	14
3.3. COM Port Integration Test .....	14
3.4. RS-422 / RS-485 Test.....	15
3.5. LPT Port Test.....	15
3.6. Burn In Test .....	15
4. Application Test.....	16
4.1. Mini PCIe Card Compatibility Test.....	16
5. Time Accuracy Test.....	16
5.1. System Clock & RTC Clock Test.....	16
5.2. Booting Timer Test .....	16
5.3. Watchdog Timer Test .....	16
6. O.S. Compatibility Test .....	17
6.1. English Fedora Core 15 – Kernel 2.6.38.6-26.rc1.fc15.i686.PAE .....	17
6.2. Windows 7 Ultimate English Version 32/64Bit .....	18
6.3. Windows XP Professional English Version 32bit .....	19
6.4. Windows 8 English Version 32/64Bit .....	20
7. BIOS Function Test .....	22
7.1. Advanced Test .....	22
7.2. Chipset Test.....	22
7.3. Boot Test .....	23
7.4. CMOS Backup / Clear CMOS Test .....	23
7.5. AAEON Tag Check Utility.....	23
7.6. Supervisor / User Password Test .....	23
7.7. PC Health Status .....	23
7.8. Hi-safe Test.....	24
7.9. Hi-Manager Test .....	24
8. Performance Test .....	25
9. Battery Test .....	27
9.1. Power Charge LED Test .....	27
9.2. Battery Life/Thermal Test.....	27
9.3. Power Option Alarm Test.....	27

# 1. OSD Control Function Test

## 1.1. OSD Control Test

OSD Control Function	Function			Note
	Pass	Fail	N/A	
Brightness UP	<input type="checkbox"/>	<input type="checkbox"/>	<input checked="" type="checkbox"/>	
Brightness DOWN	<input type="checkbox"/>	<input type="checkbox"/>	<input checked="" type="checkbox"/>	
POWER(Backlight on /off)	<input type="checkbox"/>	<input type="checkbox"/>	<input checked="" type="checkbox"/>	

## 1.2. OSD - On Screen Display Test

OSD - On Screen Display	Function			Note
	Pass	Fail	N/A	
Input Source	<input type="checkbox"/>	<input type="checkbox"/>	<input checked="" type="checkbox"/>	OSD Control by system
PIP Enable	<input type="checkbox"/>	<input type="checkbox"/>	<input checked="" type="checkbox"/>	
Auto Tune	<input type="checkbox"/>	<input type="checkbox"/>	<input checked="" type="checkbox"/>	
Backlight	<input type="checkbox"/>	<input type="checkbox"/>	<input checked="" type="checkbox"/>	
Brightness	<input type="checkbox"/>	<input type="checkbox"/>	<input checked="" type="checkbox"/>	
Contrast	<input type="checkbox"/>	<input type="checkbox"/>	<input checked="" type="checkbox"/>	
Color	<input type="checkbox"/>	<input type="checkbox"/>	<input checked="" type="checkbox"/>	
Quality	<input type="checkbox"/>	<input type="checkbox"/>	<input checked="" type="checkbox"/>	
Position	<input type="checkbox"/>	<input type="checkbox"/>	<input checked="" type="checkbox"/>	
Language	<input type="checkbox"/>	<input type="checkbox"/>	<input checked="" type="checkbox"/>	
Recall	<input type="checkbox"/>	<input type="checkbox"/>	<input checked="" type="checkbox"/>	
Save Exit	<input type="checkbox"/>	<input type="checkbox"/>	<input checked="" type="checkbox"/>	
Cancel Exit	<input type="checkbox"/>	<input type="checkbox"/>	<input checked="" type="checkbox"/>	

## 1.3. OSD Light Test

OSD Control Function	Function			Note
	Pass	Fail	N/A	
Power off	<input type="checkbox"/>	<input type="checkbox"/>	<input checked="" type="checkbox"/>	
Power on	<input type="checkbox"/>	<input type="checkbox"/>	<input checked="" type="checkbox"/>	
Stand by	<input type="checkbox"/>	<input type="checkbox"/>	<input checked="" type="checkbox"/>	Into S1 / S3 and see light function

## 1.4. Modular System Industrial Workstation Function Test

Test Item	Result			Note
	Pass	Fail	N/A	
DC power outlet / inlet	<input checked="" type="checkbox"/>	<input type="checkbox"/>	<input type="checkbox"/>	
Power On / Off	<input checked="" type="checkbox"/>	<input type="checkbox"/>	<input type="checkbox"/>	
Power LED	<input type="checkbox"/>	<input type="checkbox"/>	<input checked="" type="checkbox"/>	
H.D.D LED	<input type="checkbox"/>	<input type="checkbox"/>	<input checked="" type="checkbox"/>	
CD-ROM drive included	<input type="checkbox"/>	<input type="checkbox"/>	<input checked="" type="checkbox"/>	
Floppy drive included	<input type="checkbox"/>	<input type="checkbox"/>	<input checked="" type="checkbox"/>	
Lockable front-panel door	<input type="checkbox"/>	<input type="checkbox"/>	<input checked="" type="checkbox"/>	
Touch panel	<input checked="" type="checkbox"/>	<input type="checkbox"/>	<input type="checkbox"/>	
59 Data-entry&20/24 Function keys	<input type="checkbox"/>	<input type="checkbox"/>	<input checked="" type="checkbox"/>	

## 1.5. Mechanism construction check

Test Item	Result			Note
	Pass	Fail	N/A	
Case construction check	<input checked="" type="checkbox"/>	<input type="checkbox"/>	<input type="checkbox"/>	
PCMCIA construction check	<input type="checkbox"/>	<input type="checkbox"/>	<input checked="" type="checkbox"/>	
CFast Card construction check	<input checked="" type="checkbox"/>	<input type="checkbox"/>	<input type="checkbox"/>	Please check both ( Type I and Type II )
Component check	<input checked="" type="checkbox"/>	<input type="checkbox"/>	<input type="checkbox"/>	

## 1.6. Icon Function check

Test Item	Result			Note
	Pass	Fail	N/A	
Power on/off	<input checked="" type="checkbox"/>	<input type="checkbox"/>	<input type="checkbox"/>	
Speaker +	<input checked="" type="checkbox"/>	<input type="checkbox"/>	<input type="checkbox"/>	
Speaker -	<input checked="" type="checkbox"/>	<input type="checkbox"/>	<input type="checkbox"/>	
Backlight+	<input checked="" type="checkbox"/>	<input type="checkbox"/>	<input type="checkbox"/>	
Backlight-	<input checked="" type="checkbox"/>	<input type="checkbox"/>	<input type="checkbox"/>	



## 2. Basic Function Test

### 2.1. Video Function Test

#### 2.1.1. Single Output Function Test

Hardware Information with Windows 7 Ultimate SP1 English 32 Bit Driver Version										
CPU	Intel® Core™ i7-3610QE Processor (6M Cache, up to 3.30 GHz)									
Memory	DSL DDR3 1333/8GB CL9									
HDD	Fujitsu MHZ2080BH 2.5"/5400rpm 80GB									
VGA	Dell U2410 24" 1920*1200 monitor									
DVI	Dell U2410 24" 1920*1200 monitor									
LVDS	AUO G185XW01 V1 1366*768									
Color Quality	<input checked="" type="checkbox"/> 16bit <input type="checkbox"/> 24bit <input checked="" type="checkbox"/> 32bit									
Resolution	DVI-A			DVI-D			LVDS			Note
	Pass	Fail	N/A	Pass	Fail	N/A	Pass	Fail	N/A	
640X480	<input type="checkbox"/>	<input type="checkbox"/>	<input checked="" type="checkbox"/>	<input type="checkbox"/>	<input type="checkbox"/>	<input checked="" type="checkbox"/>	<input type="checkbox"/>	<input type="checkbox"/>	<input checked="" type="checkbox"/>	
800X600	<input checked="" type="checkbox"/>	<input type="checkbox"/>	<input type="checkbox"/>	<input checked="" type="checkbox"/>	<input type="checkbox"/>	<input type="checkbox"/>	<input checked="" type="checkbox"/>	<input type="checkbox"/>	<input type="checkbox"/>	
1024X768	<input checked="" type="checkbox"/>	<input type="checkbox"/>	<input type="checkbox"/>	<input checked="" type="checkbox"/>	<input type="checkbox"/>	<input type="checkbox"/>	<input checked="" type="checkbox"/>	<input type="checkbox"/>	<input type="checkbox"/>	
1152X864	<input checked="" type="checkbox"/>	<input type="checkbox"/>	<input type="checkbox"/>	<input checked="" type="checkbox"/>	<input type="checkbox"/>	<input type="checkbox"/>	<input type="checkbox"/>	<input type="checkbox"/>	<input checked="" type="checkbox"/>	
1280X600	<input checked="" type="checkbox"/>	<input type="checkbox"/>	<input type="checkbox"/>	<input checked="" type="checkbox"/>	<input type="checkbox"/>	<input type="checkbox"/>	<input checked="" type="checkbox"/>	<input type="checkbox"/>	<input type="checkbox"/>	
1280X720	<input checked="" type="checkbox"/>	<input type="checkbox"/>	<input type="checkbox"/>	<input checked="" type="checkbox"/>	<input type="checkbox"/>	<input type="checkbox"/>	<input checked="" type="checkbox"/>	<input type="checkbox"/>	<input type="checkbox"/>	
1280X768	<input checked="" type="checkbox"/>	<input type="checkbox"/>	<input type="checkbox"/>	<input checked="" type="checkbox"/>	<input type="checkbox"/>	<input type="checkbox"/>	<input checked="" type="checkbox"/>	<input type="checkbox"/>	<input type="checkbox"/>	
1280X960	<input checked="" type="checkbox"/>	<input type="checkbox"/>	<input type="checkbox"/>	<input checked="" type="checkbox"/>	<input type="checkbox"/>	<input type="checkbox"/>	<input type="checkbox"/>	<input type="checkbox"/>	<input checked="" type="checkbox"/>	
1280X1024	<input checked="" type="checkbox"/>	<input type="checkbox"/>	<input type="checkbox"/>	<input checked="" type="checkbox"/>	<input type="checkbox"/>	<input type="checkbox"/>	<input type="checkbox"/>	<input type="checkbox"/>	<input checked="" type="checkbox"/>	
1360X768	<input checked="" type="checkbox"/>	<input type="checkbox"/>	<input type="checkbox"/>	<input checked="" type="checkbox"/>	<input type="checkbox"/>	<input type="checkbox"/>	<input checked="" type="checkbox"/>	<input type="checkbox"/>	<input type="checkbox"/>	
1366X768	<input checked="" type="checkbox"/>	<input type="checkbox"/>	<input type="checkbox"/>	<input checked="" type="checkbox"/>	<input type="checkbox"/>	<input type="checkbox"/>	<input checked="" type="checkbox"/>	<input type="checkbox"/>	<input type="checkbox"/>	
1400X1050	<input checked="" type="checkbox"/>	<input type="checkbox"/>	<input type="checkbox"/>	<input checked="" type="checkbox"/>	<input type="checkbox"/>	<input type="checkbox"/>	<input type="checkbox"/>	<input type="checkbox"/>	<input checked="" type="checkbox"/>	
1600X900	<input checked="" type="checkbox"/>	<input type="checkbox"/>	<input type="checkbox"/>	<input checked="" type="checkbox"/>	<input type="checkbox"/>	<input type="checkbox"/>	<input type="checkbox"/>	<input type="checkbox"/>	<input checked="" type="checkbox"/>	
1600X1200	<input checked="" type="checkbox"/>	<input type="checkbox"/>	<input type="checkbox"/>	<input checked="" type="checkbox"/>	<input type="checkbox"/>	<input type="checkbox"/>	<input type="checkbox"/>	<input type="checkbox"/>	<input checked="" type="checkbox"/>	
1680X1050	<input checked="" type="checkbox"/>	<input type="checkbox"/>	<input type="checkbox"/>	<input checked="" type="checkbox"/>	<input type="checkbox"/>	<input type="checkbox"/>	<input type="checkbox"/>	<input type="checkbox"/>	<input checked="" type="checkbox"/>	
1792X1344	<input type="checkbox"/>	<input type="checkbox"/>	<input checked="" type="checkbox"/>	<input type="checkbox"/>	<input type="checkbox"/>	<input checked="" type="checkbox"/>	<input type="checkbox"/>	<input type="checkbox"/>	<input checked="" type="checkbox"/>	
1856X1392	<input type="checkbox"/>	<input type="checkbox"/>	<input checked="" type="checkbox"/>	<input type="checkbox"/>	<input type="checkbox"/>	<input checked="" type="checkbox"/>	<input type="checkbox"/>	<input type="checkbox"/>	<input checked="" type="checkbox"/>	
1920X1080	<input checked="" type="checkbox"/>	<input type="checkbox"/>	<input type="checkbox"/>	<input checked="" type="checkbox"/>	<input type="checkbox"/>	<input type="checkbox"/>	<input type="checkbox"/>	<input type="checkbox"/>	<input checked="" type="checkbox"/>	
1920X1200	<input checked="" type="checkbox"/>	<input type="checkbox"/>	<input type="checkbox"/>	<input checked="" type="checkbox"/>	<input type="checkbox"/>	<input type="checkbox"/>	<input type="checkbox"/>	<input type="checkbox"/>	<input checked="" type="checkbox"/>	
1920X1440	<input type="checkbox"/>	<input type="checkbox"/>	<input checked="" type="checkbox"/>	<input type="checkbox"/>	<input type="checkbox"/>	<input checked="" type="checkbox"/>	<input type="checkbox"/>	<input type="checkbox"/>	<input checked="" type="checkbox"/>	
2048X1536	<input type="checkbox"/>	<input type="checkbox"/>	<input checked="" type="checkbox"/>	<input type="checkbox"/>	<input type="checkbox"/>	<input checked="" type="checkbox"/>	<input type="checkbox"/>	<input type="checkbox"/>	<input checked="" type="checkbox"/>	
Rotation	<input checked="" type="checkbox"/>	<input type="checkbox"/>	<input type="checkbox"/>	<input checked="" type="checkbox"/>	<input type="checkbox"/>	<input type="checkbox"/>	<input checked="" type="checkbox"/>	<input type="checkbox"/>	<input type="checkbox"/>	Rotation ( 0 / 90 /180 /270)

Note: Pay attention with Full Screen under POST screen and Text Mode.

### 2.1.2. Dual Output Function Test

Selection	Output	Result			Note
		Pass	Fail	N/A	
Dual Display Clone	DVI-A + DVI-D	<input checked="" type="checkbox"/>	<input type="checkbox"/>	<input type="checkbox"/>	
Dual Display Twin		<input type="checkbox"/>	<input type="checkbox"/>	<input checked="" type="checkbox"/>	
Extended Desktop		<input checked="" type="checkbox"/>	<input type="checkbox"/>	<input type="checkbox"/>	
Dual Display Clone	DVI-A + LVDS	<input checked="" type="checkbox"/>	<input type="checkbox"/>	<input type="checkbox"/>	
Dual Display Twin		<input type="checkbox"/>	<input type="checkbox"/>	<input checked="" type="checkbox"/>	
Extended Desktop		<input checked="" type="checkbox"/>	<input type="checkbox"/>	<input type="checkbox"/>	
Dual Display Clone	DVI-D + LVDS	<input checked="" type="checkbox"/>	<input type="checkbox"/>	<input type="checkbox"/>	
Dual Display Twin		<input type="checkbox"/>	<input type="checkbox"/>	<input checked="" type="checkbox"/>	
Extended Desktop		<input checked="" type="checkbox"/>	<input type="checkbox"/>	<input type="checkbox"/>	

### 2.1.3. Video Resolution Test

Test points:

1. Power on without inserting any VGA connector until system reaches Windows desktop
2. Plug VGA connector into test machine while system reaches Windows then check VGA driver and display
3. Check VGA output Brightness is normal and it shows "Ghost Image" / "Flicker" or not

	Result			Note
	Pass	Fail	N/A	
In Windows Desktop	<input checked="" type="checkbox"/>	<input type="checkbox"/>	<input type="checkbox"/>	

### 2.1.4. Video Resolution Test

LVDS Model	Result			Note
	Pass	Fail	N/A	
1_AUO G065VN01 V.0 / 6.5" / 640x480 / 18bit (4:3)	<input type="checkbox"/>	<input type="checkbox"/>	<input checked="" type="checkbox"/>	
2_AUO G065VN01 V.0 / 6.5" / 640x480 / 24bit (4:3)	<input type="checkbox"/>	<input type="checkbox"/>	<input checked="" type="checkbox"/>	
3_Data Image 7" / 800*480 / 18bit (16:9)	<input type="checkbox"/>	<input type="checkbox"/>	<input checked="" type="checkbox"/>	
4_AU G084SN05 V.3 / 8.4" / 800*600 / 18bit (4:3)	<input type="checkbox"/>	<input type="checkbox"/>	<input checked="" type="checkbox"/>	
5_AU B104SN02 V.0 / 10.4" / 800*600 / 18bit (4:3)	<input type="checkbox"/>	<input type="checkbox"/>	<input checked="" type="checkbox"/>	
6_AUO G084SN05 v7 / 8.4" / 800*600 / 24bit (4:3)	<input type="checkbox"/>	<input type="checkbox"/>	<input checked="" type="checkbox"/>	
7_AU G150XG01 V.0 / 15" / 1024*768 / 18bit (4:3)	<input type="checkbox"/>	<input type="checkbox"/>	<input checked="" type="checkbox"/>	
8_AU M150XN07 V.2 / 15" / 1024x768 / 24bit (4:3)	<input type="checkbox"/>	<input type="checkbox"/>	<input checked="" type="checkbox"/>	
9_Toshiba /12.1"/1280 x 768 x 18bit (16:9)	<input type="checkbox"/>	<input type="checkbox"/>	<input checked="" type="checkbox"/>	
10_AU M170EG01 V.D/ 17" / 1280*1024 / 48bit (4:3)	<input type="checkbox"/>	<input type="checkbox"/>	<input checked="" type="checkbox"/>	
11_AU M170XW01 V.1 / 17" / 1280x768 / 24bit (16:9)	<input type="checkbox"/>	<input type="checkbox"/>	<input checked="" type="checkbox"/>	
12_AUO T260XW02 / 26" / 1366x768 / 24bit	<input type="checkbox"/>	<input type="checkbox"/>	<input checked="" type="checkbox"/>	
13_AU M201UN02 V.5 / 20.1" / 1600x1200x48bit	<input type="checkbox"/>	<input type="checkbox"/>	<input checked="" type="checkbox"/>	
14_AUO T370HW01 / 37" / 1920x1080 / 48bit	<input type="checkbox"/>	<input type="checkbox"/>	<input checked="" type="checkbox"/>	
15_AUO G121XN01 V0 /12.1 /1024x768 /18bit	<input type="checkbox"/>	<input type="checkbox"/>	<input checked="" type="checkbox"/>	
16_AUO M190PW01 V0 / 19"/1440X900/48 bit	<input type="checkbox"/>	<input type="checkbox"/>	<input checked="" type="checkbox"/>	
17_AUO G150XG01 V3 1024x768	<input type="checkbox"/>	<input type="checkbox"/>	<input checked="" type="checkbox"/>	
18_AUO AUO G185XW01 V1 1366*768	<input checked="" type="checkbox"/>	<input type="checkbox"/>	<input type="checkbox"/>	

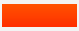


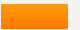


## 2.2. Audio Function Test

[ ] No Support

Function Test	Result			Note	
	Pass	Fail	N/A		
L (Left) Channel	<input checked="" type="checkbox"/>	<input type="checkbox"/>	<input type="checkbox"/>		
R (Right) Channel	<input checked="" type="checkbox"/>	<input type="checkbox"/>	<input type="checkbox"/>		
CD_In	<input type="checkbox"/>	<input type="checkbox"/>	<input checked="" type="checkbox"/>		
Line In	<input type="checkbox"/>	<input type="checkbox"/>	<input checked="" type="checkbox"/>		
MICROPHONE	<input type="checkbox"/>	<input type="checkbox"/>	<input checked="" type="checkbox"/>		
6-channel mode for 5.1 speaker output	<input type="checkbox"/>	<input type="checkbox"/>	<input checked="" type="checkbox"/>		
8-channel mode for 7.1 speaker output	<input type="checkbox"/>	<input type="checkbox"/>	<input checked="" type="checkbox"/>		
S/P DIF function Test	Input	<input type="checkbox"/>	<input type="checkbox"/>	<input checked="" type="checkbox"/>	
	Output	<input type="checkbox"/>	<input type="checkbox"/>	<input checked="" type="checkbox"/>	

## 2.3. LAN Function Test

[ ] No Support

Connect two computers via different speed LAN HUB by using "Ping" instruction (1000 times)										
1000Mbps LAN HUB	D-Link DGS-1008D									
100Mbps LAN HUB	HP J4095A 24 Ports									
10Mbps LAN HUB	SVEC FD916H									
On Board LAN1	Intel(R) 82579LM Gigabit Network						MAC Address	00-07-32-23-1B-45		
On Board LAN2	Realtek® 8111E PCIe Gigabit LAN controller						MAC Address	00-07-32-23-1B-13		
LAN Speed	Link / Speed LED	Active LED	LAN 1			LAN 2			Note	
			Pass	Fail	N/A	Pass	Fail	N/A		
1000Mbps			<input checked="" type="checkbox"/>	<input type="checkbox"/>	<input type="checkbox"/>	<input checked="" type="checkbox"/>	<input type="checkbox"/>	<input type="checkbox"/>		
100Mbps			<input checked="" type="checkbox"/>	<input type="checkbox"/>	<input type="checkbox"/>	<input checked="" type="checkbox"/>	<input type="checkbox"/>	<input type="checkbox"/>		
10Mbps			<input checked="" type="checkbox"/>	<input type="checkbox"/>	<input type="checkbox"/>	<input checked="" type="checkbox"/>	<input type="checkbox"/>	<input type="checkbox"/>		
Wake On LAN			<input checked="" type="checkbox"/>	<input type="checkbox"/>	<input type="checkbox"/>	<input checked="" type="checkbox"/>	<input type="checkbox"/>	<input type="checkbox"/>	S1,S3,S4,S5, DOS off WOL can't support when Erp function enable.	
Boot ROM to Novell 4.11 [RPL]			<input type="checkbox"/>	<input type="checkbox"/>	<input checked="" type="checkbox"/>	<input type="checkbox"/>	<input type="checkbox"/>	<input checked="" type="checkbox"/>		
LAN Boot (PXE)			<input checked="" type="checkbox"/>	<input type="checkbox"/>	<input type="checkbox"/>	<input checked="" type="checkbox"/>	<input type="checkbox"/>	<input type="checkbox"/>		
Internet Browser (DHCP Server)			<input checked="" type="checkbox"/>	<input type="checkbox"/>	<input type="checkbox"/>	<input checked="" type="checkbox"/>	<input type="checkbox"/>	<input type="checkbox"/>		

### 2.3.2. Throughput Test

DUT Platform Information:

<input type="checkbox"/>	Fedora Core 13
<input type="checkbox"/>	Cent 5.5
<input checked="" type="checkbox"/>	Ubuntu 10.10 Kernel 2.6.35-22
<input type="checkbox"/>	Red Hat

Note : Connection-Level Performance (Interaction Constants Duration Time Set to 60 Sec.)

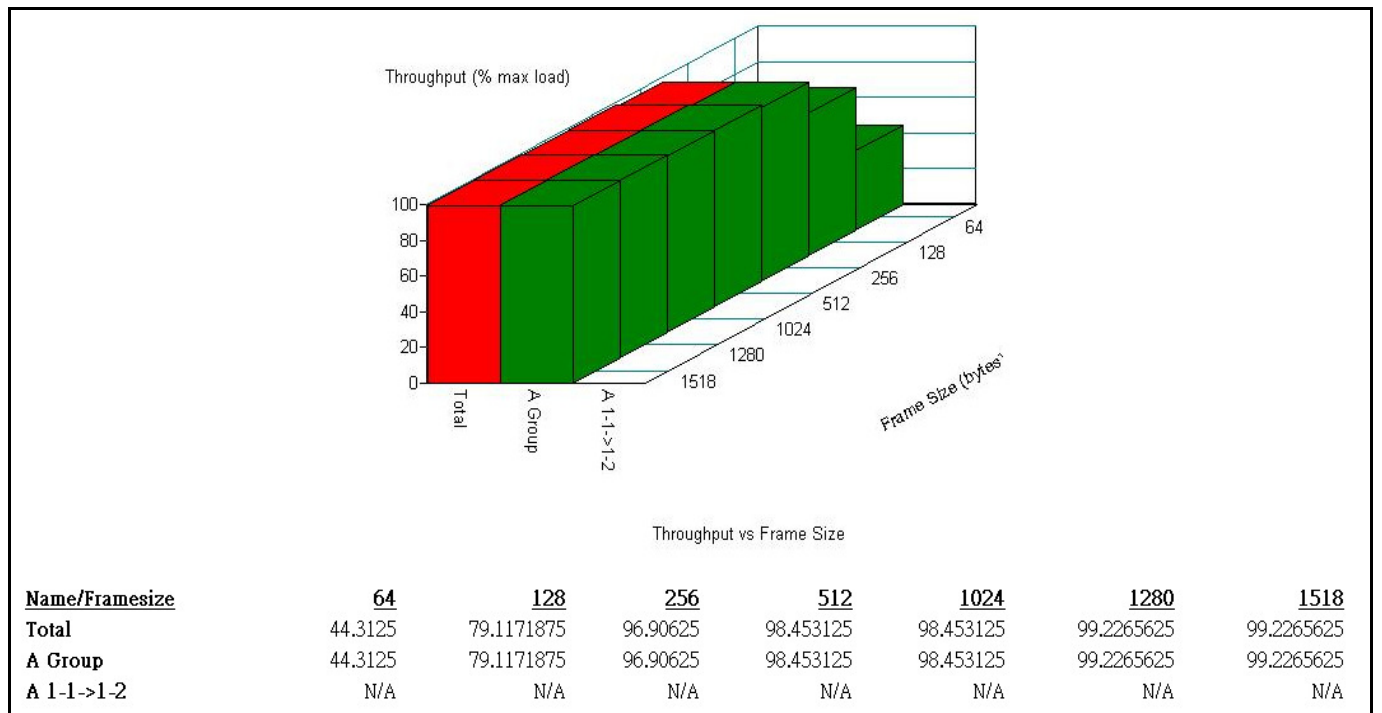
Graphics Media	Ubuntu Default setting
LAN	LAN1→ Realtek PCIe GBE Family Ethernet: 8.023.00
	LAN2→ Intel 82579LM Gigabit Ethernet: 1.3.10a
Audio Driver	Ubuntu Default setting

SMB Platform Information:

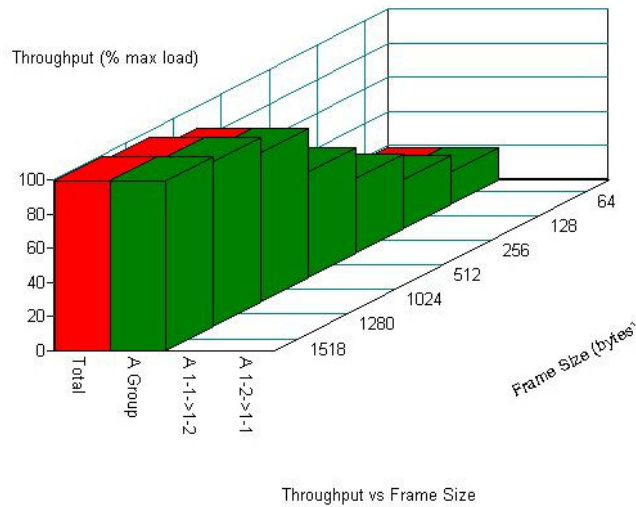
Chassis	SPIRENT Smartbits 600B
Chassis Version	2.80.003 (Cur) 2.50.000
Chassis Serial #	06014047
Library	6.00-29
API	5.50.42.01
File	0550042
Module	2 * LAN-3324A SmartMetrics XD 4-Port 10/100/1000Base-T Gigabit Ethernet
Test Software	SmartFlow5.50.42.1

Test Result:

1. Half Direction (LAN1: Realtek PCIe GBE Family Controller Ethernet ⇒ LAN2: Intel(R)82579LM Gigabit Network Connection Ethernet)



2. Binary Direction (LAN1: Realtek PCIe GBE Family Controller Ethernet ↔ LAN2: Intel(R)82579LM Gigabit Network Connection Ethernet)



Name/Frame Size	64	128	256	512	1024	1280	1518
Total	18.7890625	28.0703125	43.5390625	61.328125	86.8515625	96.1328125	99.2265625
A Group	18.7890625	28.0703125	43.5390625	61.328125	86.8515625	96.1328125	99.2265625
A 1-1->1-2	N/A	N/A	N/A	N/A	N/A	N/A	N/A
A 1-2->1-1	N/A	N/A	N/A	N/A	N/A	N/A	N/A

2.4. Optional Function Test

[ ] No Support

Function Test	Result			Note
	Pass	Fail	N/A	
Wireless LAN	<input checked="" type="checkbox"/>	<input type="checkbox"/>	<input type="checkbox"/>	
RFID reader	<input checked="" type="checkbox"/>	<input type="checkbox"/>	<input type="checkbox"/>	
Barcode scanner	<input checked="" type="checkbox"/>	<input type="checkbox"/>	<input type="checkbox"/>	
Webcam	<input checked="" type="checkbox"/>	<input type="checkbox"/>	<input type="checkbox"/>	
Smartcard reader	<input checked="" type="checkbox"/>	<input type="checkbox"/>	<input type="checkbox"/>	

### 3. Integration Test

Hardware Information Windows 7 Ultimate SP1 English SP1 32 Bit Driver Version	
CPU	Intel® Core™ i7-3610QE Processor (6M Cache, up to 3.30 GHz)
Memory	DSL DDR3 1333/8GB CL9
HDD	Fujitsu MHZ2080BH 2.5"/5400rpm 80GB
Chipset Information Windows 7 Ultimate SP1 English SP1 32 Bit Driver Version	
Chipset Software	Intel Chipset Device Software 9.3.0.1019(12/06/2011)
PCH Bridge	Intel QM77
Super IO Chipset	ITE IT8728F + Fintek F81216D
VGA Chipset	Intel HD Graphics 4000 8.15.10.2761(5/21/2012)
Audio Chipset	Realtek High Definition Audio 6.0.1.6363 (5/3/2011)
LAN1 Chipset	Intel 82579LM Gigabit Network Connection 11.16.96.0(3/15/2012)
LAN2 Chipset	Realtek RTL8111E PCIe GBE Family Controller 7.50.1123.2011(11/23/2011)

#### 3.1. USB Port Integration Test

Item	USB Port	Boot			Function(win7)			Note
		Pass	Fail	N/A	Pass	Fail	N/A	
USB HDD		<input checked="" type="checkbox"/>	<input type="checkbox"/>	<input type="checkbox"/>	<input checked="" type="checkbox"/>	<input type="checkbox"/>	<input type="checkbox"/>	
USB FDD Mitsumi D353GUE		<input checked="" type="checkbox"/>	<input type="checkbox"/>	<input type="checkbox"/>	<input checked="" type="checkbox"/>	<input type="checkbox"/>	<input type="checkbox"/>	
ASUS SDRW-08D2S-U/DBLK/G/AS		<input checked="" type="checkbox"/>	<input type="checkbox"/>	<input type="checkbox"/>	<input checked="" type="checkbox"/>	<input type="checkbox"/>	<input type="checkbox"/>	
USB Hub Test (Connect USB Device) HUB Port1: USB Keyboard / HUB Port2: USB Mouse / HUB Port3: USB HDD								
USB 2.0 HUB PowerSync / USB 2.0 4 Port HU-155					<input checked="" type="checkbox"/>	<input type="checkbox"/>	<input type="checkbox"/>	

#### 3.2. Digital I/O Port Test

DIO Address ( ___ )	Result			Note
	Pass	Fail	N/A	
DIO VCC +5V	<input type="checkbox"/>	<input type="checkbox"/>	<input checked="" type="checkbox"/>	

#### 3.3. COM Port Integration Test

Test Item	Result			Note
	Pass	Fail	N/A	
Serial Modem Dial Out	<input checked="" type="checkbox"/>	<input type="checkbox"/>	<input type="checkbox"/>	
Serial Modem	Ring In	<input checked="" type="checkbox"/>	<input type="checkbox"/>	Test by Modem
	+12V	<input type="checkbox"/>	<input type="checkbox"/>	Test by Multimeter
	+5V	<input type="checkbox"/>	<input type="checkbox"/>	Test by Multimeter

### 3.4. RS-422 / RS-485 Test

Test Item	Result			Note
	Pass	Fail	N/A	
RS-422 for COM2	<input type="checkbox"/>	<input type="checkbox"/>	<input checked="" type="checkbox"/>	Use loopback and WINSSD.exe to test RS-422 in Windows
	<input type="checkbox"/>	<input type="checkbox"/>	<input checked="" type="checkbox"/>	The communication between the RS-422 pots of two boards is linked by one 1200m cable on Windows Terminal
RS-485 for COM2	<input type="checkbox"/>	<input type="checkbox"/>	<input checked="" type="checkbox"/>	Use ICP CON I-7044D D/IO Module in Windows(Support Auto flow control)
	<input type="checkbox"/>	<input type="checkbox"/>	<input checked="" type="checkbox"/>	The communication between the RS-485 pots of two boards is linked by one 1200m cable on Windows Terminal

### 3.5. LPT Port Test

Test Item	Result			Note
	Pass	Fail	N/A	
XEROX Phaser 3124 Laser Printer	<input type="checkbox"/>	<input type="checkbox"/>	<input checked="" type="checkbox"/>	

### 3.6. Burn In Test

Under Room Temperature: 26 °C

Test Item	Result			Note
	Pass	Fail	N/A	
BurnIn Test V7.0 Pro	<input checked="" type="checkbox"/>	<input type="checkbox"/>	<input type="checkbox"/>	English Windows 7 Ultimate SP1 32 Bit

Note: COM PORT Speed Set to 9600.

## 4. Application Test

### 4.1. Mini PCIe Card Compatibility Test

Device Item	Function Test			Note
	Pass	Fail	N/A	
AZUREWAVE WF-NB041H Mini PCIe b/g/n WiFi w/ Bluetooth Card(half card)	<input checked="" type="checkbox"/>	<input type="checkbox"/>	<input type="checkbox"/>	
Aether COM-ME232s2 serial port (PCI-E interface)	<input checked="" type="checkbox"/>	<input type="checkbox"/>	<input type="checkbox"/>	

## 5. Time Accuracy Test

### 5.1. System Clock & RTC Clock Test

Under Room Temperature: 26 °C

Function	Item	Time Interval	Margin for error	Actual	Result			Note
					Pass	Fail	N/A	
RTC Clock in Power On Mode		24 hrs	+/-2 sec	-1 Sec	<input checked="" type="checkbox"/>	<input type="checkbox"/>	<input type="checkbox"/>	
RTC Clock in Power Off Mode		24 hrs	+/-2 sec	+0 Sec	<input checked="" type="checkbox"/>	<input type="checkbox"/>	<input type="checkbox"/>	

### 5.2. Booting Timer Test

Installation	Actual		Note
System Booting Time	5.0	Sec	Press the Power Button till "Beep" Sound appears

### 5.3. Watchdog Timer Test

Use Function as below: GQM77WDT.exe

[ ] No Support.

Time-Out Interval	Margin for error	Actual	Result			Note
			Pass	Fail	N/A	
10 sec	+/-2 sec	9.8 Sec	<input checked="" type="checkbox"/>	<input type="checkbox"/>	<input type="checkbox"/>	
64 sec	+/-2 sec	59.7 Sec	<input checked="" type="checkbox"/>	<input type="checkbox"/>	<input type="checkbox"/>	
255 sec	+/-2 sec	254.8 Sec	<input checked="" type="checkbox"/>	<input type="checkbox"/>	<input type="checkbox"/>	

Note : Under Room Temperature: 26°C / DOS Mode



## 6. O.S. Compatibility Test

### 6.1. English Fedora Core 15 – Kernel 2.6.38.6-26.rc1.fc15.i686.PAE

[ ] No Support

Driver Information:

Chipset Software	Fedora core15 default driver
Graphics Media	Fedora core15 default driver
Audio Driver	Fedora core15 default driver
LAN Driver	Fedora core15 default driver

Install OS to SATA HDD:

Installation	Result			Note
	Pass	Fail	N/A	
English Fedora Core 15 – Kernel 2.6.38.6-26.rc1.fc15.i686.PAE AHCI mode	<input checked="" type="checkbox"/>	<input type="checkbox"/>	<input type="checkbox"/>	Type uname –a Install with Basic Video.

Test Result:

Test Item	Result			Note
	Pass	Fail	N/A	
<b>Display Function Test</b>				
DVI-A -- Full Screen	<input checked="" type="checkbox"/>	<input type="checkbox"/>	<input type="checkbox"/>	Display same with BIOS setting.
DVI-D-- Full Screen	<input checked="" type="checkbox"/>	<input type="checkbox"/>	<input type="checkbox"/>	
LVDS -- Full Screen	<input checked="" type="checkbox"/>	<input type="checkbox"/>	<input type="checkbox"/>	1366*768
VGA + DVI	<input type="checkbox"/>	<input type="checkbox"/>	<input checked="" type="checkbox"/>	
VGA + LVDS	<input type="checkbox"/>	<input type="checkbox"/>	<input checked="" type="checkbox"/>	
DVI + LVDS	<input type="checkbox"/>	<input type="checkbox"/>	<input checked="" type="checkbox"/>	
<b>Network Function Test</b>				
Connect to Internet – LAN 1	<input checked="" type="checkbox"/>	<input type="checkbox"/>	<input type="checkbox"/>	
Connect to Internet – LAN 2	<input checked="" type="checkbox"/>	<input type="checkbox"/>	<input type="checkbox"/>	
<b>Audio Function Test</b>				
Play Audio Function Test	<input checked="" type="checkbox"/>	<input type="checkbox"/>	<input type="checkbox"/>	Play Audio Test
<b>Base Function Test</b>				
Mouse Test	<input checked="" type="checkbox"/>	<input type="checkbox"/>	<input type="checkbox"/>	USB
Keyboard Test	<input checked="" type="checkbox"/>	<input type="checkbox"/>	<input type="checkbox"/>	USB
Touch Panel	<input checked="" type="checkbox"/>	<input type="checkbox"/>	<input type="checkbox"/>	
Console Redirection	<input checked="" type="checkbox"/>	<input type="checkbox"/>	<input type="checkbox"/>	COM1
CD-ROM Test	<input checked="" type="checkbox"/>	<input type="checkbox"/>	<input type="checkbox"/>	USB
USB 2.0 Removable Devices	<input checked="" type="checkbox"/>	<input type="checkbox"/>	<input type="checkbox"/>	6 port
<b>X Windows Application</b>				
Start Button Office	<input checked="" type="checkbox"/>	<input type="checkbox"/>	<input type="checkbox"/>	Office function
X-Window	<input checked="" type="checkbox"/>	<input type="checkbox"/>	<input type="checkbox"/>	Startx – Desktop in Linux
<b>Command Test On Text Mode: Attention Delay Phenomenon</b>				
uname –a	<input checked="" type="checkbox"/>	<input type="checkbox"/>	<input type="checkbox"/>	Show information
Shutdown	<input checked="" type="checkbox"/>	<input type="checkbox"/>	<input type="checkbox"/>	Init 0 or shutdown –h now
Restart the Computer	<input checked="" type="checkbox"/>	<input type="checkbox"/>	<input type="checkbox"/>	Init 6 or shutdown –r now
Halt	<input checked="" type="checkbox"/>	<input type="checkbox"/>	<input type="checkbox"/>	Power Off Mode
ls / clear .....; cd /dev /ls –l	<input checked="" type="checkbox"/>	<input type="checkbox"/>	<input type="checkbox"/>	Command instruction

## 6.2. Windows 7 Ultimate English Version 32/64Bit

[ X ] x32 Driver Information:

Chipset Software	Intel Chipset Device Software 9.3.0.1019 (12/06/2011)
Graphics Media	Intel HD Graphics 4000 8.15.10.2761 (5/21/2012)
Audio Driver	Realtek High Definition Audio 6.0.1.6363 (5/3/2011)
LAN1 Driver	Intel 82579LM Gigabit Network Connection 11.16.96.0 (3/15/2012)
LAN2 Driver	Realtek PCIe GBE Family Controller 7.50.1123.2011 (11/23/2011)

[ X ] x64 Driver Information:

Chipset Software	Intel Chipset Device Software 9.3.0.1019 (12/06/2011)
Graphics Media	Intel HD Graphics 4000 8.15.10.2761 (5/21/2012)
Audio Driver	Realtek High Definition Audio 6.0.1.6363 (5/3/2011)
LAN1 Driver	Intel 82579LM Gigabit Network Connection 11.16.96.0 (3/15/2012)
LAN2 Driver	Realtek PCIe GBE Family Controller 7.50.1123.2011 (11/23/2011)

### Install OS to SATA HDD

Installation	Result			Note
	Pass	Fail	N/A	
English Windows 7 Ultimate SP1 AHCI Mode	<input checked="" type="checkbox"/>	<input type="checkbox"/>	<input type="checkbox"/>	

### Test Results:

Test Item	Result			Note
	Pass	Fail	N/A	
<b>Single Display</b>				
DVI-A -- Full Screen	<input checked="" type="checkbox"/>	<input type="checkbox"/>	<input type="checkbox"/>	
DVI-D -- Full Screen	<input checked="" type="checkbox"/>	<input type="checkbox"/>	<input type="checkbox"/>	
LVDS -- Full Screen	<input checked="" type="checkbox"/>	<input type="checkbox"/>	<input type="checkbox"/>	1366*768
<b>Boot - Windows 7 Ultimate Advanced Options Menu</b>				
Safe Mode	<input checked="" type="checkbox"/>	<input type="checkbox"/>	<input type="checkbox"/>	
<b>Basic Function Test</b>				
Touch Panel	<input checked="" type="checkbox"/>	<input type="checkbox"/>	<input type="checkbox"/>	Default driver
USB Mouse and Keyboard	<input checked="" type="checkbox"/>	<input type="checkbox"/>	<input type="checkbox"/>	
COM Port Mouse detect	<input checked="" type="checkbox"/>	<input type="checkbox"/>	<input type="checkbox"/>	
USB 2.0/3.0 Removable Devices	<input checked="" type="checkbox"/>	<input type="checkbox"/>	<input type="checkbox"/>	
<b>LAN Function Test</b>				
LAN1 --- Auto	<input checked="" type="checkbox"/>	<input type="checkbox"/>	<input type="checkbox"/>	
LAN2 --- Auto	<input checked="" type="checkbox"/>	<input type="checkbox"/>	<input type="checkbox"/>	
<b>Audio Function Test</b>				
Line Out Test	<input checked="" type="checkbox"/>	<input type="checkbox"/>	<input type="checkbox"/>	
<b>Start Menu</b>				
Log off User	<input checked="" type="checkbox"/>	<input type="checkbox"/>	<input type="checkbox"/>	
Shut down (S5)	<input checked="" type="checkbox"/>	<input type="checkbox"/>	<input type="checkbox"/>	
Standby(S3)	<input checked="" type="checkbox"/>	<input type="checkbox"/>	<input type="checkbox"/>	
Standby(S1)	<input checked="" type="checkbox"/>	<input type="checkbox"/>	<input type="checkbox"/>	
Restart	<input checked="" type="checkbox"/>	<input type="checkbox"/>	<input type="checkbox"/>	
Hibernate (S4)	<input checked="" type="checkbox"/>	<input type="checkbox"/>	<input type="checkbox"/>	
<b>Optional function</b>				
Webcam	<input checked="" type="checkbox"/>	<input type="checkbox"/>	<input type="checkbox"/>	Test with AMcap
Smartcard reader	<input checked="" type="checkbox"/>	<input type="checkbox"/>	<input type="checkbox"/>	
Barcode scanner	<input checked="" type="checkbox"/>	<input type="checkbox"/>	<input type="checkbox"/>	No need driver
RFID reader	<input checked="" type="checkbox"/>	<input type="checkbox"/>	<input type="checkbox"/>	
WIFI	<input checked="" type="checkbox"/>	<input type="checkbox"/>	<input type="checkbox"/>	

### 6.3. Windows XP Professional English Version 32bit

[ X ] x32 Driver Information:

Chipset Software	Intel® Chipset Device Software: 9.3.0.1019(12/06/2011)
Graphics Media	Intel® HD Graphics 4000: 6.14.10.5415(6/5/2012)
Audio Driver	Realtek High Definition Audio: 5.10.0.6363 (5/3/2011)
LAN1 Driver	Intel® 82579LM Gigabit Ethernet: 11.16.96.0 (3/15/2012)
LAN2 Driver	Realtek PCIe GBE Family controller: 5.792.1208.2011 (12/8/2011)

Install OS to SATA HDD:

Installation	Result			Note
	Pass	Fail	N/A	
English Windows XP Professional English SP3 AHCI Mode	<input checked="" type="checkbox"/>	<input type="checkbox"/>	<input type="checkbox"/>	

Test Results:

Test Item	Result			Note
	Pass	Fail	N/A	
<b>Single Display</b>				
DVI-A -- Full Screen	<input checked="" type="checkbox"/>	<input type="checkbox"/>	<input type="checkbox"/>	
LVDS -- Full Screen	<input checked="" type="checkbox"/>	<input type="checkbox"/>	<input type="checkbox"/>	Max resolution 1024*768
DVI-D -- Full Screen	<input checked="" type="checkbox"/>	<input type="checkbox"/>	<input type="checkbox"/>	
<b>Dual Display</b>				
LVDS+DVI-A -- Full Screen (Clone)	<input checked="" type="checkbox"/>	<input type="checkbox"/>	<input type="checkbox"/>	
LVDS+DVI-A -- (Extended Desktop)	<input checked="" type="checkbox"/>	<input type="checkbox"/>	<input type="checkbox"/>	
LVDS+DVI-D -- Full Screen (Clone)	<input checked="" type="checkbox"/>	<input type="checkbox"/>	<input type="checkbox"/>	
LVDS+DVI-D -- (Extended Desktop)	<input checked="" type="checkbox"/>	<input type="checkbox"/>	<input type="checkbox"/>	
<b>Boot - Windows XP Professional Advanced Options Menu</b>				
Safe Mode	<input checked="" type="checkbox"/>	<input type="checkbox"/>	<input type="checkbox"/>	
<b>Basic Function Test</b>				
Touch Panel	<input checked="" type="checkbox"/>	<input type="checkbox"/>	<input type="checkbox"/>	
USB Mouse and Keyboard	<input checked="" type="checkbox"/>	<input type="checkbox"/>	<input type="checkbox"/>	
COM Port Mouse detect	<input checked="" type="checkbox"/>	<input type="checkbox"/>	<input type="checkbox"/>	
USB 2.0/3.0 Removable Devices	<input checked="" type="checkbox"/>	<input type="checkbox"/>	<input type="checkbox"/>	
<b>LAN Function Test</b>				
LAN1 --- Auto	<input checked="" type="checkbox"/>	<input type="checkbox"/>	<input type="checkbox"/>	
LAN2 --- Auto	<input checked="" type="checkbox"/>	<input type="checkbox"/>	<input type="checkbox"/>	
<b>Audio Function Test</b>				
Line Out Test	<input checked="" type="checkbox"/>	<input type="checkbox"/>	<input type="checkbox"/>	
<b>Start Menu</b>				
Log off User	<input checked="" type="checkbox"/>	<input type="checkbox"/>	<input type="checkbox"/>	
Shut down (S5)	<input checked="" type="checkbox"/>	<input type="checkbox"/>	<input type="checkbox"/>	
Standby(S1)	<input checked="" type="checkbox"/>	<input type="checkbox"/>	<input type="checkbox"/>	
Standby(S3)	<input checked="" type="checkbox"/>	<input type="checkbox"/>	<input type="checkbox"/>	
Restart	<input checked="" type="checkbox"/>	<input type="checkbox"/>	<input type="checkbox"/>	
Hibernate (S4)	<input checked="" type="checkbox"/>	<input type="checkbox"/>	<input type="checkbox"/>	
<b>Optional function</b>				
Webcam	<input checked="" type="checkbox"/>	<input type="checkbox"/>	<input type="checkbox"/>	No need driver
Smartcard reader	<input checked="" type="checkbox"/>	<input type="checkbox"/>	<input type="checkbox"/>	
Barcode scanner	<input checked="" type="checkbox"/>	<input type="checkbox"/>	<input type="checkbox"/>	

## 6.4. Windows 8 English Version 32/64Bit

[ X ] x32 Driver Information:

Chipset Software	Intel Chipset Device Software 9.3.0.1026 (11/02/2012)
Graphics Media	Intel HD Graphics 9.17.10.2963(1/16/2013) (CPU: Celeron 1020E)
Audio Driver	Realtek High Definition Audio 6.0.1.6662(6/19/2012)
LAN1 Driver	Intel 82579LM Gigabit Network Connection 12.2.46.0 (11/26/2012)
LAN2 Driver	Realtek PCIe GBE Family Controller 8.10.1226.2012(12/26/2012)

[ X ] x64 Driver Information:

Chipset Software	Intel Chipset Device Software 9.3.0.1026 (11/02/2012)
Graphics Media	Intel HD Graphics 9.17.10.2963(1/16/2013) (CPU: Celeron 1020E)
Audio Driver	Realtek High Definition Audio 6.0.1.6662(6/19/2012)
LAN1 Driver	Intel 82579LM Gigabit Network Connection 12.2.46.0 (11/26/2012)
LAN2 Driver	Realtek PCIe GBE Family Controller 8.10.1226.2012(12/26/2012)

### Install OS to SATA HDD

Installation	Result			Note
	Pass	Fail	N/A	
English Windows 8 Pro	<input checked="" type="checkbox"/>	<input type="checkbox"/>	<input type="checkbox"/>	AHCI mode

### Test Results:

Test Item	Result			Note
	Pass	Fail	N/A	
<b>Single Display</b>				
DVI-A -- Full Screen	<input checked="" type="checkbox"/>	<input type="checkbox"/>	<input type="checkbox"/>	
LVDS -- Full Screen	<input checked="" type="checkbox"/>	<input type="checkbox"/>	<input type="checkbox"/>	
DVI-D-- Full Screen	<input checked="" type="checkbox"/>	<input type="checkbox"/>	<input type="checkbox"/>	
<b>Dual Display</b>				
LVDS+DVI-A -- Full Screen (Clone)	<input checked="" type="checkbox"/>	<input type="checkbox"/>	<input type="checkbox"/>	
LVDS+DVI-A -- (Extended Desktop)	<input checked="" type="checkbox"/>	<input type="checkbox"/>	<input type="checkbox"/>	
LVDS+DVI-D -- Full Screen (Clone)	<input checked="" type="checkbox"/>	<input type="checkbox"/>	<input type="checkbox"/>	
LVDS+DVI-D -- (Extended Desktop)	<input checked="" type="checkbox"/>	<input type="checkbox"/>	<input type="checkbox"/>	
<b>Boot - Windows 7 Ultimate Advanced Options Menu</b>				
Safe Mode	<input checked="" type="checkbox"/>	<input type="checkbox"/>	<input type="checkbox"/>	
<b>Basic Function Test</b>				
Touch Panel	<input checked="" type="checkbox"/>	<input type="checkbox"/>	<input type="checkbox"/>	Default driver
USB Mouse and Keyboard	<input checked="" type="checkbox"/>	<input type="checkbox"/>	<input type="checkbox"/>	
COM Port Mouse detect	<input checked="" type="checkbox"/>	<input type="checkbox"/>	<input type="checkbox"/>	
USB 2.0/3.0 Removable Devices	<input checked="" type="checkbox"/>	<input type="checkbox"/>	<input type="checkbox"/>	USB3.0 default driver
<b>LAN Function Test</b>				
LAN1 --- Auto	<input checked="" type="checkbox"/>	<input type="checkbox"/>	<input type="checkbox"/>	
LAN2 --- Auto	<input checked="" type="checkbox"/>	<input type="checkbox"/>	<input type="checkbox"/>	
<b>Audio Function Test</b>				
Line Out Test	<input checked="" type="checkbox"/>	<input type="checkbox"/>	<input type="checkbox"/>	
<b>Start Menu</b>				
Log off User	<input checked="" type="checkbox"/>	<input type="checkbox"/>	<input type="checkbox"/>	
Shut down (S5)	<input checked="" type="checkbox"/>	<input type="checkbox"/>	<input type="checkbox"/>	
Standby(S3)	<input checked="" type="checkbox"/>	<input type="checkbox"/>	<input type="checkbox"/>	
Standby(S1)	<input checked="" type="checkbox"/>	<input type="checkbox"/>	<input type="checkbox"/>	
Restart	<input checked="" type="checkbox"/>	<input type="checkbox"/>	<input type="checkbox"/>	
Hibernate (S4)	<input checked="" type="checkbox"/>	<input type="checkbox"/>	<input type="checkbox"/>	

**Optional function**

Webcam	<input checked="" type="checkbox"/>	<input type="checkbox"/>	<input type="checkbox"/>	APP: Camera
Smartcard reader	<input checked="" type="checkbox"/>	<input type="checkbox"/>	<input type="checkbox"/>	Test with Win7 driver
Barcode scanner	<input checked="" type="checkbox"/>	<input type="checkbox"/>	<input type="checkbox"/>	

## 7. BIOS Function Test

Hardware Information with Windows 7 Ultimate SP1 English 32 Bit Driver Version	
<b>CPU</b>	Intel® Core™ i7-3610QE Processor (6M Cache, up to 3.30 GHz)
<b>Memory</b>	DSL DDR3 1333/8GB CL9 ELPIDA J4208BBBG-GN-F
<b>HDD/CFD</b>	Fujitsu MHZ2080BH 2.5"/5400rpm 80GB

### 7.1. Advanced Test

Test Item		Result			Note
		Pass	Fail	N/A	
ACPI settings	Enable Hibernation	<input checked="" type="checkbox"/>	<input type="checkbox"/>	<input type="checkbox"/>	Enable/Disable
	Suspend Disable	<input checked="" type="checkbox"/>	<input type="checkbox"/>	<input type="checkbox"/>	
	Sleeps state (S1)	<input checked="" type="checkbox"/>	<input type="checkbox"/>	<input type="checkbox"/>	
	Sleeps state (S3)	<input checked="" type="checkbox"/>	<input type="checkbox"/>	<input type="checkbox"/>	
	Auto	<input checked="" type="checkbox"/>	<input type="checkbox"/>	<input type="checkbox"/>	
	Wake on Ring	<input checked="" type="checkbox"/>	<input type="checkbox"/>	<input type="checkbox"/>	
S5 RTC wake settings	Wake system with Dynamic time	<input checked="" type="checkbox"/>	<input type="checkbox"/>	<input type="checkbox"/>	
	Wake system with Fixed time	<input checked="" type="checkbox"/>	<input type="checkbox"/>	<input type="checkbox"/>	
Trusted Computing	TPM SUPPORT	<input checked="" type="checkbox"/>	<input type="checkbox"/>	<input type="checkbox"/>	
CPU configuration	Hyper-threading	<input checked="" type="checkbox"/>	<input type="checkbox"/>	<input type="checkbox"/>	Enable/Disable
	Turbo Mode	<input checked="" type="checkbox"/>	<input type="checkbox"/>	<input type="checkbox"/>	Enable/Disable
SATA configuration	SATA controller	<input checked="" type="checkbox"/>	<input type="checkbox"/>	<input type="checkbox"/>	Enable/Disable
	AHCI mode	<input checked="" type="checkbox"/>	<input type="checkbox"/>	<input type="checkbox"/>	
	IDE mode	<input checked="" type="checkbox"/>	<input type="checkbox"/>	<input type="checkbox"/>	
	RAID mode	<input type="checkbox"/>	<input type="checkbox"/>	<input checked="" type="checkbox"/>	
AMT Configuration	Intel AMT	<input checked="" type="checkbox"/>	<input type="checkbox"/>	<input type="checkbox"/>	Enable/Disable
USB configuration	Legacy USB Support	<input checked="" type="checkbox"/>	<input type="checkbox"/>	<input type="checkbox"/>	
	USB3.0 Support	<input checked="" type="checkbox"/>	<input type="checkbox"/>	<input type="checkbox"/>	
Super IO configuration	Serial port 1~2	<input checked="" type="checkbox"/>	<input type="checkbox"/>	<input type="checkbox"/>	Enable/Disable
	RS232	<input type="checkbox"/>	<input type="checkbox"/>	<input checked="" type="checkbox"/>	
	RS422	<input type="checkbox"/>	<input type="checkbox"/>	<input checked="" type="checkbox"/>	
	RS485	<input type="checkbox"/>	<input type="checkbox"/>	<input checked="" type="checkbox"/>	
	Parallel Port	<input type="checkbox"/>	<input type="checkbox"/>	<input checked="" type="checkbox"/>	
	Restore AC Power Loss	<input checked="" type="checkbox"/>	<input type="checkbox"/>	<input type="checkbox"/>	Power on/power off/ last state
	Eup power Control	<input checked="" type="checkbox"/>	<input type="checkbox"/>	<input type="checkbox"/>	
Serial port console redirection	Console redirection	<input type="checkbox"/>	<input type="checkbox"/>	<input checked="" type="checkbox"/>	Enable/ disable Support text mode.

### 7.2. Chipset Test

Test Item		Result			Note	
		Pass	Fail	N/A		
Onboard device	On board HD audio	<input checked="" type="checkbox"/>	<input type="checkbox"/>	<input type="checkbox"/>		
	HDMI audio	<input type="checkbox"/>	<input type="checkbox"/>	<input checked="" type="checkbox"/>		
	Intel LAN controller	<input checked="" type="checkbox"/>	<input type="checkbox"/>	<input type="checkbox"/>		
	Realtek LAN controller	<input checked="" type="checkbox"/>	<input type="checkbox"/>	<input type="checkbox"/>		
PCH-IO	AT/ATX mode	<input type="checkbox"/>	<input type="checkbox"/>	<input checked="" type="checkbox"/>		
	Mini PCI-E	<input checked="" type="checkbox"/>	<input type="checkbox"/>	<input type="checkbox"/>	Enable/disable	
Graphic configuration	Primary IFGX Boot Display	Auto	<input checked="" type="checkbox"/>	<input type="checkbox"/>	<input type="checkbox"/>	
		DVI-A	<input checked="" type="checkbox"/>	<input type="checkbox"/>	<input type="checkbox"/>	
		LVDS	<input checked="" type="checkbox"/>	<input type="checkbox"/>	<input type="checkbox"/>	
		DVI-D	<input checked="" type="checkbox"/>	<input type="checkbox"/>	<input type="checkbox"/>	

### 7.3. Boot Test

Test Item	Result			Note
	Pass	Fail	N/A	
Boot up Numlock State	<input type="checkbox"/>	<input type="checkbox"/>	<input checked="" type="checkbox"/>	
Quiet Boot	<input checked="" type="checkbox"/>	<input type="checkbox"/>	<input type="checkbox"/>	
Intel 82579 PXE	<input checked="" type="checkbox"/>	<input type="checkbox"/>	<input type="checkbox"/>	
Realtek 8111E PXE	<input checked="" type="checkbox"/>	<input type="checkbox"/>	<input type="checkbox"/>	
Boot From Hard Disk	<input checked="" type="checkbox"/>	<input type="checkbox"/>	<input type="checkbox"/>	
Boot From CDROM	<input checked="" type="checkbox"/>	<input type="checkbox"/>	<input type="checkbox"/>	
Boot From USB HDD	<input checked="" type="checkbox"/>	<input type="checkbox"/>	<input type="checkbox"/>	
Boot From USB Floppy	<input checked="" type="checkbox"/>	<input type="checkbox"/>	<input type="checkbox"/>	
Boot From USB CD-ROM	<input checked="" type="checkbox"/>	<input type="checkbox"/>	<input type="checkbox"/>	
Boot from LAN	<input checked="" type="checkbox"/>	<input type="checkbox"/>	<input type="checkbox"/>	
Disable	<input checked="" type="checkbox"/>	<input type="checkbox"/>	<input type="checkbox"/>	

### 7.4. CMOS Backup / Clear CMOS Test

Test Item	Result			Note
	Pass	Fail	N/A	
CMOS Backup	<input checked="" type="checkbox"/>	<input type="checkbox"/>	<input type="checkbox"/>	Clear Date and time
Clear CMOS Test	<input checked="" type="checkbox"/>	<input type="checkbox"/>	<input type="checkbox"/>	Clear Date and time

### 7.5. AAEON Tag Check Utility

Test Item	Result			Note
	Pass	Fail	N/A	
Check AAEON BIOS OK	<input checked="" type="checkbox"/>	<input type="checkbox"/>	<input type="checkbox"/>	AONCHECK.EXE

### 7.6. Supervisor / User Password Test

Test Item	Result			Note
	Pass	Fail	N/A	
Administrator Password	<input checked="" type="checkbox"/>	<input type="checkbox"/>	<input type="checkbox"/>	
User Password	<input checked="" type="checkbox"/>	<input type="checkbox"/>	<input type="checkbox"/>	

### 7.7. PC Health Status

Test Point: The value between Actual Voltage and Voltage Monitor must be + /- 5%

Voltage Monitoring Test	Result			BIOS (V)	Actual (V)	Note
	Pass	Fail	N/A			
CPU temperature	<input checked="" type="checkbox"/>	<input type="checkbox"/>	<input type="checkbox"/>	59°C	55°C	T-case
SB temperature	<input checked="" type="checkbox"/>	<input type="checkbox"/>	<input type="checkbox"/>	68°C	65°C	T-case
System temperature	<input checked="" type="checkbox"/>	<input type="checkbox"/>	<input type="checkbox"/>	48°C	46°C	
Fan1 Speed	<input checked="" type="checkbox"/>	<input type="checkbox"/>	<input type="checkbox"/>	N/A RPM	N/A RPM	
Vcore	<input checked="" type="checkbox"/>	<input type="checkbox"/>	<input type="checkbox"/>	0.828	0.81	
12V	<input checked="" type="checkbox"/>	<input type="checkbox"/>	<input type="checkbox"/>	1.512	1.49	
5V	<input checked="" type="checkbox"/>	<input type="checkbox"/>	<input type="checkbox"/>	5.110	5.10	
3.3V	<input checked="" type="checkbox"/>	<input type="checkbox"/>	<input type="checkbox"/>	3.296	3.3	
5VSB	<input checked="" type="checkbox"/>	<input type="checkbox"/>	<input type="checkbox"/>	5.020	5.10	
VBAT	<input checked="" type="checkbox"/>	<input type="checkbox"/>	<input type="checkbox"/>	3.288	3.3	

## 7.8. Hi-safe Test

Test Item		Result			Note
		Pass	Fail	N/A	
Version(20130627)		<input checked="" type="checkbox"/>	<input type="checkbox"/>	<input type="checkbox"/>	
System Information	CPU Information	<input checked="" type="checkbox"/>	<input type="checkbox"/>	<input type="checkbox"/>	
	Model Name	<input checked="" type="checkbox"/>	<input type="checkbox"/>	<input type="checkbox"/>	
	Display Information	<input checked="" type="checkbox"/>	<input type="checkbox"/>	<input type="checkbox"/>	
	RAM Information	<input checked="" type="checkbox"/>	<input type="checkbox"/>	<input type="checkbox"/>	Support single DIMM
H/W Monitor	Info	<input checked="" type="checkbox"/>	<input type="checkbox"/>	<input type="checkbox"/>	
	Fan Speed	<input checked="" type="checkbox"/>	<input type="checkbox"/>	<input type="checkbox"/>	
	Temperature	<input checked="" type="checkbox"/>	<input type="checkbox"/>	<input type="checkbox"/>	
	Voltage	<input checked="" type="checkbox"/>	<input type="checkbox"/>	<input type="checkbox"/>	
WatchDog	10sec	<input checked="" type="checkbox"/>	<input type="checkbox"/>	<input type="checkbox"/>	Actual 10.2 sec
	1min	<input checked="" type="checkbox"/>	<input type="checkbox"/>	<input type="checkbox"/>	Actual 60.3sec
	255sec	<input checked="" type="checkbox"/>	<input type="checkbox"/>	<input type="checkbox"/>	Actual 255.4sec
	Auto Reload	<input checked="" type="checkbox"/>	<input type="checkbox"/>	<input type="checkbox"/>	
SMBus	SMBus IO	<input checked="" type="checkbox"/>	<input type="checkbox"/>	<input type="checkbox"/>	SMBus Address 0xF040
	Read Byte	<input checked="" type="checkbox"/>	<input type="checkbox"/>	<input type="checkbox"/>	Slave Address A0h
	Read Word	<input checked="" type="checkbox"/>	<input type="checkbox"/>	<input type="checkbox"/>	
	Result / Read	<input checked="" type="checkbox"/>	<input type="checkbox"/>	<input type="checkbox"/>	
	Full Speed TMP	<input checked="" type="checkbox"/>	<input type="checkbox"/>	<input type="checkbox"/>	

## 7.9. Hi-Manager Test

Test Item		Result			Note
		Pass	Fail	N/A	
Version(20121116)		<input checked="" type="checkbox"/>	<input type="checkbox"/>	<input type="checkbox"/>	
Power control	Power on	<input checked="" type="checkbox"/>	<input type="checkbox"/>	<input type="checkbox"/>	
	Power off	<input checked="" type="checkbox"/>	<input type="checkbox"/>	<input type="checkbox"/>	
	Reset	<input checked="" type="checkbox"/>	<input type="checkbox"/>	<input type="checkbox"/>	
	Power on from G3 state	<input checked="" type="checkbox"/>	<input type="checkbox"/>	<input type="checkbox"/>	
Group Management		<input checked="" type="checkbox"/>	<input type="checkbox"/>	<input type="checkbox"/>	
Event log		<input checked="" type="checkbox"/>	<input type="checkbox"/>	<input type="checkbox"/>	
Alarm Clock		<input checked="" type="checkbox"/>	<input type="checkbox"/>	<input type="checkbox"/>	
Remote Recovery		<input checked="" type="checkbox"/>	<input type="checkbox"/>	<input type="checkbox"/>	
KVM		<input checked="" type="checkbox"/>	<input type="checkbox"/>	<input type="checkbox"/>	
Schedule		<input checked="" type="checkbox"/>	<input type="checkbox"/>	<input type="checkbox"/>	



## 8. Performance Test

Hardware Information with Windows 7 Ultimate SP1 English 32 Bit Driver Version	
CPU	Intel® Core™ i7-3610QE Processor (6M Cache, up to 3.30 GHz)
Memory	DSL DDR3 1333/8GB CL9
HDD	Fujitsu MHZ2080BH 2.5"/5400rpm 80GB

### 8.1. Performance Test

Test Result: (Display set 1366\*768 test)

Testing Software	Scope		Note
	AAEON	Ref.	
<b>PCMark2002</b>			<b>Windows 7</b>
CPU	-	-	
Memory	51518	-	
HDD	1829	-	
Benchmark (A)	-	-	
<b>PCMark2005</b>			<b>Windows 7</b>
PCMark	8796	-	PCMarks
CPU	11254	-	
Memory	9630	-	
Graphics	5161	-	
HDD	4673	-	
Benchmark (B)	-	-	
Average Efficiency	-	-	
<b>PCMark Vantage</b>			
PCMark	6787	-	PCMarks
Memories	3805	-	
TV and Movies	4672	-	
Gaming	4640	-	
Music	6415	-	
Communications	9842	-	
Productivity	5411	-	
HDD	2512	-	

Testing Software	Scope		Note
	AAEON	Ref.	
<b>3Dmark2003 v360</b>			<b>Windows 7</b>
3Dmark Score	7161	-	
CPU Score	1893	-	
Benchmark (A)	-	-	
<b>3Dmark2006_v120_1901</b>			<b>Windows 7</b>
3Dmark Score	4598	-	
SM2.0 Score	1401	-	
HDR/SM3.0 Score	1874	-	
CPU Score	6079	-	

Testing Software	Scope		Note
	AAEON	Ref.	
<b>Final Reality V1.01—BenchMark Test</b>			<b>Windows 7</b>
2D image	65.57	-	
3D	7.13	-	
Bus transfer	52.22	-	
Overall	31.43	-	Reality marks
Benchmark (A)	-		

Testing Software	Scope		Note
	AAEON	Ref.	
<b>Performance7</b>			<b>Windows 7</b>
PassMark Rating	1220.7	-	
CPU Mark	6597.7	-	
2D Graphics Mark	405.8	-	
3D Graphics Mark	357.6	-	
Memory Mark	1109.5	-	
Disk Mark	345.5		

Testing Software	Scope		Note
	AAEON	Ref.	
<b>Windows experience index</b>			<b>Windows 7</b>
Processor	7.5	-	
Memory	7.5	-	
Graphics	4.8	-	
Gaming graphics	6.4	-	
Primary hard disk	5.4	-	

## 9. Battery Test

[ X ] No Support

### 9.1. Power Charge LED Test

Power Charge LED Test	Result			Note
	Pass	Fail	N/A	
Plug the AC Power	<input type="checkbox"/>	<input type="checkbox"/>	<input checked="" type="checkbox"/>	
Unplug the AC Power	<input type="checkbox"/>	<input type="checkbox"/>	<input checked="" type="checkbox"/>	
Windows Battery icon Test	Result			Note
	Pass	Fail	N/A	
Plug the AC Power	<input type="checkbox"/>	<input type="checkbox"/>	<input checked="" type="checkbox"/>	
Unplug the AC Power	<input type="checkbox"/>	<input type="checkbox"/>	<input checked="" type="checkbox"/>	

### 9.2. Battery Life/Thermal Test

Battery Charge Time	Actual		Spec.		Note
Windows XP SP3 Without running any Software	N/A	mins	N/A	mins	Power level 0% charge to 99%
Battery Thermal Test	N/A		N/A		(Power level charge to 99%)
Battery Life Time	Actual		Spec.		Note
Windows XP SP3 with Prime 95 Full Loading Test	N/A	mins	N/A	mins	Power used 99% to 0%
Windows XP SP3 Without running any Software	N/A	mins	N/A	mins	Power used 99% to 0%

### 9.3. Power Option Alarm Test

Low Battery Alarm Actions	Result			Note
	Pass	Fail	N/A	
Display low power message (Power level reach to 30%)	<input type="checkbox"/>	<input type="checkbox"/>	<input checked="" type="checkbox"/>	
Standby (Power level reach to 20%)	<input type="checkbox"/>	<input type="checkbox"/>	<input checked="" type="checkbox"/>	
Hibernate (Power level reach to 10%)	<input type="checkbox"/>	<input type="checkbox"/>	<input checked="" type="checkbox"/>	
Shut down (Power level reach to 3%)	<input type="checkbox"/>	<input type="checkbox"/>	<input checked="" type="checkbox"/>	