



Spectrum Research & Testing Lab., Inc.
No. 101-10, Ling 8,
Shan-Tong Li, Chung-Li
City, Taoyuan, Taiwan,
R.O.C.

TEST REPORT

Reference No.:A03073010
Report No.:EMCA03073010
Page:1 of 51
Date:Aug. 12, 2003

Product Name: SubCompact Boards
Model No.: GENE-6310B
Applicant: AAEON Technology Inc.
5F, No. 135, Lane 235, Pao Chiao Rd., Hsin-Tien City, Taipei,
Taiwan, R.O.C.

Date of Receipt: Jul. 30, 2003

Finished date of Test: Aug. 07, 2003

Applicable Standards:	Emission	Immunity
	EN 55011:1998 Group 1 Class A	EN 50082-1:1997
	EN 61000-3-2:1995+A1:1998 +A2:1998	- IEC 61000-4-2:1995+A1:1998 - IEC 61000-4-3:1995+A1:1998
	EN 61000-3-3:1995+A1:1998	- ENV 50204:1995 - IEC 61000-4-4:1995 - IEC 61000-4-5:1995 - IEC 61000-4-6:1996 - IEC 61000-4-8:1993 - IEC 61000-4-11:1994

We, **Spectrum Research & Testing Laboratory Inc.**, hereby certify that one sample of the above was tested in our laboratory with positive results according to the above-mentioned standards. The records in the report are an accurate account of the results. Details of the results are given in the subsequent pages of this report.

Checked By : Sunyou Chen , Date: 8/12/2003
(Sunyou Chen)

Approved By : J Ho , Date: 8/12/2003
(Johnson Ho, Director)

NVLAQ®

Lab Code: 200099-0



Table of Contents

1. DOCUMENT POLICY AND TEST STATEMENT.....	5
1.1 DOCUMENT POLICY.....	5
1.2 TEST STATEMENT.....	5
2. DESCRIPTION OF EUT AND TEST MODE	6
2.1 GENERAL DESCRIPTION OF EUT	6
2.2 DESCRIPTION OF EUT INTERNAL DEVICE.....	6
2.3 DESCRIPTION OF TEST MODE.....	6
3. DESCRIPTION OF APPLIED STANDARDS.....	7
4. EMISSION TEST	8
4.1 CONDUCTED EMISSION TEST FOR POWER PORT	8
4.1.1 CONDUCTED EMISSION LIMIT	8
4.1.2 TEST EQUIPMENT	8
4.1.3 TEST SETUP	9
4.1.4 TEST PROCEDURE	9
4.1.5 DESCRIPTION OF SUPPORT UNIT	10
4.1.6 EUT OPERATING CONDITION.....	10
4.1.7 TEST RESULT	11
4.2 RADIATED EMISSION TEST.....	12
4.2.1 RADIATED EMISSION LIMIT	12
4.2.2 TEST EQUIPMENT	12
4.2.3 TEST SET-UP	13
4.2.4 TEST PROCEDURE	13
4.2.5 DESCRIPTION OF SUPPORT UNIT	14
4.2.6 EUT OPERATING CONDITION.....	14
4.2.7 TEST RESULT	15
4.3 CURRENT HARMONICS TEST	16
4.3.2 TEST EQUIPMENT	17
4.3.3 TEST SETUP	17
4.3.4 TEST PROCEDURE	17
4.3.5 DESCRIPTION OF SUPPORT UNIT	17
4.3.6 EUT OPERATING CONDITION.....	17
4.3.7 TEST RESULT	18
4.4 VOLTAGE FLUCTUATIONS	19
4.4.1 LIMIT	19
4.4.2 TEST EQUIPMENT	20
4.4.3 TEST PROCEDURE	20
4.4.4 TEST SETUP	20
4.4.5 DESCRIPTION OF SUPPORT UNIT	20
4.4.6 EUT OPERATING CONDITION.....	20
4.4.7 TEST RESULT	21
5. ELECTROSTATIC DISCHARGE IMMUNITY TEST.....	22
5.1 TEST EQUIPMENT.....	22
5.2 TEST PROCEDURE.....	22
5.3 TEST SET-UP	23



5.4	DESCRIPTION OF SUPPORT UNIT	24
5.5	EUT OPERATING CONDITION	24
5.6	TEST CONDITION AND PERFORMANCE CRITERION	24
5.7	SUMMARY OF TEST RESULT.....	25
6.	RADIATED IMMUNITY TEST	26
6.1	TEST EQUIPMENT.....	26
6.2	TEST PROCEDURE.....	26
6.3	TEST SETUP	27
6.4	DESCRIPTION OF SUPPORT UNIT	28
6.5	EUT OPERATING CONDITION	28
6.6	TEST CONDITION / PERFORMANCE CRITERIA.....	28
6.7	TEST RESULT	28
7.	RADIATED IMMUNITY TEST	29
7.1	TEST EQUIPMENT.....	29
7.2	TEST PROCEDURE.....	29
7.3	TEST SETUP	30
7.4	DESCRIPTION OF SUPPORT UNIT	31
7.5	EUT OPERATING CONDITION	31
7.6	TEST CONDITION / PERFORMANCE CRITERIA.....	31
7.7	TEST RESULT	31
8.	ELECTRICAL FAST TRANSIENT / BURST IMMUNITY TEST.....	32
8.1	TEST EQUIPMENT.....	32
8.2	TEST PROCEDURE.....	32
8.3	TEST SET-UP	33
8.4	DESCRIPTION OF SUPPORT UNIT	33
8.5	EUT OPERATING CONDITION	33
8.6	TEST CONDITION / PERFORMANCE CRITERIA.....	34
8.7	SUMMARY OF TEST RESULT.....	34
9.	SURGE TEST (POWER LINE).....	35
9.1	TEST EQUIPMENT.....	35
9.2	TEST PROCEDURE.....	35
9.3	TEST SET-UP	35
9.4	DESCRIPTION OF SUPPORT UNIT	35
9.5	EUT OPERATING CONDITION	35
9.6	TEST CONDITION / PERFORMANCE CRITERIA.....	36
9.7	SUMMARY OF TEST RESULT.....	36
10.	INDUCED RF FIELDS (CONDUCTED SUSCEPTIBILITY) TEST	37
10.1	TEST EQUIPMENT.....	37
10.2	TEST PROCEDURE.....	38
10.3	TEST SET-UP	38
10.4	DESCRIPTION OF SUPPORT UNIT	38
10.5	EUT OPERATING CONDITION.....	38
10.6	TEST CONDITION / PERFORMANCE CRITERIA	39
10.7	SUMMARY OF TEST RESULT	39



Spectrum Research & Testing Lab., Inc.
No. 101-10, Ling 8,
Shan-Tong Li, Chung-Li
City, Taoyuan, Taiwan,
R.O.C.

TEST REPORT

Reference No.:A03073010
Report No.:EMCA03073010
Page:4 of 51
Date:Aug. 12, 2003

11. POWER FREQUENCY MAGNETIC -FIELD TEST	40
11.1 TEST EQUIPMENT.....	40
11.2 TEST PROCEDURE.....	40
11.3 TEST SET-UP	40
11.4 DESCRIPTION OF SUPPORT UNIT	40
11.5 EUT OPERATING CONDITION	41
11.6 TEST CONDITION / PERFORMANCE CRITERIA.....	41
11.7 SUMMARY OF TEST RESULT.....	41
12. VOLTAGE DIPS, INTERRUPTS, VARIATIONS TEST	42
12.1 TEST EQUIPMENT.....	42
12.2 TEST PROCEDURE.....	42
12.3 TEST SET-UP.....	42
12.4 DESCRIPTION OF SUPPORT UNIT.....	42
12.5 EUT OPERATING CONDITION.....	42
12.6 TEST CONDITION / PERFORMANCE CRITERIA	43
12.7 SUMMARY OF TEST RESULT	43
13. PHOTOS OF TESTING	44
14. TERMS OF ABRIVATION.....	51



1. DOCUMENT POLICY AND TEST STATEMENT

1.1 DOCUMENT POLICY

- The report shall not be reproduced except in full, without the written approval of SRT Lab, Inc.
- The report must not be used by the applicant to claim that the product is endorsed by NVLAP, TÜV, NEMKO and SRT.
- The NVLAP logo applies only to the applicable standards specified in this report.

1.2 TEST STATEMENT

- The test results in the report apply only to the unit tested by SRT Lab.
- There was no deviation from the requirements of test standards during the test.
- AC power source, 230 VAC/50 Hz, was used during the test.
- The EN 61000-3-2:1995+A1:1998+A2:1998(Harmonic test) and EN 61000-3-3:1995+A1:1998(Flicker test) are not included in the scope of NVLAP logo usage.
- The EN 61000-3-2:1995+A1:1998+A2:1998(Harmonic test) and EN 61000-3-3:1995+A1:1998(Flicker test) are included in the scope of TÜV, NEMKO and SRT logo usage.

 Spectrum Research & Testing Lab., Inc. No. 101-10, Ling 8, Shan-Tong Li, Chung-Li City, Taoyuan, Taiwan, R.O.C.	<h1>TEST REPORT</h1>	Reference No.:A03073010 Report No.:EMCA03073010 Page:6 of 51 Date:Aug. 12, 2003
--	----------------------	--

2. DESCRIPTION OF EUT AND TEST MODE

2.1 GENERAL DESCRIPTION OF EUT

PRODUCT	SubCompact Boards
MODEL NO.	GENE-6330
POWER SUPPLY	DC from an external adapter Brand: EDAC Model No.: EA1050A-120 I/P: 100-240V~1.8A, 50-60Hz O/P: 12V, 5.0A Shielded power cable (1.8m) with a ferrite core
CABLE	Shielded PS/2 cable (0.2m)

NOTE :

For more detailed information, please refer to the EUT' s specification or user' s manual provided by manufacturer.

2.2 DESCRIPTION OF EUT INTERNAL DEVICE

DEVICE	BRAND / MAKER	MODEL #	REMARK
HDD	IBM	IC25N020ATCX04-0	

NOTE :

1. The EUT was installed into a PC enclosure.
2. The CPU installed on EUT is VIA C3 733Hz, clock chip is 133MHz.
3. The memory installed on EUT is 256MB.
4. Frequency range to be measured.
Radiated emission is 30 MHz to 1 GHz.

2.3 DESCRIPTION OF TEST MODE

The EUT was pre-tested under the following video resolution:

640x480, 1024x768 and 1600x1200

The worst emission was found under 1600x1200 and therefore the test data of only this mode is recorded.



**Spectrum Research &
Testing Lab., Inc.**
No. 101-10, Ling 8,
Shan-Tong Li, Chung-Li
City, Taoyuan, Taiwan,
R.O.C.

TEST REPORT

Reference No.:A03073010
Report No.:EMCA03073010
Page:7 of 51
Date:Aug. 12, 2003

3. DESCRIPTION OF APPLIED STANDARDS

The EUT could be used in industrial environment information provided by the applicant, it must comply with the requirements of the following standards:

EN 55011:1998 Group 1 Class A	EN 50082-1:1997
EN 61000-3-2:1995+ A1:1998+A2:1998	- IEC 61000-4-2:1995+A1:1998
EN 61000-3-3:1995+A1:1998	- IEC 61000-4-3:1995+A1:1998
	- ENV 50204:1995
	- IEC 61000-4-4:1995
	- IEC 61000-4-5:1995
	- IEC 61000-4-6:1996
	- IEC 61000-4-8:1993
	- IEC 61000-4-11:1994

All tests have been performed and recorded as the above standards.



4. EMISSION TEST

4.1 CONDUCTED EMISSION TEST FOR POWER PORT

4.1.1 CONDUCTED EMISSION LIMIT

FREQUENCY (MHz)	Class A (dBmV)		Class B (dBmV)	
	Quasi-peak	Average	Quasi-peak	Average
0.15 - 0.5	79	66	66 - 56	56 - 46
0.5 - 5.0	73	60	56	46
5.0 - 30.0	73	60	60	50

NOTE:

1. The lower limit shall apply at the transition frequencies.
2. The limit decreases in line with the logarithm of the frequency in the range of 0.15 to 0.50 MHz.

4.1.2 TEST EQUIPMENT

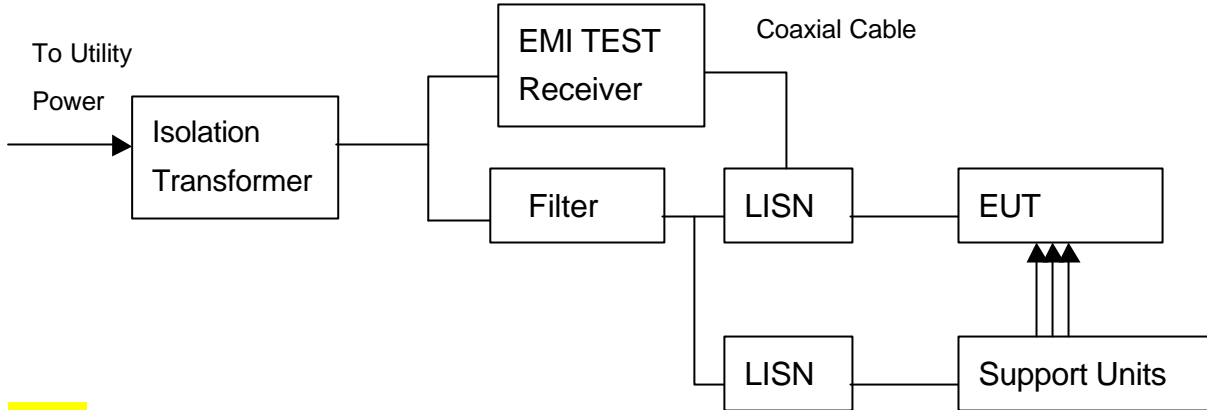
The following test equipment was used for the test:

EQUIPMENT/ FACILITIES	SPECIFICATIONS	MANUFACTURER	MODEL#/ SERIAL#	DUE DATE OF CAL. & CAL. CENTER
EMI TEST RECEIVER	9 kHz TO 30 MHz	ROHDE & SCHWARZ	ESHS30/ 826003/008	AUG. 2004 R&S
LISN (for EUT)	50 μ H, 50 ohm	SOLAR ELECTRONICS	8012-50-R-24-BNC / 924839	JUN. 2004 ETC
LISN (for Peripheral)	50 μ H, 50 ohm	SOLAR ELECTRONICS	9252-50-R-24-BNC / 951318	JUN. 2004 ETC
50 ohm TERMINATOR	50 ohm	HP	11593A/ 2	MAY 2004 ETC
COAXIAL CABLE	3m	SUNCITY	J400/ 3M	JUL. 2004 SRT
ISOLATION TRANSFORMER	N/A	APC	AFC-11015/ F102040016	N/A
FILTER	2 LINE, 30A	FIL.COIL	FC-943/ 771	N/A
GROUND PLANE	2.3M (H) x 2.4M (W)	SRT	N/A	APR. 2004 SRT
GROUND PLANE	2.4M (H) x 2.4M (W)	SRT	N/A	APR. 2004 SRT

NOTE: The calibration interval of the above test equipment is one year and the calibrations are traceable to NML/ROC and NIST/USA.



4.1.3 TEST SETUP



NOTE:

1. The EUT was put on a wooden table with 0.8m height above ground plane, and 0.4m away from reference ground plane (> 2mx2m).
2. For the actual test configuration, please refer to the photos of testing.
3. The serial no. of the LISN connected to EUT is 951318.
4. The serial no. of the LISN connected to support units is 924839.

4.1.4 TEST PROCEDURE

The EUT was tested according to the requirement of EN 55011:1998 Group 1 Class A. The frequency spectrum from 0.15 MHz to 30 MHz was investigated. The LISN used was 50 Ω /50 μ H as specified. All readings were quasi-peak and average values with 10 kHz resolution bandwidth of the test receiver. The EUT system was operated in all typical methods by users. Both lines of the power mains of EUT were measured and the cables connected to EUT and support units were moved to find the maximum emission levels for each frequency.

First, Find the margin or higher points at least 6 points by software, then use manual to find the maximum data. The procedure is referred on the test procedure of SRT LAB.



4.1.5 DESCRIPTION OF SUPPORT UNIT

The EUT was configured by the requirement of EN 55022:1998. All interface ports were connected to the appropriate support units via specific cables. The support units and cables are listed below.

NO	DEVICE	BRAND	MODEL #	FCC ID/DOC	CABLE
1	MONITOR	SAMSUNG	PG17IS	DOC	1.5m unshielded power cord 1.2m shielded data cable
2	MODEM	ACEEX	DM-1414	DOC	1.5m unshielded DC power cable 1.2m shielded data cable
3	KEYBOARD	Acer	6311-TA	DOC	1.2m unshielded data cable
4	MOUSE	LOGITECH	M-S34	DZL211029	1.2m unshielded data cable
5	COM MOUSE	LOGITECH	M-M35	DZL210365	1.2m unshielded data cable
6	USB MOUSE	HP	MO19UCA	DOC	1.2m shielded data cable
7	SPEAKER	JS	J-205A	N/A	1.5m unshielded power cord 1.2m unshielded data cable
8	MIC	TAKY	UDM-606	N/A	1.8m unshielded data cable
9	Walkman	AIWA	VMAX	N/A	1.0m unshielded data cable
10	TV	Panasonic	TC-14S10R2	N/A	1.5m unshielded power cord 1.2m unshielded data cable
11					
12					
13					

NOTE : For the actual test configuration, please refer to the photos of testing.

4.1.6 EUT OPERATING CONDITION

1. Under Windows 2000 ran "EMI TEST", "WIN FCC" and "Media Player" programs.
2. PC sent "H" pattern or accessed the following peripherals directly or via EUT:
 - Color Monitor
 - RS232
 - Keyboard
 - Mouse
 - Printer
 - FDD
 - HDD
3. Accessed data from internet.



4.1.7 TEST RESULT

Temperature:	<u>24 °C</u>	Humidity:	<u>55 %RH</u>
Ferquency Range:	<u>0.15 – 30 MHz</u>	Test Mode	<u>N/A</u>
Receiver Detector:	<u>Q.P. and AV.</u>	Tested By:	<u>Alen Chou</u>
		Tested Date:	<u>Aug. 06, 2003</u>

Power Line Measured : Line

Freq. (MHz)	Correct. Factor (dB)	Reading Value (dBmV)		Emission Level (dBmV)		Limit (dBmV)		Margin (dB)	
		Q.P.	AV.	Q.P.	AV.	Q.P.	AV.	Q.P.	AV.
0.181	0.20	49.0	35.8	49.2	36.0	79.0	66.0	-29.8	-30.0
0.806	0.20	31.1	27.8	31.3	28.0	73.0	60.0	-41.7	-32.0
1.865	0.20	32.9	30.4	33.1	30.6	73.0	60.0	-39.9	-29.4
2.720	0.20	37.6	26.1	37.8	26.3	73.0	60.0	-35.2	-33.7
4.185	0.30	40.4	36.1	40.7	36.4	73.0	60.0	-32.3	-23.6
8.685	0.38	35.1	30.2	35.5	30.6	73.0	60.0	-37.5	-29.4

Power Line Measured : Neutral

Freq. (MHz)	Correct. Factor (dB)	Reading Value (dBmV)		Emission Level (dBmV)		Limit (dBmV)		Margin (dB)	
		Q.P.	AV.	Q.P.	AV.	Q.P.	AV.	Q.P.	AV.
0.185	0.20	45.3	37.2	45.5	37.4	79.0	66.0	-33.5	-28.6
0.439	0.20	39.9	25.9	40.1	26.1	79.0	66.0	-38.9	-39.9
1.841	0.20	34.0	31.9	34.2	32.1	73.0	60.0	-38.8	-27.9
2.615	0.20	37.5	26.5	37.7	26.7	73.0	60.0	-35.3	-33.3
5.451	0.32	38.5	35.4	38.8	35.7	73.0	60.0	-34.2	-24.3
8.279	0.37	31.4	29.2	31.8	29.6	73.0	60.0	-41.2	-30.4

NOTE :

1. Measurement uncertainty is +/-2dB
2. Emission level = Reading value + Correction factor
3. Correction Factor = Cable loss + Insertion loss of LISN
4. Margin value = Emission level - Limit
5. The emission of other frequencies were very low against the limit.
6. "-": The Quasi-peak reading value also meets average limit and measurement with the average detector is unnecessary.



4.2 RADIATED EMISSION TEST

4.2.1 RADIATED EMISSION LIMIT

EN 55011:1998 Group 1 limits of radiated emission measurement for frequency below 1000 MHz

FREQUENCY (MHz)	Class A (at 10m)	Class B (at 10m)
	dBmV/m	dBmV/m
30 – 230	40	30
230 - 1000	47	37

NOTE:

1. The lower limit shall apply at the transition frequencies.
2. Emission level (dBµV/m) = 20 log Emission level (µV/m).

4.2.2 TEST EQUIPMENT

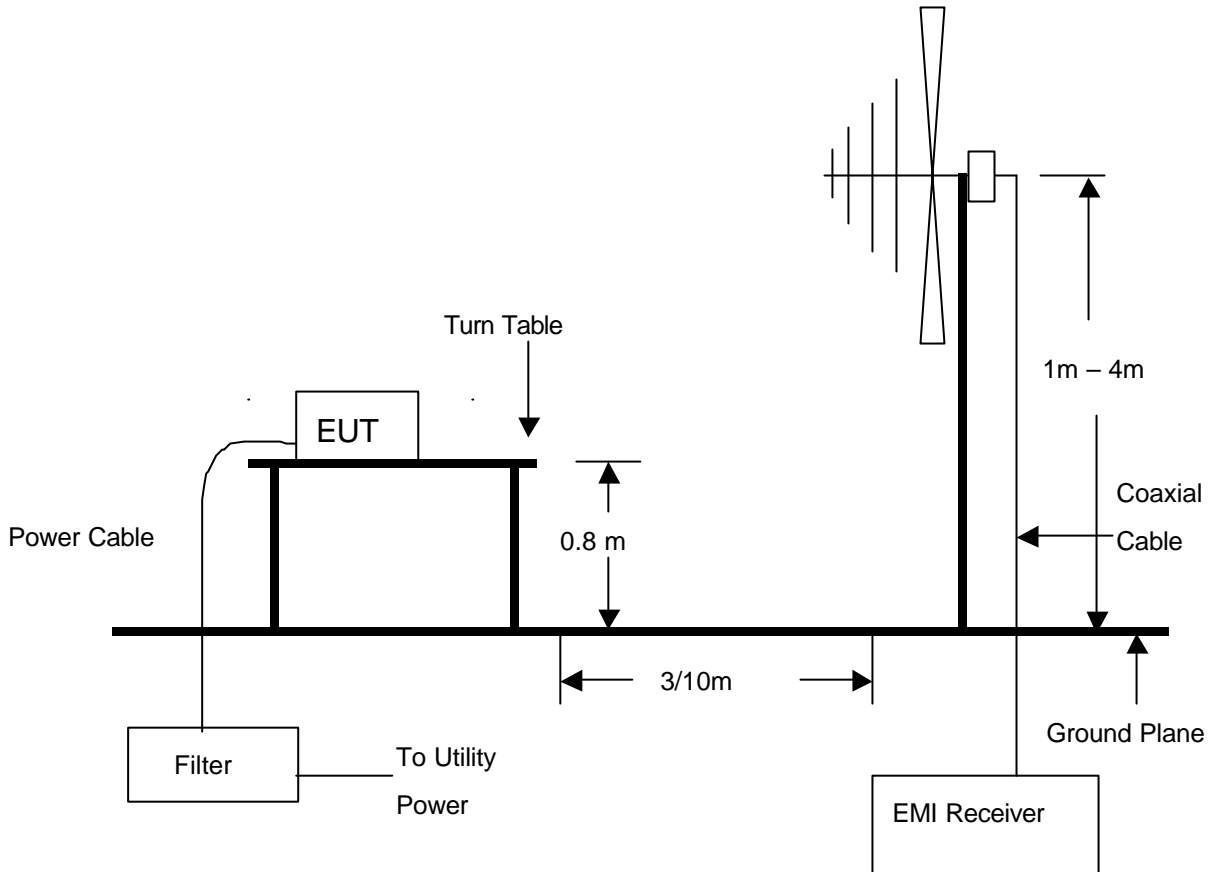
The following test equipment was used during the radiated emission test:

EQUIPMENT/ FACILITIES	SPECIFICATIONS	MANUFACTURER	MODEL#/ SERIAL#	DUE DATE OF CAL. & CAL. CENTER
EMI TEST RECEIVER	9 kHz TO 2750 MHz	ROHDE & SCHWARZ	ESCS30/ 830245/012	AUG. 2003 R&S
BI-LOG ANTENNA	25 MHz TO 2 GHz	EMCO	3142/ 9701-1124	APR. 2004 SRT
OATS	3 – 10 M MEASUREMENT	SRT	SRT-1	APR. 2004 SRT
COAXIAL CABLE	25M	SUNCITY	J400/ 25M	AUG. 2004 SRT
FILTER	2 LINE, 30A	FIL.COIL	FC-943/ 869	N/A
FREQUENCY CONVERTER	N/A	APC	AFC-1KW/ 860612	AUG. 2004 SRT

NOTE:

1. The calibration interval of the above test equipment is one year and the calibrations are traceable to NML/ROC and NIST/USA.
2. The Open Area Test Site (SRT-1) is registered by FCC with No. 90957 and VCCI with No. R-1081.
3. The Open Area Test Site (SRT-2) is registered by FCC with No. 98458 and VCCI with No. R-1168.

4.2.3 TEST SET-UP



NOTE:

1. The EUT system was put on a wooden table with 0.8m heights above a ground plane.
2. For the actual test configuration, please refer to the photos of testing.

4.2.4 TEST PROCEDURE

The EUT was tested according to the requirement of EN 55011:1998 Group 1 Class A. The measurements were made at an open area test site with 10 meter measurement distance. The frequency spectrum measured from 30 MHz to 1 GHz. All readings were quasi-peak values with 120 kHz resolution bandwidth of the test receiver. The EUT system was operated in all typical methods by users. The cables connected to EUT and support units were moved to find the maximum emission levels for each frequency.

First, Find the margin or higher points at least 6 points by software, then use manual to find the maximum data. The procedure is referred on the test procedure of SRT LAB.



**Spectrum Research &
Testing Lab., Inc.**
No. 101-10, Ling 8,
Shan-Tong Li, Chung-Li
City, Taoyuan, Taiwan,
R.O.C.

TEST REPORT

Reference No.:A03073010
Report No.:EMCA03073010
Page:14 of 51
Date:Aug. 12, 2003

4.2.5 DESCRIPTION OF SUPPORT UNIT

Same as section 4.1.5 of this report.

4.2.6 EUT OPERATING CONDITION

Same as section 4.1.6 of this report.



4.2.7 TEST RESULT

Temperature:	<u>33 °C</u>	Humidity:	<u>56 %RH</u>
Ferquency Range:	<u>30 – 1000 MHz</u>	Measured Distance:	<u>10m</u>
Receiver Detector:	<u>Q.P.</u>	Tested Mode:	<u>N/A</u>
Tested By:	<u>Alen Chou</u>	Tested Date:	<u>Aug. 06, 2003</u>

Antenna Polarization:Horizontal

Frequency (MHz)	Cable Loss (dB)	Antenna Factor (dB/m)	Reading Data (dBμV)	Emission Level (dBμV/m)	Limit (dBμV/m)	Margin (dB)	AZ(°)	EL(m)
133.9256	1.11	7.44	21.5	30.0	40.0	-10.0	168.4	4.0
191.3220	1.35	10.35	25.5	37.2	40.0	-2.8	241.5	4.0
208.9040	1.33	10.06	25.0	36.4	40.0	-3.6	123.9	3.89
399.4500	1.95	16.19	20.1	38.2	47.0	-8.8	258.8	2.26
533.0840	2.26	19.26	20.2	41.7	47.0	-5.3	142.2	3.7
665.2700	2.50	21.34	17.2	41.0	47.0	-6.0	354.6	3.21

Antenna Polarization:Vertical

Frequency (MHz)	Cable Loss (dB)	Antenna Factor (dB/m)	Reading Data (dBμV)	Emission Level (dBμV/m)	Limit (dBμV/m)	Margin (dB)	AZ(°)	EL(m)
37.1260	0.66	14.86	19.7	35.2	40.0	-4.8	241.1	1.0
46.6839	0.74	10.66	20.0	31.4	40.0	-8.6	51.4	1.0
133.9240	1.11	7.44	20.5	29.0	40.0	-11.0	246.3	1.0
191.3221	1.35	10.35	25.4	37.1	40.0	-2.9	278.5	1.0
532.8090	2.25	19.24	17.5	39.0	47.0	-8.0	212.4	1.0
665.2750	2.50	21.34	19.4	43.2	47.0	-3.8	313.1	1.0

NOTE :

1. Measurement uncertainty is +/-4dB.
2. "": Measurement does not apply for this frequency.
3. Emission Level = Reading Value + Ant. Factor + Cable Loss.
4. The field strength of other emission frequencies were very low against the limit.



4.3 CURRENT HARMONICS TEST

4.3.1 LIMIT

For Class A Equipment

EVEN HARMONICS		ODD HARMONICS	
HARMONICS ORDER	LIMIT (Amp.)	HARMONICS ORDER	LIMIT (Amp.)
2	1.08	3	2.30
4	0.43	5	1.14
6	0.30	7	0.77
8 < n < 40	0.23 x 8 / n	9	0.40
		11	0.33
		13	0.21
		15 < n < 39	0.15 x 8 / n

For Class D Equipment

Harmonics Order n	Max. permissible harmonics current per watt (mA/W)	Max. permissible harmonics current (A)
Odd Harmonics only		
3	3.4	2.30
5	1.9	1.14
7	1.0	0.77
9	0.5	0.40
11	0.35	0.33
13	0.30	0.21
15 n 39	3.85 / n	0.15 x 15 / n

NOTE:

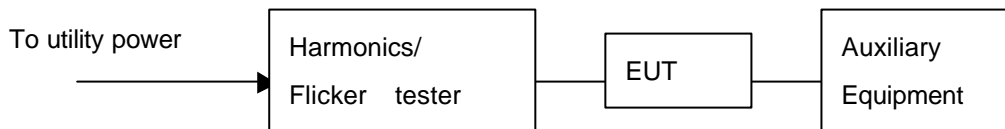
1. Class A and Class D are judged by test equipment automatically as per Section 5 of EN 61000-3-2:1995
2. The above limits for Class D equipment are for all applications having an active input power > 75 W. No limits apply for equipment with an active input power up to and including 75 W.

4.3.2 TEST EQUIPMENT

EQUIPMENT / FACILITIES	MANUFACTURER	MODEL # / SERIAL #	DUE DATE OF CAL. & CAL. CENTER
MAIN UNIT	HP	6842A/ 3734A00212	MAR. 2004 AGILENT

NOTE: The calibration interval of the above test equipment is one year and the calibrations are traceable to NML/ROC and NIST/USA.

4.3.3 TEST SETUP



NOTE :

1. The EUT system was put on a wooden table with 0.8m high.
2. For the actual test configuration, please refer to the photos of testing.

4.3.4 TEST PROCEDURE

According to EN61000-3-2:1995+A1:1998+A2:1998

4.3.5 DESCRIPTION OF SUPPORT UNIT

Same as section 4.1.5 of this report.

4.3.6 EUT OPERATING CONDITION

Same as section 4.1.6 of this report.



Spectrum Research & Testing Lab., Inc.
No. 101-10, Ling 8,
Shan-Tong Li, Chung-Li
City, Taoyuan, Taiwan,
R.O.C.

TEST REPORT

Reference No.:A03073010
Report No.:EMCA03073010
Page:18 of 51
Date:Aug. 12, 2003

4.3.7 TEST RESULT

Temperature:	<u>33°C</u>	Humidity:	<u>56% RH</u>
Fundamental Current:	<u>0.097A</u>	Max. Power	<u></u>
Voltage:	<u>225.6Vrms</u>	Consumption:	<u>20.8W</u>
Power Factor:	<u>0.401</u>	Tested Mode:	<u>N/A</u>
Tested By:	<u>Alen Chou</u>	Test Date:	<u>Aug. 06, 2003</u>

Maximum Reading Data:

Odd Harm. Order	Reading Data (A)	Limit (A)	Test Result
15	0.0531	0.1500	PASS



4.4 VOLTAGE FLUCTUATIONS

4.4.1 LIMIT

Short-term flicker (P_{st}) : 1.0

Long-term flicker (P_{lt}) : 0.65

Relative steady-state voltage change (D_c) : 3%

Relative voltage change characteristic ($D(t) > 3%$) ; ($T_{D(t)}$) : 200 ms

Maximum relative voltage change (D_{max}) : 4%

TEST ITEM	LIMIT	NOTE
P_{st}	1.0	P_{st} means short-term flicker indicator.
P_{lt}	0.65	P_{lt} means long-term flicker indicator.
$T_{D(t)}$ (ms)	200	$T_{D(t)}$ means maximum time that $D(t)$ exceeds 3 %.
D_{max} (%)	4%	D_{max} means maximum relative voltage change.
D_c (%)	3%	D_c means relative steady-state voltage change

4.4.2 TEST EQUIPMENT

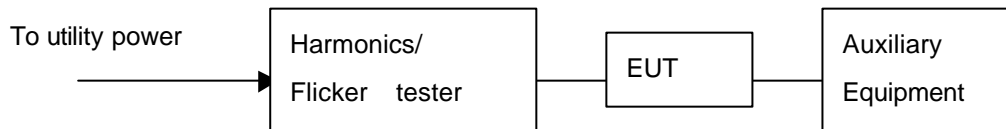
EQUIPMENT / FACILITIES	MANUFACTURER	MODEL # / SERIAL #	DUE DATE OF CAL. & CAL. CENTER
MAIN UNIT	HP	6842A/ 3734A00212	MAR. 2004 HP

NOTE: The calibration interval of the above test equipment is one year and the calibrations are traceable to NML/ROC and NIST/USA.

4.4.3 TEST PROCEDURE

According to EN 61000-3-3:1995+A1:1998

4.4.4 TEST SETUP



NOTE : 1. The EUT system was put on a wooden table with 0.8m high.
 2. For the actual test configuration, please refer to the photos of testing.

4.4.5 DESCRIPTION OF SUPPORT UNIT

Same as section 4.1.5 of this report.

4.4.6 EUT OPERATING CONDITION

Same as section 4.1.6 of this report.



4.4.7 TEST RESULT

Temperature:	<u>33° C</u>	Humidity:	<u>56% RH</u>
Input Voltage:	<u>225.6Vrms</u>	Observation	
Ampere:	<u>0.2Arms</u>	Period:	<u>1Hr</u>
Power Factor:	<u>0.377</u>	Tested Mode:	<u>N/A</u>
Tested By:	<u>Alen Chou</u>	Test Date:	<u>Aug. 04, 2003</u>

Test Result:

TEST PARAMETER	MEASUREMENT VALUE	LIMIT	TEST RESULT
P_{st}	0.07	1.0	PASS
P_{lt}	0.07	0.65	PASS
$T_{D(t)}$ (ms)	0	200	PASS
D_{max} (%)	0%	4%	PASS
D_c (%)	0%	3%	PASS

NOTE:

1. P_{st} means short-term flicker indicator.
2. P_{lt} means long-term flicker indicator.
3. $T_{D(t)}$ means maximum time that $D(t)$ exceeds 3 %.
4. D_{max} means maximum relative voltage change.
5. D_c means relative steady-state voltage change.
6. N/A: Not applicable.



Spectrum Research & Testing Lab., Inc.
No. 101-10, Ling 8,
Shan-Tong Li, Chung-Li
City, Taoyuan, Taiwan,
R.O.C.

TEST REPORT

Reference No.:A03073010
Report No.:EMCA03073010
Page:22 of 51
Date:Aug. 12, 2003

5. ELECTROSTATIC DISCHARGE IMMUNITY TEST

5.1 TEST EQUIPMENT

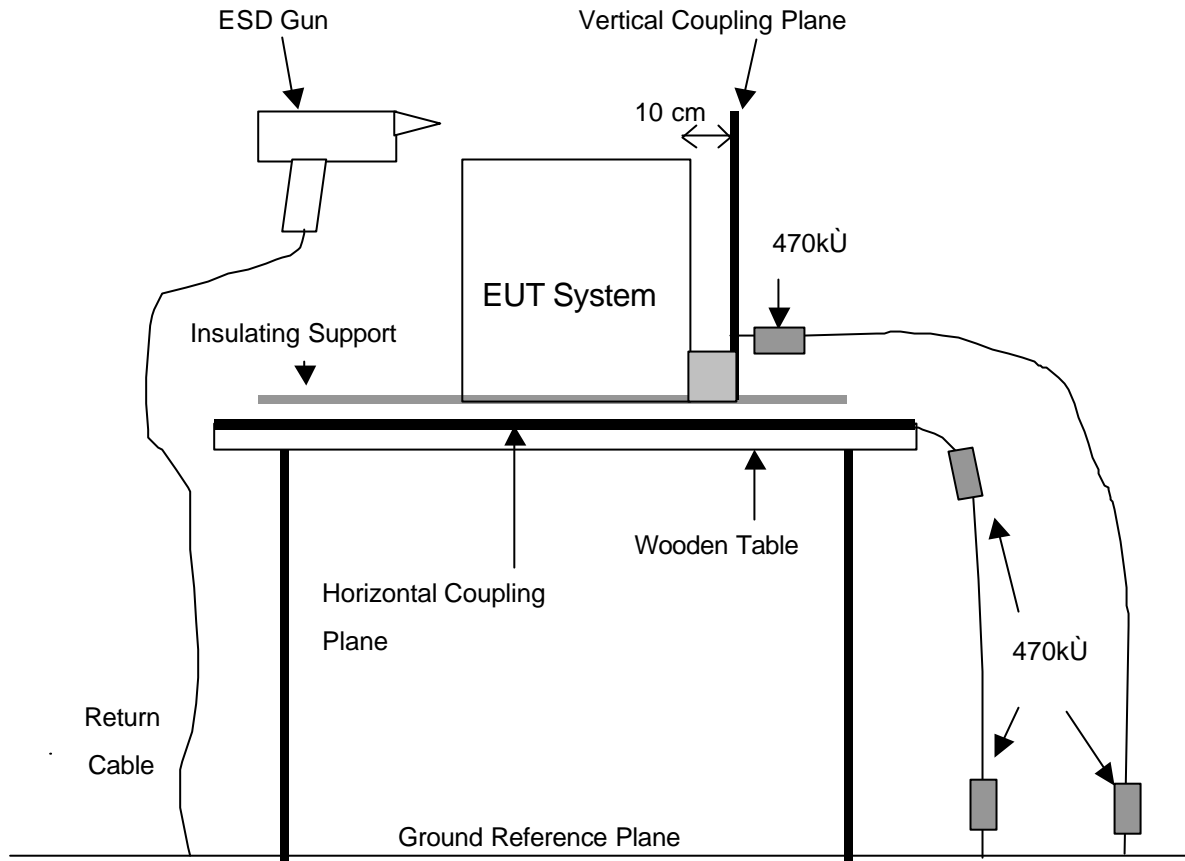
EQUIPMENT / FACILITIES	MANUFACTURER	MODEL # / SERIAL #	DUE DATE OF CAL. & CAL. CENTER
ESD SIMULATOR	NOISEKEN	ESS-100L(A)/TC-815P/ 8099C02238/7099C02	NOV. 2003 ETC
HCP (1.6M x 0.8M)	SRT	WITH TWO 470k OHM CABLE	APR. 2004 SRT
VCP (0.5M x 0.5M)	SRT	WITH TWO 470k OHM CABLE	APR. 2004 SRT
GROUND PLANE (3.4M x 2.4M)	SRT	N/A	N/A

NOTE: The calibration interval of the above test equipment is one year and the calibrations are traceable to NML/ROC and NIST/USA.

5.2 TEST PROCEDURE

According to IEC/EN 61000-4-2:1995+A1:1998

5.3 TEST SET-UP



NOTE :

1. The wooden table should be 0.8m high for table top EUT and 0.1m for floor-standing EUT.
2. For the actual test configuration, please refer to the photos of testing.
3. A distance of 1m minimum was provided between EUT and walls / other metallic structure.



5.4 DESCRIPTION OF SUPPORT UNIT

Same as section 4.1.5 of this report.

5.5 EUT OPERATING CONDITION

Same as section 4.1.6 of this report.

5.6 TEST CONDITION AND PERFORMANCE CRITERION

1. Test condition

- (1) R-C Network : 330 Ω, 150 pF
- (2) Test level: Air Discharge : ±2kV, ±4kV, ±8kV
 - Contact discharge : ±2kV, ±4kV
 - HCP discharge : ±2kV, ±4kV
 - VCP discharge : ±2kV, ±4kV
- (3) Discharge mode : Single discharge
- (4) Discharge period : at least 1 s
- (5) Discharge polarity : Positive and Negative
- (6) Number of discharge : Minimum 50 times at each test point of contact discharge and at least 200 times of discharge to EUT in total. Minimum 10 times at each test area of air discharge selected.

- 2. Standard requirement : Criterion B

3. Performance criterion

- (1) Criterion A : Normal performance during test
- (2) Criterion B : Temporary degradation or loss of function or performance which is self-recoverable
- (3) Criterion C : Temporary degradation or loss of function or performance which requires operator intervention system reset



5.7 SUMMARY OF TEST RESULT

Temperature: 22 °C Humidity: 49% RH
Test Mode: N/A Tested By: Alen Chou
Atmospheric Air Pressure: 101.2 kPa Tested Date: Aug. 07, 2003

Test Result : Criterion B pass

SEVERITY LEVEL	COUPLING MODE & TEST OBSERVATION			
	AIR DISCHARGE	CONTACT DISCHARGE	HCP	VCP
±2kV	A	A	A	A
±4kV	A	B	A	A
±8kV	B	NR	NR	NR

NOTE:

Description of test observation:

A: There was no change compared with initial operation during the test.

B: USB peripheral were researched.

NR: No requirement

Description of test points:

1. Screws on Front panel of EUT.
2. Enclosure of PC.
3. I/O Port on backside of EUT.
4. Power port connector on backside of EUT.
5. I/O Port connector on backside of EUT.
6. Power switch of EUT.
7. HCP.
8. VCP.



6. RADIATED IMMUNITY TEST

6.1 TEST EQUIPMENT

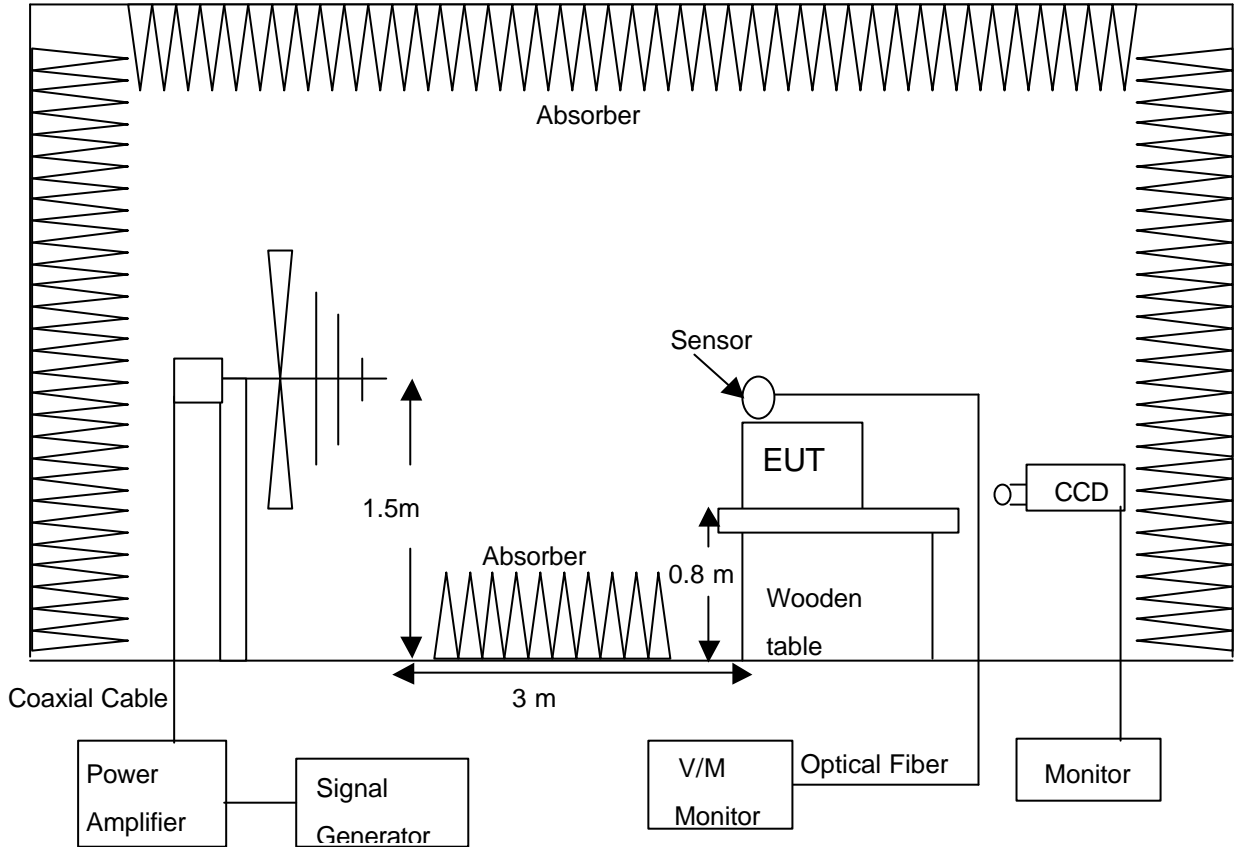
EQUIPMENT / FACILITIES	MANUFACTURER	MODEL # / SERIAL #	DUE DATE OF CAL. & CAL. CENTER
SIGNAL GENERATOR	HP	8648A/ 3636A022776	JUN. 2004 ETC
ANTENNA	SCHAFFNER CHASE	CBL6111/ 1188	AUG. 2004 SRT
FIELD SENSOR	AMPLIFIER RESEARCH	FP2000/ 28499	DEC. 2003 ETC
POWER AMPLIFIER	AMPLIFIER RESEARCH	100W1000M1/ 19509	JUN. 2004 ETC
ANECHOIC CHAMBER	SRT	A05/ SRT005	SEP. 2003 SRT
V/M MONITOR	A.R.	FM2000/ 15970	N/A
MONITOR	SHIN	SI-609/ 905130	N/A
CCD	TOPVIEW	N/A/ 95113762	N/A
ABSORBER	ETS	N/A	N/A
COAXIAL CABLE	SUNCITY	J400/ 30CM	AUG. 2004 SRT
COAXIAL CABLE	TIME	LMR-400/ 4M	AUG. 2004 SRT

NOTE: The calibration interval of the above test equipment is one year and the calibrations are traceable to NML/ROC and NIST/USA.

6.2 TEST PROCEDURE

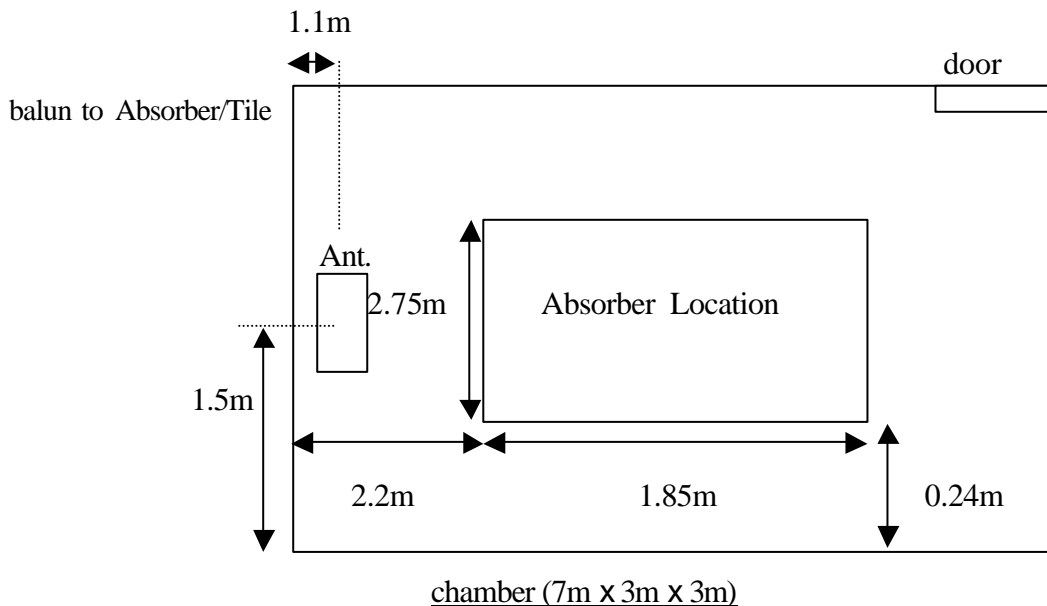
According to IEC/EN 61000-4-3:1995+A1:1998

6.3 TEST SETUP



NOTE :

1. The wooden table should be 0.8m high for table top EUT and 0.1m for floor-standing EUT.
2. For the actual test configuration, please refer to the photos of testing.





6.4 DESCRIPTION OF SUPPORT UNIT

Same as section 4.1.5 of this report.

6.5 EUT OPERATING CONDITION

Same as section 4.1.6 of this report.

6.6 TEST CONDITION / PERFORMANCE CRITERIA

1. Test condition

- (1) Source voltage and frequency :230V/50Hz, single phase
- (2) Sweeping frequency : 80MHz – 1 GHz
- (3) Test level :3V/m, the frequency step is 1%
- (4) The four sides of EUT are tested :front, rear, left, right
- (5) Modulation :80%AM, 1kHz Dwell time for each frequency is 3 sec.
- (6) Antenna Polarization :Horizontal and Vertical
- (7) Standard requirement :Criterion A

2. Performance criterion

- (1) Criterion A : Normal performance during test
- (2) Criterion B : Temporary degradation or loss of function or performance which is self-recoverable.
- (3) Criterion C : Temporary degradation or loss of function or performance which requires operator intervention system reset.

6.7 TEST RESULT

Temperature: 24°C Humidity: 56% RH
 Test Mode: N/A Tested By: Alen Chou
 Tested Date: Aug. 06, 2003

Test Result : Criterion A pass

FREQUENCY	LEVEL	MODULATION	DIRECTION	TEST RESULT (CRITERION)	
				H	V
80MHz - 1GHz	3V/m	80%AM, 1kHz	FRONT	A	A
80MHz - 1GHz	3V/m	80%AM, 1kHz	REAR	A	A
80MHz - 1GHz	3V/m	80%AM, 1kHz	LEFT	A	A
80MHz - 1GHz	3V/m	80%AM, 1kHz	RIGHT	A	A

NOTE:

Description of test observation:

A: There was no change compared with initial operation during the test.



7. RADIATED IMMUNITY TEST

7.1 TEST EQUIPMENT

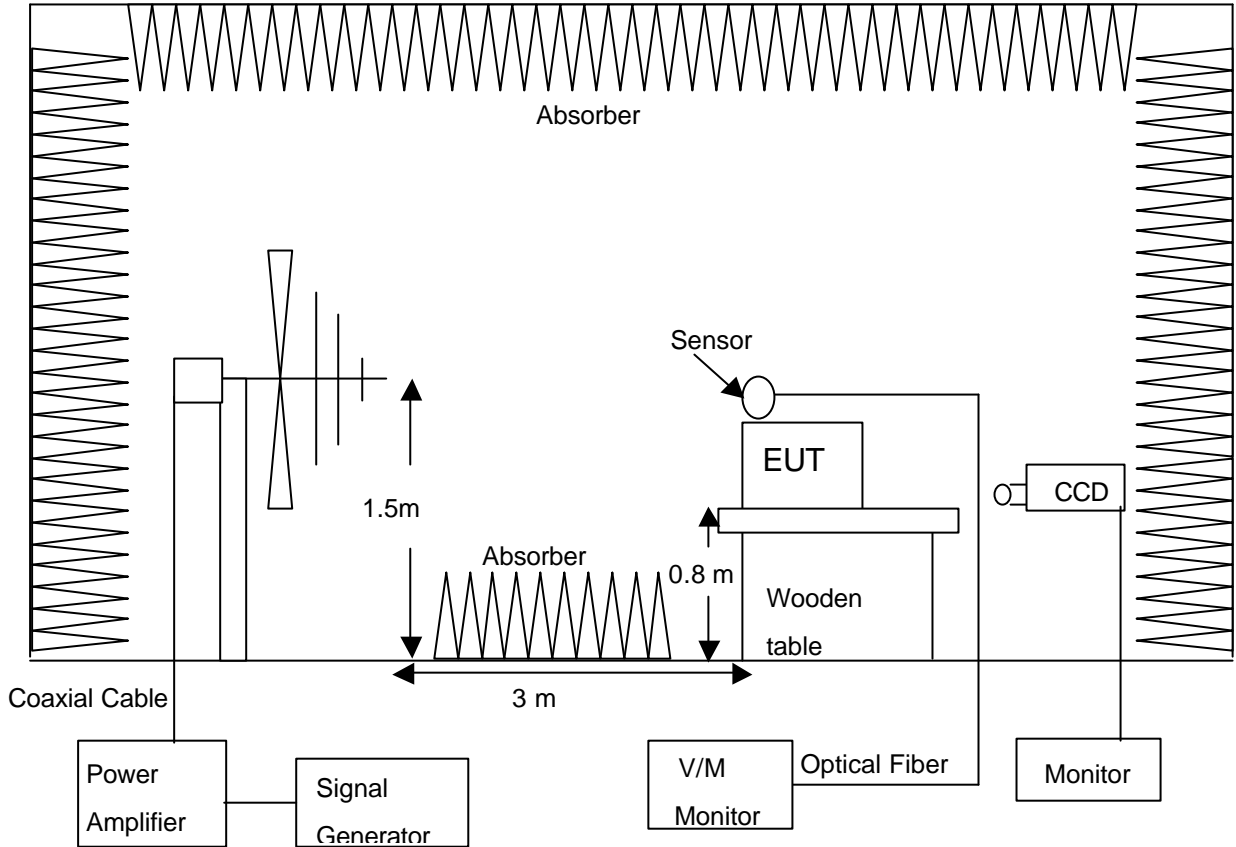
EQUIPMENT / FACILITIES	MANUFACTURER	MODEL # / SERIAL #	DUE DATE OF CAL. & CAL. CENTER
SIGNAL GENERATOR	HP	8648A/ 3636A022776	JUN. 2004 ETC
ANTENNA	SCHAFFNER CHASE	CBL6111/ 1188	AUG. 2004 SRT
FIELD SENSOR	AMPLIFIER RESEARCH	FP2000/ 28499	DEC. 2003 ETC
POWER AMPLIFIER	AMPLIFIER RESEARCH	100W1000M1/ 19509	JUN. 2004 ETC
ANECHOIC CHAMBER	SRT	A05/ SRT005	SEP. 2003 SRT
V/M MONITOR	A.R.	FM2000/ 15970	N/A
MONITOR	SHIN	SI-609/ 905130	N/A
CCD	TOPVIEW	N/A/ 95113762	N/A
ABSORBER	ETS	N/A	N/A
COAXIAL CABLE	SUNCITY	J400/ 30CM	AUG. 2004 SRT
COAXIAL CABLE	TIME	LMR-400/ 4M	AUG. 2004 SRT

NOTE: The calibration interval of the above test equipment is one year and the calibrations are traceable to NML/ROC and NIST/USA.

7.2 TEST PROCEDURE

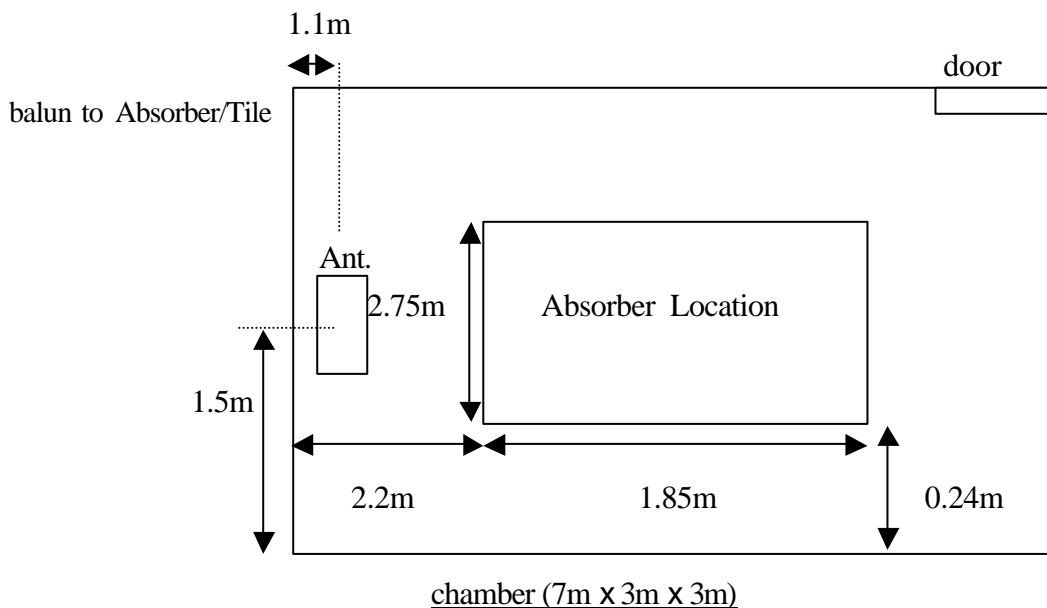
According to ENV 50204:1995

7.3 TEST SETUP



NOTE :

1. The wooden table should be 0.8m high for table top EUT and 0.1m for floor-standing EUT.
2. For the actual test configuration, please refer to the photos of testing.





7.4 DESCRIPTION OF SUPPORT UNIT

Same as section 4.1.5 of this report.

7.5 EUT OPERATING CONDITION

Same as section 4.1.6 of this report.

7.6 TEST CONDITION / PERFORMANCE CRITERIA

1. Test condition

- (1) Source voltage and frequency :230V/50Hz, single phase
- (2) Sweeping frequency : 900 MHz +/-5 MHz
- (3) Test level :3V/m, the frequency step is 1%
- (4) The four sides of EUT are tested :front, rear, left, right
- (5) Modulation :50% duty cycle(1Hz), 200Hz pluse Dwell time for each frequency at least 1sec..
- (6) Standard requirement :Criterion A

2. Performance criterion

- (1) Criterion A : Normal performance during test
- (2) Criterion B : Temporary degradation or loss of function or performance which is self-recoverable.
- (3) Criterion C : Temporary degradation or loss of function or performance which requires operator intervention system reset.

7.7 TEST RESULT

Temperature: 24°C Humidity: 56% RH
 Test Mode: N/A Tested By: Alen Chou
 Tested Date: Aug. 06, 2003

Test Result : Criterion A pass

FREQUENCY	LEVEL	MODULATION	DIRECTION	TEST RESULT (CRITERION)	
				H	V
900MHz +/-5MHz	3V/m	50%pulse, 1Hz	FRONT	A	A
900MHz +/-5MHz	3V/m	50%pulse, 1Hz	REAR	A	A
900MHz +/-5MHz	3V/m	50%pulse, 1Hz	LEFT	A	A
900MHz +/-5MHz	3V/m	50%pulse, 1Hz	RIGHT	A	A

NOTE:

Description of test observation:

A: There was no change compared with initial operation during the test.



Spectrum Research & Testing Lab., Inc.
No. 101-10, Ling 8,
Shan-Tong Li, Chung-Li
City, Taoyuan, Taiwan,
R.O.C.

TEST REPORT

Reference No.:A03073010
Report No.:EMCA03073010
Page:32 of 51
Date:Aug. 12, 2003

8. ELECTRICAL FAST TRANSIENT / BURST IMMUNITY TEST

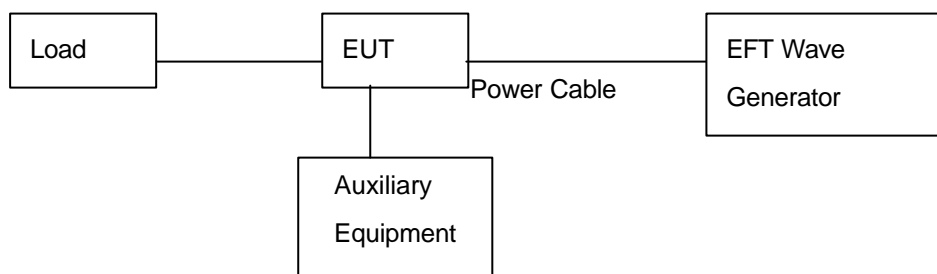
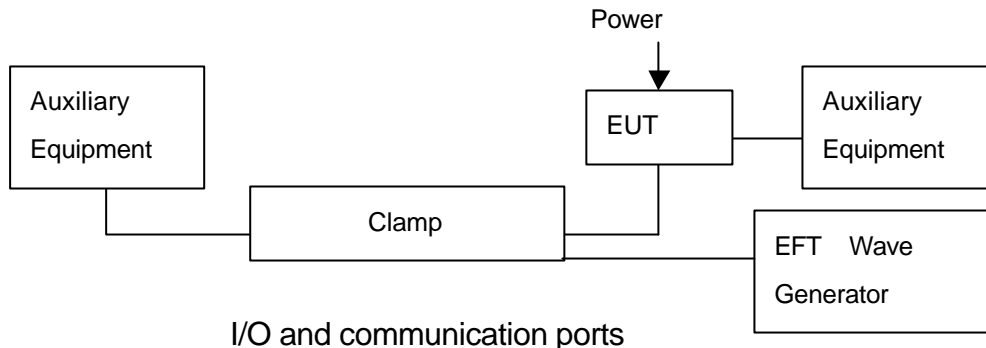
8.1 TEST EQUIPMENT

EQUIPMENT / FACILITIES	MANUFACTURER	MODEL # / SERIAL #	DUE DATE OF CAL & CAL CENTER
EFT GENERATOR	HAEFELY	PEFT-JUNIOR / 583-333-122	NOV. 2003 ETC
CLAMP	HAEFELY	TRENCH / 080421-12	NOV. 2003 ETC
GROUND PLANE 2M x 3M	SRT	N/A	APR. 2004 SRT

8.2 TEST PROCEDURE

According to IEC/EN 61000-4-4:1995

8.3 TEST SET-UP



NOTE :

1. The EUT system was put on a wooden table with 0.8m height for table top EUT and 0.1m for floor-standing EUT above ground reference plane.
2. For the actual test configuration, please refer to the photos of testing.
3. The minimum distance between the EUT and all other conductive structure was more than 0.5m.
4. The minimum distance between the coupling plates of the coupling clamps (if used) and all over conductive structures, except the ground plane beneath the coupling clamp and beneath the EUT was more than 0.5m.
5. The power cable connecting EUT was controlled under 1m.

8.4 DESCRIPTION OF SUPPORT UNIT

Same as section 4.1.5 of this report.

8.5 EUT OPERATING CONDITION

Same as section 4.1.6 of this report.



8.6 TEST CONDITION / PERFORMANCE CRITERIA

1. Test condition

- (1) Source voltage and frequency : 230V/50Hz, single phase
- (2) Pulse risetime and duration : 5ns / 50ns
- (3) Pulse repetition : 5kHz
- (4) Polarity : Positive Polarization and Negative Polarization
- (5) Burst duration and period : 15ms / 300ms
- (6) Test duration : 61sec each line
- (7) Time between test : 10Sec
- (8) Severity levels : Power Line ± 1 kV
Signal/Control Line ± 0.5 kV
- (9) Standard requirement : Criterion B

2. Performance criterion

- (1) Criterion A : Normal performance during test
- (2) Criterion B : Temporary degradation or loss of function or performance which is self-recoverable.
- (3) Criterion C : Temporary degradation or loss of function or performance which requires operator intervention system reset.

8.7 SUMMARY OF TEST RESULT

Temperature: 24 °C Humidity: 58% RH
 Test Mode: N/A Tested By: Alen Chou
 Atmospheric Air Pressure: 101.2 kPa Tested Date: Aug. 05, 2003

Test Result : Criterion A pass

Voltage		0.25kV		0.5kV		1kV	
Polarity		+	-	+	-	+	-
Test Line	L1	NR	NR	A	A	A	A
	L2	NR	NR	A	A	A	A
	GND	NR	NR	A	A	A	A
	Signal/ Control Line	A	A	A	A	NR	NR

NOTE:

Description of test observation:

A: There was no change compared with initial operation during the test.

NR: No requirement

 Spectrum Research & Testing Lab., Inc. No. 101-10, Ling 8, Shan-Tong Li, Chung-Li City, Taoyuan, Taiwan, R.O.C.	<h1>TEST REPORT</h1>	Reference No.:A03073010 Report No.:EMCA03073010 Page:35 of 51 Date:Aug. 12, 2003
--	----------------------	---

9. SURGE TEST (POWER LINE)

9.1 TEST EQUIPMENT

EQUIPMENT / FACILITIES	MANUFACTURER	MODEL # / SERIAL #	DUE DATE OF CAL. & CAL. CENTER
SURGE TEST (System Mainframe)	SCHAFFNER	NSG 2050 / 199904-057SC	OCT. 2003 ETC
SURGE TEST (Impulse Network)	SCHAFFNER	PNW 2050 / 256	OCT. 2003 ETC
SURGE TEST (Pulse Coupling Network)	SCHAFFNER	CDN 131/133 / 520	OCT. 2003 ETC

9.2 TEST PROCEDURE

According to IEC/EN 61000-4-5:1995

9.3 TEST SET-UP



NOTE :

1. The EUT system was put on a wooden table with 0.8m height above ground reference plane.
2. For the actual test configuration, please refer to the photos of testing.

9.4 DESCRIPTION OF SUPPORT UNIT

Same as section 4.1.5 of this report.

9.5 EUT OPERATING CONDITION

Same as section 4.1.6 of this report.



9.6 TEST CONDITION / PERFORMANCE CRITERIA

1. Test condition

- | | |
|--------------------------|---|
| (1) Test level | : Common mode : $\pm 0.5\text{kV}$, $\pm 1\text{kV}$, $\pm 2\text{kV}$
Differential mode : $\pm 0.25\text{kV}$, $\pm 0.5\text{kV}$, $\pm 1\text{kV}$ |
| (2) Pulse | : 5 |
| (3) Phase | : 0° , 90° , 180° , 270° |
| (4) Polarity | : Positive and Negative polarization |
| (5) Repetition | : 60 s |
| (6) Waveform | : 1.2/50 μs (open circuit) |
| (7) Standard requirement | : Criterion B |

2. Performance criterion

- | | |
|-----------------|--|
| (1) Criterion A | : Normal performance during test |
| (2) Criterion B | : Temporary degradation or loss of function or performance which is self-recoverable |
| (3) Criterion C | : Temporary degradation or loss of function or performance which requires operator intervention system reset |

9.7 SUMMARY OF TEST RESULT

Temperature:	<u>25 °C</u>	Humidity:	<u>58% RH</u>
Test Mode:	<u>N/A</u>	Tested By:	<u>Alen Chou</u>
Atmospheric Air Pressure:	<u>101.2 kPa</u>	Tested Date:	<u>Aug. 06, 2003</u>

Test Result : Criterion A pass

Mode	Coupling	Voltage	Phase			
			0°	90°	180°	270°
Common	L + PE N + PE	+/-0.5kV	A	A	A	A
		+/-1kV	A	A	A	A
		+/-2kV	A	A	A	A
Differential	L + N	+/-0.25kV	A	A	A	A
		+/-0.5kV	A	A	A	A
		+/-1kV	A	A	A	A

NOTE:

Description of test observation:

A: There was no change compared with initial operation during the test.



10. INDUCED RF FIELDS (CONDUCTED SUSCEPTIBILITY) TEST

10.1 TEST EQUIPMENT

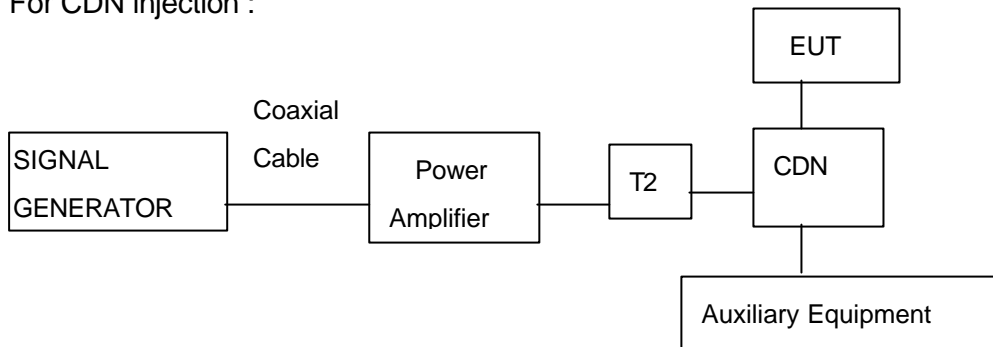
EQUIPMENT / FACILITIES	MANUFACTURER	MODEL # / SERIAL #	DUE DATE OF CAL. & CAL. CENTER	FINAL TEST BE USED
EM INJECTION CLAMP	FCC	F-203I-23mm/110	MAY 2004 ETC	
POWER LINE CDN	FCC	FCC-801-M4-32A/9808	MAY 2004 ETC	
POWER LINE CDN	FCC	FCC-801-M5-32A/9812	MAY 2004 ETC	
POWER LINE CDN	FCC	FCC-801-M1-32A/9820	MAY 2004 ETC	
SIGNAL LINE CDN	FCC	FCC-801-T2/9830	MAY 2004 ETC	
SIGNAL LINE CDN	FCC	FCC-801-T4/9831	MAY 2004 ETC	
SIGNAL LINE CDN	FCC	FCC-801-T6/9832	MAY 2004 ETC	
SIGNAL LINE CDN	FCC	FCC-801-S9/9843	MAY 2004 ETC	
POWER LINE CDN	FCC	FCC-801-M2-32A/9840	NOV. 2003 ETC	
SIGNAL GENERATOR	HP	8648A/3636A02776	JUN. 2004 ETC	
POWER AMPLIFIER	A.R.	150A100A/19553	MAY 2004 ETC	
DUAL DIRECTION COULPER	A.R.	DC2600/25893	SEP. 2003 ETC	
POWER METER	BOONTON	4232A/29001	MAY 2004 ETC	
SIGNAL LINE CDN	FCC	FCC-801-S25/9845	MAY 2004 ETC	
POWER LINE CDN	FCC	FCC-801-M3-32A/9874	MAY 2004 ETC	
T2	EM-TEST	ATT6/75/1001-40	N/A	
COAXIAL CABLE	SUNCITY	CABLE14/#14-1M	APR. 2004 SRT	
COAXIAL CABLE	SUNCITY	CABLE05/#5-5M	APR. 2004 SRT	
COAXIAL CABLE	SUNCITY	J400/2M	APR. 2004 SRT	

10.2 TEST PROCEDURE

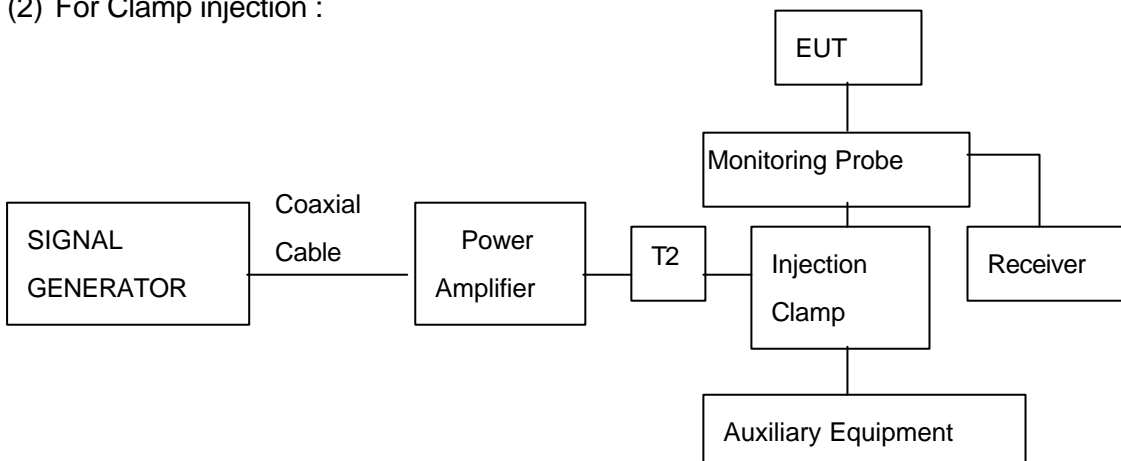
According to IEC/EN 61000-4-6:1996

10.3 TEST SET-UP

(1) For CDN injection :



(2) For Clamp injection :



NOTE :

1. The EUT system was put on a wooden table with 0.1m height above ground.
2. For the actual test configuration, please refer to the photos of testing.
3. The distance between CDN(Clamp) and EUT was controlled between 0.1m and 0.3m.
4. The model no. of the CDN connected to EUT is FCC-801-M3-32A.

10.4 DESCRIPTION OF SUPPORT UNIT

Same as section 4.1.5 of this report.

10.5 EUT OPERATING CONDITION

Same as section 4.1.6 of this report.



10.6 TEST CONDITION / PERFORMANCE CRITERIA

1. Test condition

- (1) Source voltage and frequency : 230 V/ 50 Hz, single phase
- (2) Sweeping frequency : 150 kHz – 80 MHz
- (3) Test level : 3 V, the frequency step is 1%
- (4) Polarity : Positive and Negative polarization
- (5) Modulation : AM 80%, 1 kHz
- (6) Dwell time for each frequency : 3 sec
- (7) Standard requirement : Criterion A

2. Performance criterion

- (1) Criterion A : Normal performance during test
- (2) Criterion B : Temporary degradation or loss of function or performance which is self-recoverable
- (3) Criterion C : Temporary degradation or loss of function or performance which requires operator intervention system reset

10.7 SUMMARY OF TEST RESULT

Temperature:	<u>25° C</u>	Humidity:	<u>58% RH</u>
Test Mode:	<u>N/A</u>	Tested By:	<u>Alen Chou</u>
		Tested Date:	<u>Aug. 04, 2003</u>

Test Result : Criterion A pass

FREQUENCY	LEVEL	MODULATION	INJECTION METHOD	TEST RESULT (CRITERION)
150kHz - 80MHz	3V	80% AM, 1 kHz	M3	A
150kHz - 80MHz	3V	80% AM, 1 kHz	T4	A

NOTE:

Description of test observation:

A: There was no change compared with initial operation during the test.



11. POWER FREQUENCY MAGNETIC-FIELD TEST

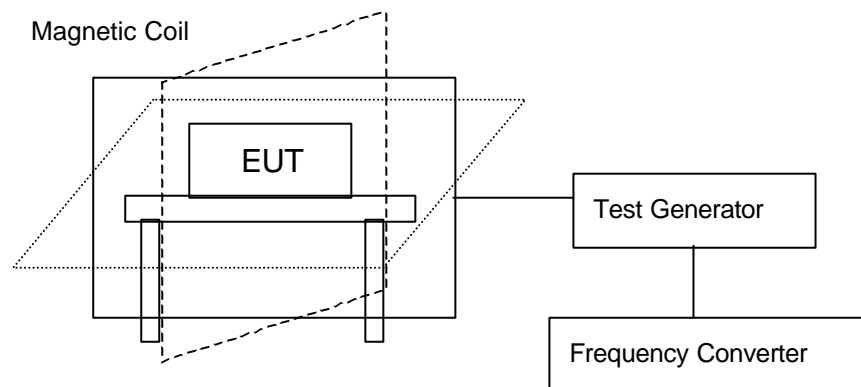
11.1 TEST EQUIPMENT

EQUIPMENT / FACILITIES	MANUFACTURER	MODEL # / SERIAL #	DUE DATE OF CAL. & CAL. CENTER
MAGNETIC FIELD TESTER	HAEFELY	MAG 100.1/ 080.015-04	JAN. 2004 SRT
MAGNETIC FIELD COIL	HAEFELY	MAG 100.1/ 080.015-04	JAN. 2004 SRT
MAGNETIC FIELD METER	F.W.BELL	4080/ 19990416	MAR. 2004 ITRI

11.2 TEST PROCEDURE

According to IEC/EN 61000-4-8:1993

11.3 TEST SET-UP



NOTE :

1. The EUT system was put on a wooden table with 0.8m height above ground.
2. For the actual test configuration, please refer to the photos of testing
3. $1A/m = 12.56mG$, $3A/m = 37.68mG$, $10A/m = 125.6mG$,

11.4 DESCRIPTION OF SUPPORT UNIT

Same as section 4.1.5 of this report.



11.5 EUT OPERATING CONDITION

Same as section 4.1.6 of this report.

11.6 TEST CONDITION / PERFORMANCE CRITERIA

1. Test condition

- (1) Test axis : X, Y and Z axes
- (2) Test time : 5 min / each axis
- (3) Field strength : 3 A/m
- (4) Standard requirement : Criterion A

2. Performance criterion

- (1) Criterion A : Normal performance during test
- (2) Criterion B : Temporary degradation or loss of function or performance which is self-recoverable
- (3) Criterion C : Temporary degradation or loss of function or performance which requires operator intervention system reset

11.7 SUMMARY OF TEST RESULT

Temperature: 24°C Humidity: 59% RH
Test Mode: N/A Tested By: Alen Chou
Frequency of Magnetic Field: 50Hz, 60Hz Tested Date: Aug. 04, 2003

Test Result : Criterion A pass

ORIENTATION	FIELD STRENGTH	TEST RESULT (CRITERION)
X	3 A/m	A
Y	3 A/m	A
Z	3 A/m	A

NOTE:

Description of test observation:

A: There was no change compared with initial operation during the test.

	Spectrum Research & Testing Lab., Inc. No. 101-10, Ling 8, Shan-Tong Li, Chung-Li City, Taoyuan, Taiwan, R.O.C.	<h1>TEST REPORT</h1>	Reference No.:A03073010 Report No.:EMCA03073010 Page:42 of 51 Date:Aug. 12, 2003
---	--	----------------------	---

12. VOLTAGE DIPS, INTERRUPTS, VARIATIONS TEST

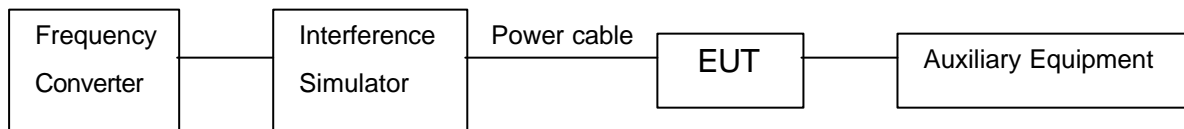
12.1 TEST EQUIPMENT

EQUIPMENT / FACILITIES	MANUFACTURER	MODEL # / SERIAL #	DUE DATE OF CAL. & CAL. CENTER
INTERFERENCE SIMULATOR	HAEFELY	PLINE 1610/ 083-732-05	APR. 2004 ETC

12.2 TEST PROCEDURE

According to IEC/EN 61000-4-11:1994

12.3 TEST SET-UP



NOTE :

1. The EUT system was put on a wooden table with 0.8m height above ground.
2. For the actual test configuration, please refer to the photos of testing.

12.4 DESCRIPTION OF SUPPORT UNIT

Same as section 4.1.5 of this report.

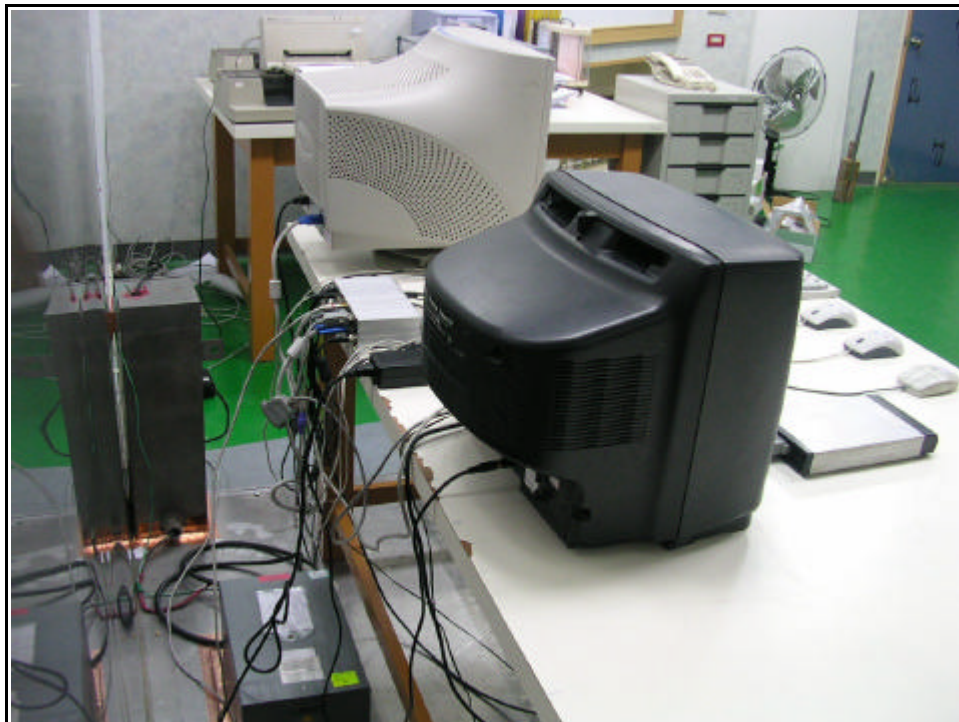
12.5 EUT OPERATING CONDITION

Same as section 4.1.6 of this report.



13. PHOTOS OF TESTING

- Conducted test





- Radiated test





- Harmonics test



- Voltage fluctuations test





- Electrostatic discharge immunity test



- Electrical fast transient / burst immunity test





- Radiated immunity test





-Surge test (power line)



- Inducted RF fields (conducted susceptibility) test





- Power frequency magnetic-field test



- Voltage dips, interrupts, variations test





Spectrum Research & Testing Lab., Inc.
No. 101-10, Ling 8,
Shan-Tong Li, Chung-Li
City, Taoyuan, Taiwan,
R.O.C.

TEST REPORT

Reference No.:A03073010
Report No.:EMCA03073010
Page:51 of 51
Date:Aug. 12, 2003

14. TERMS OF ABRIVATION

AV.	Average detection
AZ(°)	Turn table azimuth
Correct.	Correction
EL(m)	Antenna height (meter)
EUT	Equipment Under Test
Horiz.	Horizontal direction
LISN	Line Impedance Stabilization Network
NSA	Normalized Site Attenuation
Q.P.	Quasi-peak detection
SRT Lab	Spectrum Research & Testing Laboratory, Inc.
Vert.	Vertical direction