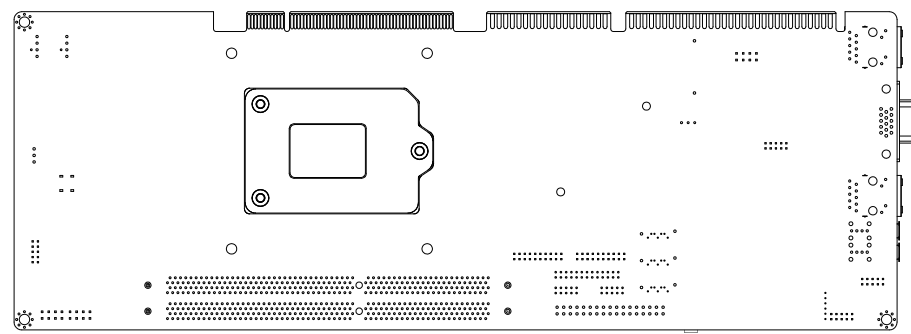
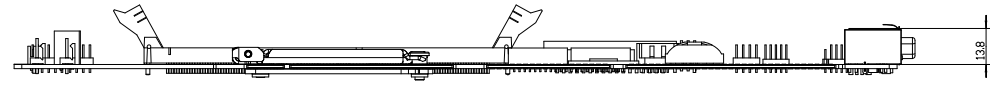
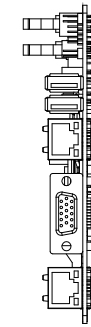
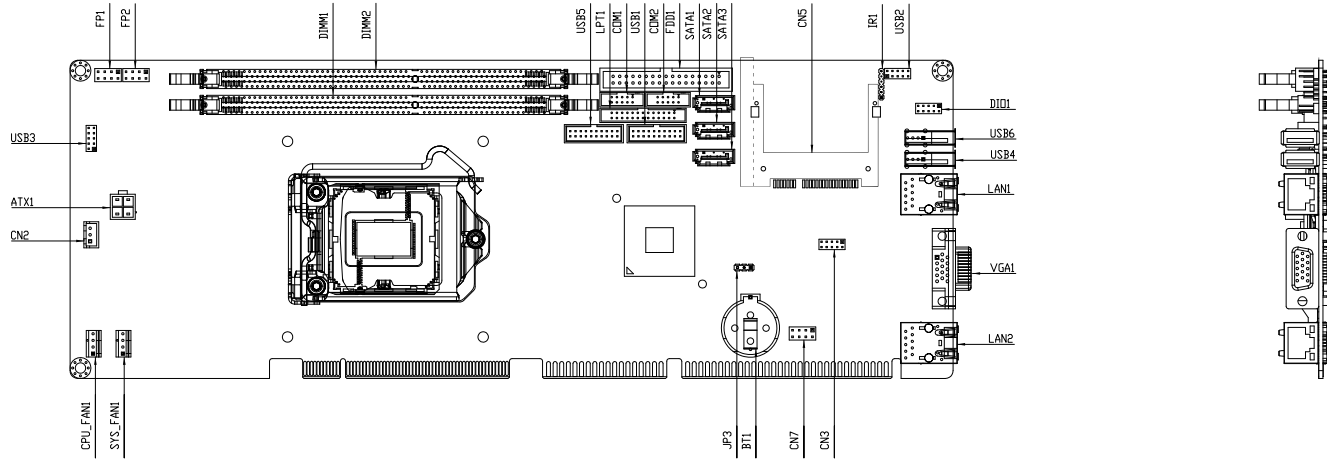


AAEON FSB-B75G A1.0 Mechanical Drawing_LOCATION.

ITEM	DATE	REMARK	DESIGNED	APPROVED
1				
2				
3				



NOTE
The Height of Cooling System Depends on Customer Cooling Device

GENERAL TOL. >0 ±0.1 >10 ±0.2 >50 ±0.3 >200 ±0.5 >500 ±0.8 ANGLE TOL. ±0.5°	MATERIAL: FR4	PART NO: 9697B75G02-D	AAEON Technology Inc. An ASUS Company	
	SPEC: T=1.6mm	DWG NO: 9697B75G02-D		
FINISH: N/A	APPROVED	CHECKED	DESIGNED	MODEL NO: FSB-B75G
UNIT: MM		VINCENT	PAN	REV. 1.0
SCALE: 1.000		18-Dec-12	18-Dec-12	SHEET: 2/3