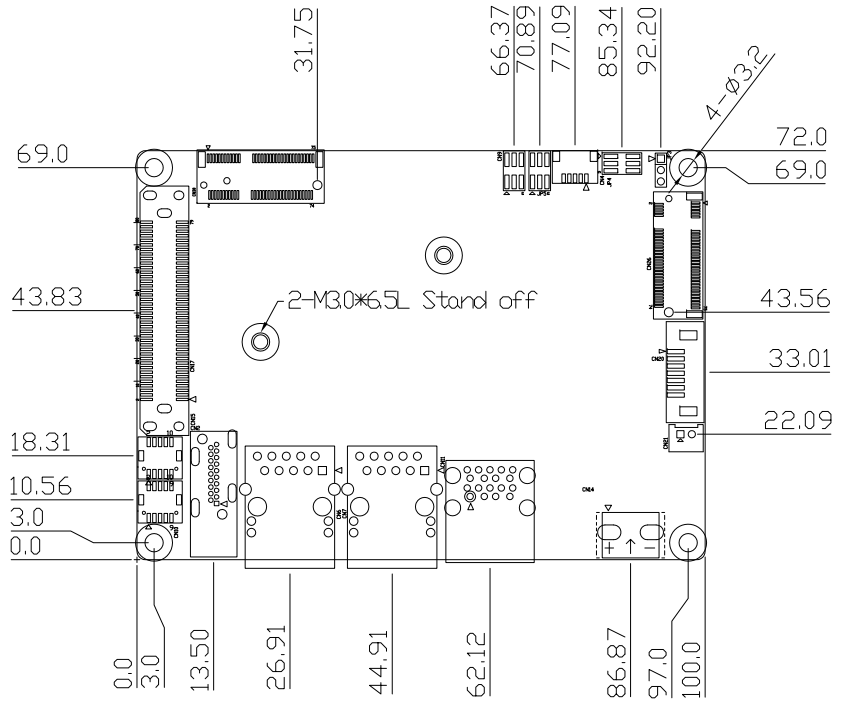
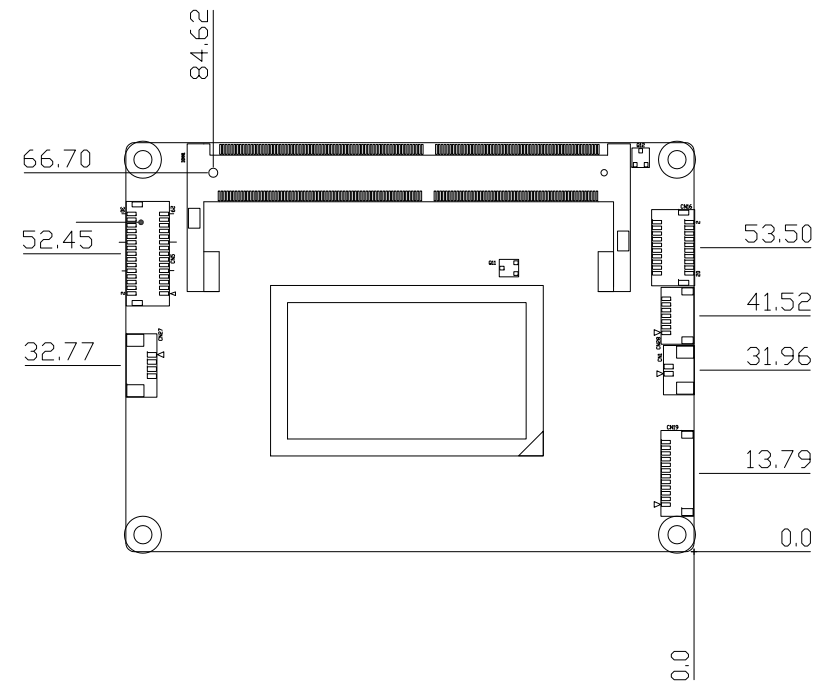


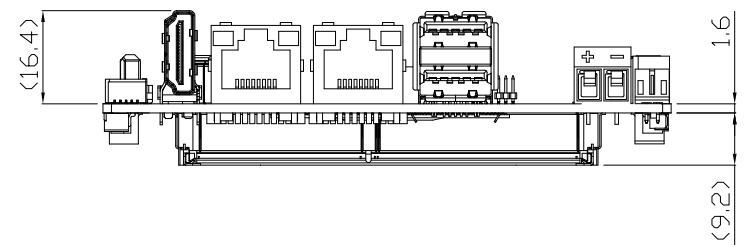
ITEM	DATE	REMARK	DESIGNED	APPROVED
1				
2				
3				



Component Side

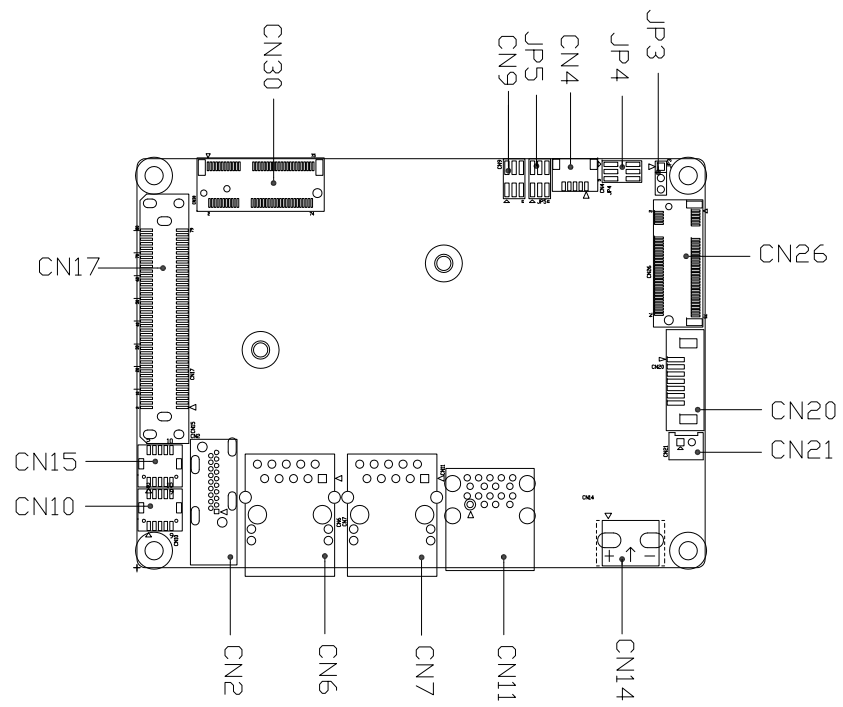


Solder Side

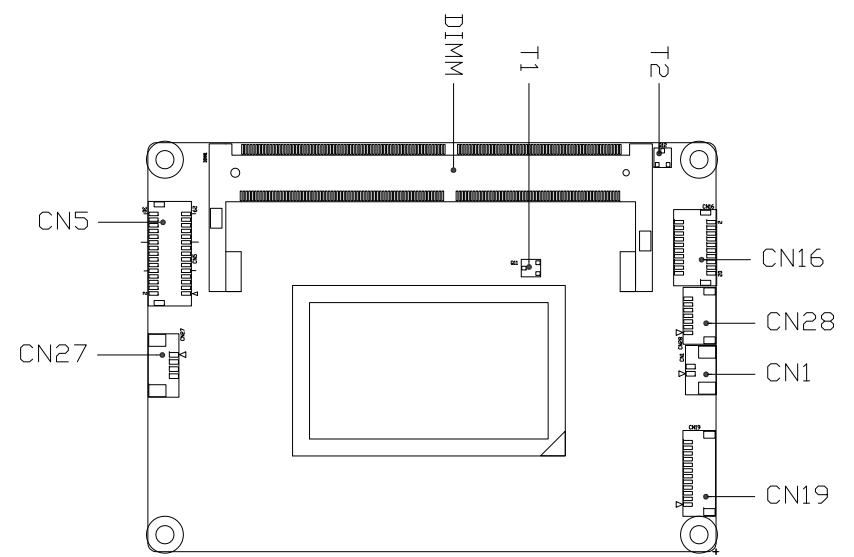


GENERAL TOL. >0 ±0.1 >10 ±0.2 >50 ±0.3 >200 ±0.5 >500 ±0.8 ANGLE TOL. ±0.5°	MATERIAL: FR4	PART No. 1907KBU401			Technology Inc. An AVULS Company
	SPEC.: t=1.6mm	DWG No. 1907KBU401			
	FINISH: NA	APPROVED	CHECKED	DESIGNED	NAME Mechanical Drawing
	UNIT: MM		Kevin	Willie	MODEL No. PICO-KBU4
SCALE:		20180521	20180521	REV. A1.0	SHEET: 1 / 1

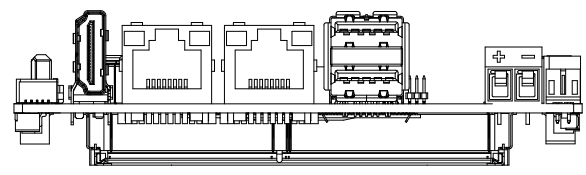
ITEM	DATE	REMARK	DESIGNED	APPROVED
1				
2				
3				



Component Side



Solder Side



GENERAL TOL. >0 ±0.1 >10 ±0.2 >50 ±0.3 >200 ±0.5 >500 ±0.8 ANGLE TOL. ±0.5°	MATERIAL: FR4	PART No. 1907KBU401			Technology Inc. An AEON Company	
	SPEC.: t=1.6mm	DWG No. 1907KBU401				
	FINISH: NA	APPROVED	CHECKED	DESIGNED	NAME Mechanical Drawing	
	UNIT: MM	SCALE:	Kevin	Willie	MODEL No. PICO-KBU4	
			20180521	20180521	REV. A1.0	SHEET: 1 / 1