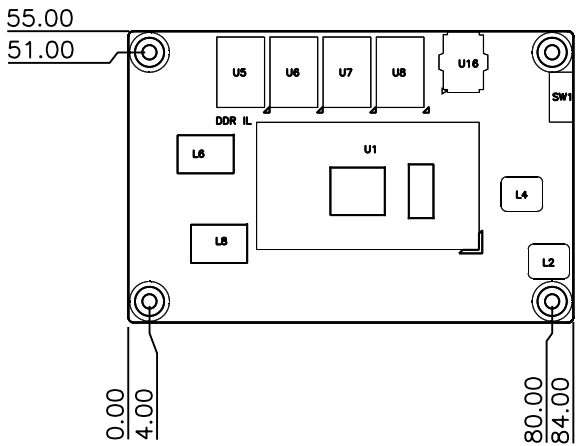
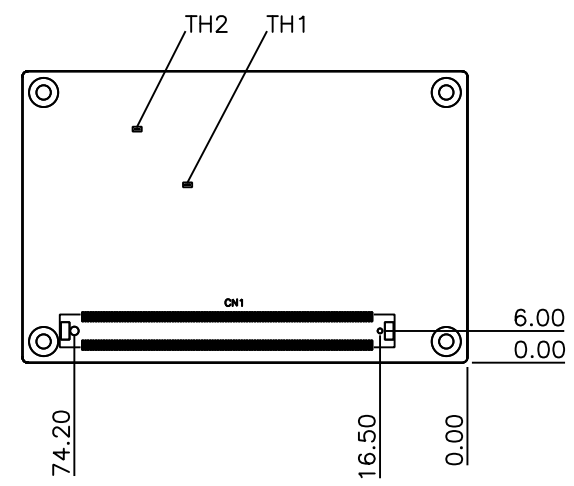
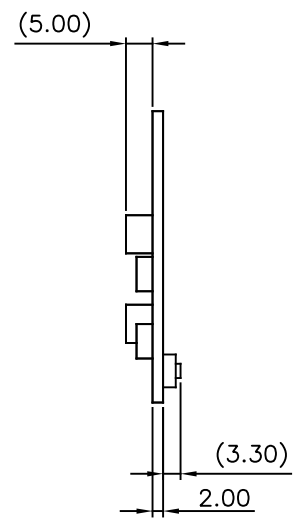


| ITEM | DATE | REMARK | DESIGNED | APPROVED |
|------|------|--------|----------|----------|
| 1 | | | | |
| 2 | | | | |
| 3 | | | | |



Component Side



Solder Side

| | | | | | |
|---|----------------|---------------------|------------|-----------|---|
| GENERAL TOL. >0 ±0.1 >10 ±0.2 >50 ±0.3 >200 ±0.5 >500 ±0.8 | MATERIAL: FR4 | PART No. 1907NUSU02 | | | AAEON [®] Technology Inc. <i>An FABLES Company</i> |
| | SPEC.: T=2.0mm | DWG No. 1907NUSU02 | | | |
| ANGLE TOL. ±0.5° | FINISH: NA | APPROVED | CHECKED | DESIGNED | NAME PCB DRAW |
| | UNIT: MM | | KEVIN | JOANNE | MODEL No. NanoCOM-SKU |
| SCALE: 1:1 | | 2016.09.21 | 2016.09.21 | REV. A1.0 | SHEET: 1 / 1 |