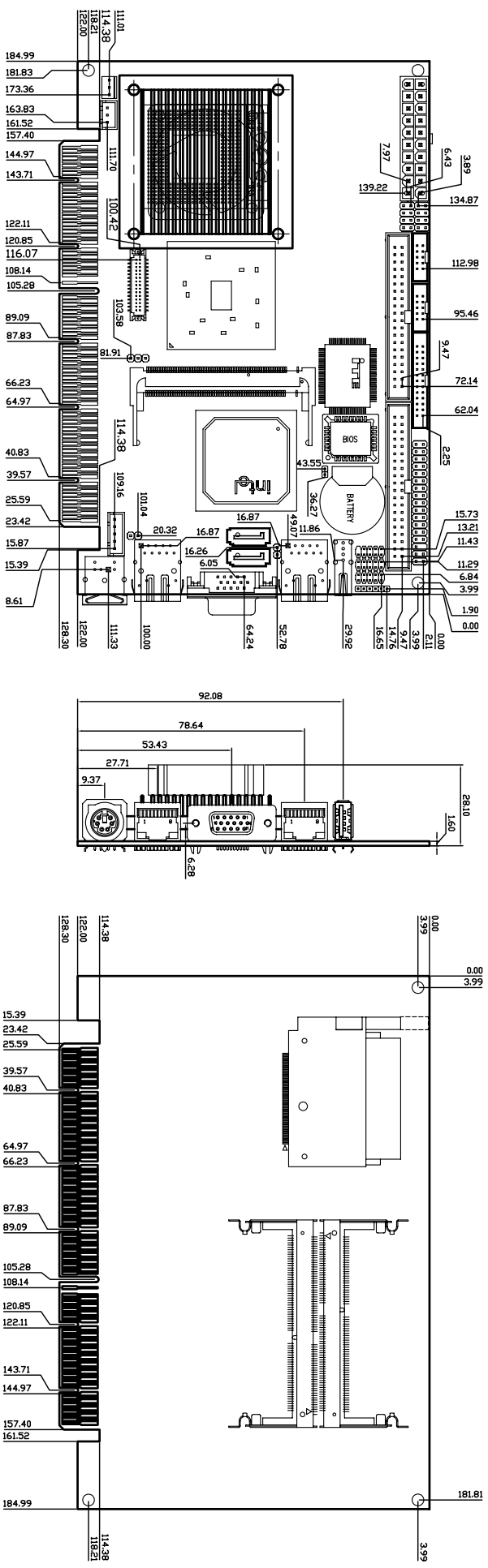


ITEM	DATE	REMARK	DESIGNED	APPROVED

AAEON HSB-813S_Mechanical Drawing



NOTE:
The cooling system is on the top of the board.

GENERAL TOL.	MATERIAL:	PART No.	AAEON Technology Inc. 研揚科技股份有限公司		
>0 ±0.1	SPEC.:	DWG No.	CHECKED	DESIGNED	MODEL No. HSB-813S
>10 ±0.2	FINISH:	APPROVED	ERICSU	ERICSU	REV. 0.1
>50 ±0.3	UNIT: MM	SCALE: 1:1	2006/03/15	2006/03/15	SHEET: 1 / 1
>200 ±0.5	ANGLE TOL.				
>500 ±0.8	±0.5°				