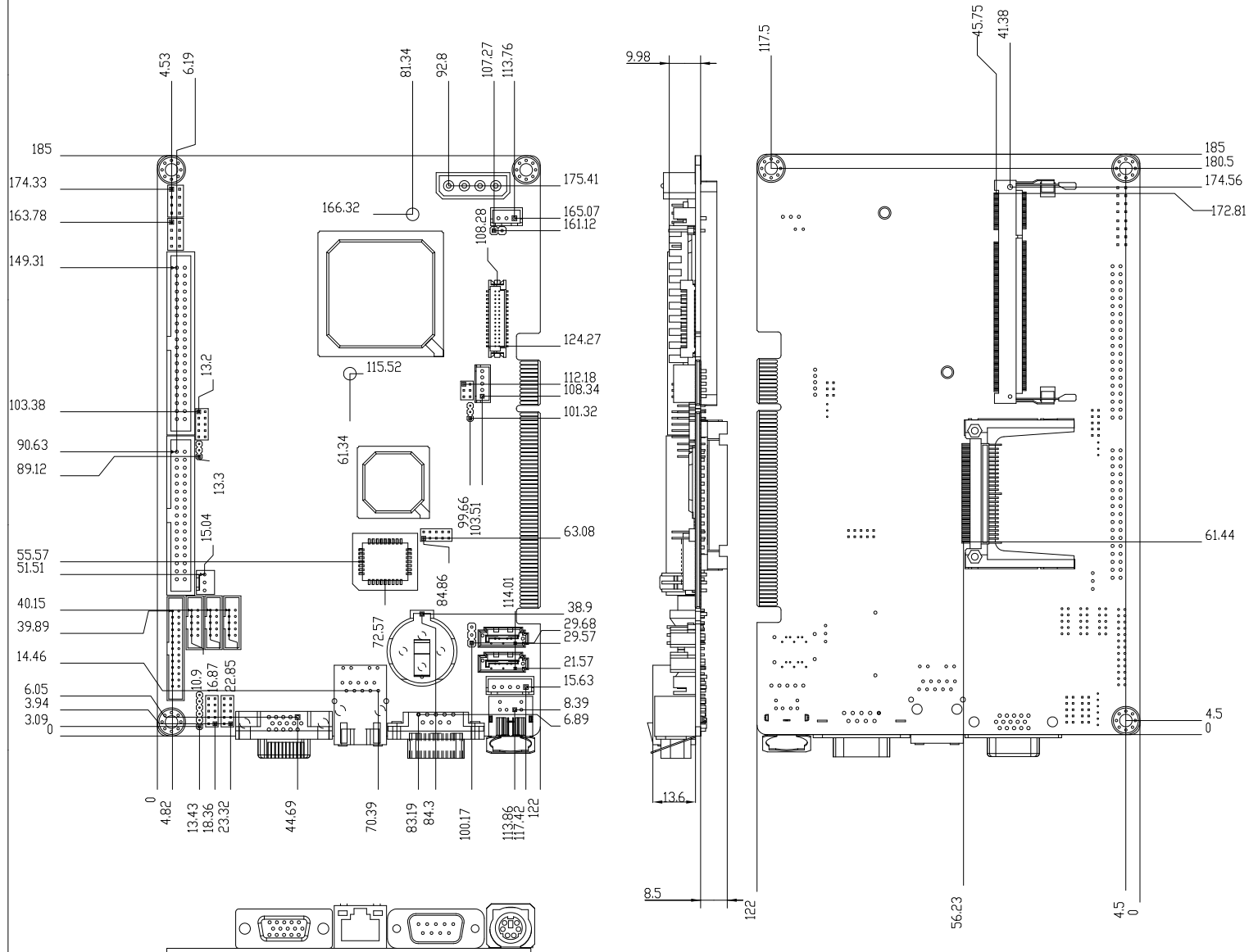


ITEM	DATE	REMARK	DESIGNED	APPROVED
1				
2				
3				

# AAEON HSB-800P\_A1.0\_Mechanical Drawing\_DIM



NOTE:

The Height of Cooling System Depends on Customer Cooling Device

GENERAL TOL.	MATERIAL: *****	PART NO: 9697B80002-D			<b>AAEON</b> ® Technology Inc. 研揚科技股份有限公司	
>0 ±0.1	SPEC: *****	DWG NO: 9697B80002-D				
>10 ±0.2	FINISH: *****	APPROVED	CHECKED	DESIGNED	NAME: HSB	
>50 ±0.3	UNIT: MM		VINCENT	TB	MODEL NO: HSB-800P	
>200 ±0.5	SCALE: 1.000		24-Sep-09	24-Sep-09	REV. 1.0	SHEET: 1/1
>500 ±0.8						
ANGLE TOL.						
±0.5°						