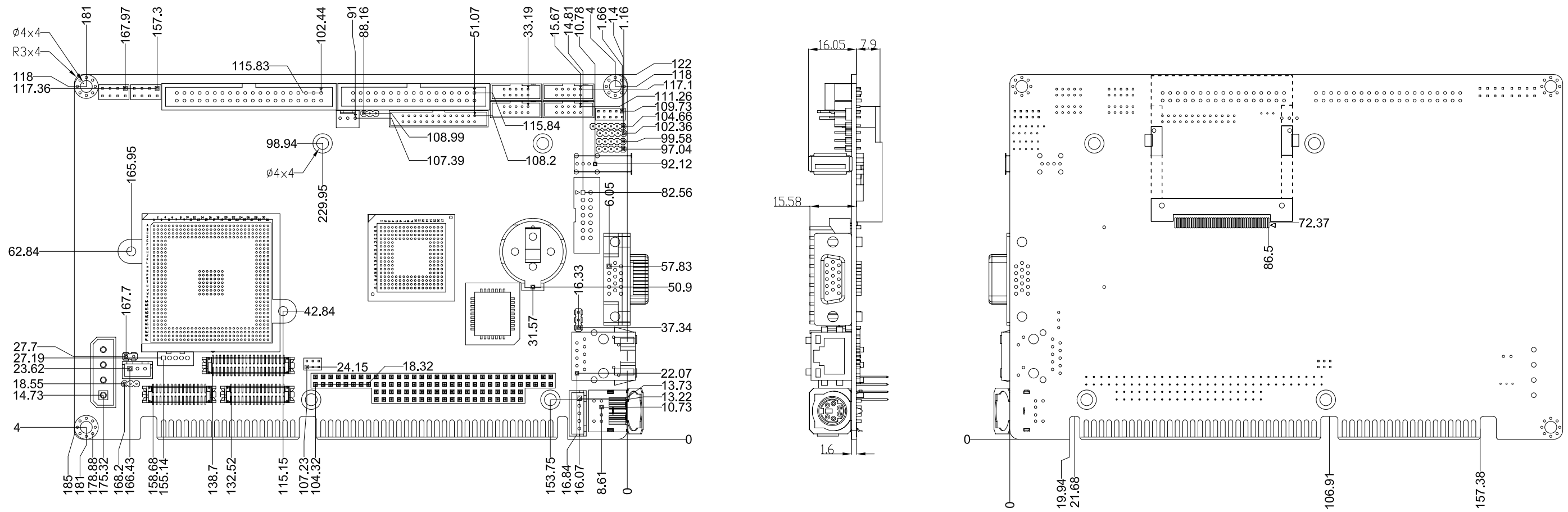


ITEM	DATE	REMARK	DESIGNED	APPROVED
1				
2				
3				

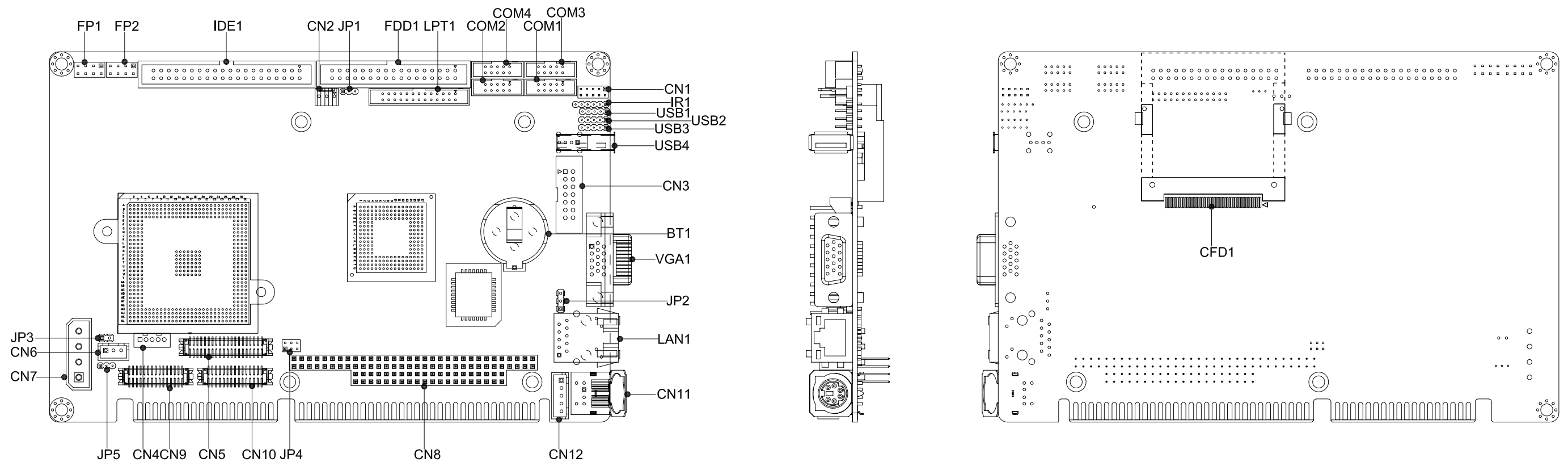
AAEON HSB-800I_A1.0_Mechanical Drawing_DIM



GENERAL TOL.	MATERIAL: N/A	PART NO:	1907800I01		AAEON ® Technology Inc. 研揚科技股份有限公司 NAME: Mechanical_Drawing_Dim
>0 ±0.1	SPEC: N/A	DWG NO:	1907800I01		
>10 ±0.2	FINISH: N/A	APPROVED	CHECKED	DESIGNED	MODEL NO: HSB-800I
>50 ±0.3	UNIT: MM		VINCENT	JAMES	REV. 1.0
>200 ±0.5	SCALE: 1:1		25-JAN-08	25-JAN-08	SHEET: 1/2
>500 ±0.8					
ANGLE TOL. ±0.5°					

ITEM	DATE	REMARK	DESIGNED	APPROVED
1				
2				
3				

AAEON HSB-800I_A1.0_Mechanical Drawing_Location



GENERAL TOL. >0 ±0.1 >10 ±0.2 >50 ±0.3 >200 ±0.5 >500 ±0.8	MATERIAL: N/A	PART NO: 1907800I01	AAEON ® Technology Inc. 研揚科技股份有限公司 NAME: Mechanical_Drawing_Location		
	SPEC: N/A	DWG NO: 1907800I01			
ANGLE TOL. ±0.5°	FINISH: N/A	APPROVED	CHECKED	DESIGNED	MODEL NO: HSB-800I
	UNIT: MM	SCALE: 1:1	VINCENT	JAMES	REV. 1.0 SHEET: 2/2
			25-JAN-08	25-JAN-08	