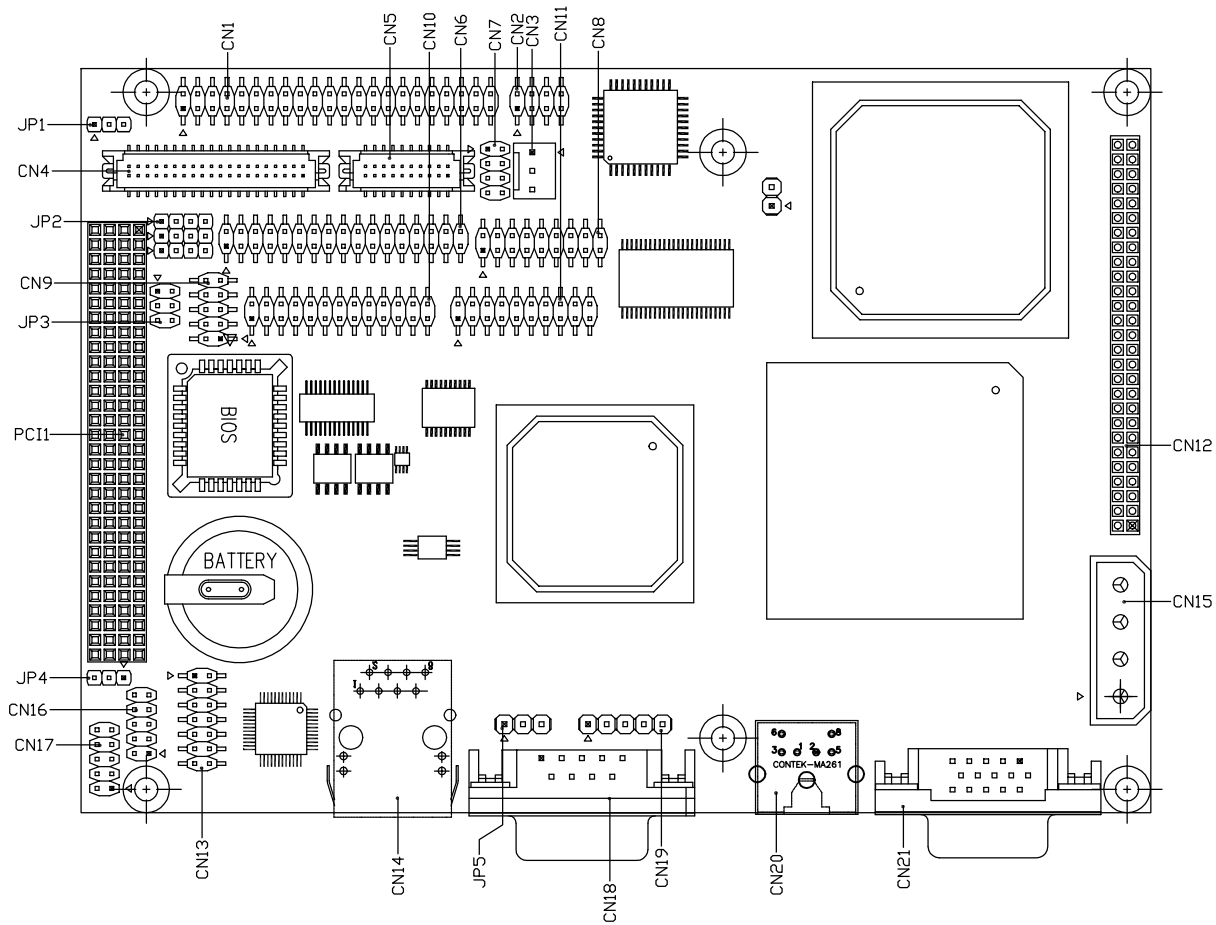


A B C D E F G H

| REV. | DATE | REMARK | DESIGNED | APPROVED |
|------|------|--------|----------|----------|
| | | | | |
| | | | | |

AAEON GENE-6310 Rev a0.2 Jumper and Connector Location



| | |
|--------------|------|
| GENERAL TOL. | |
| >0 | ±0.1 |
| >10 | ±0.2 |
| >50 | ±0.3 |
| >200 | ±0.4 |
| >500 | ±0.5 |
| ANGLE TOL. | |
| ±0.5° | |

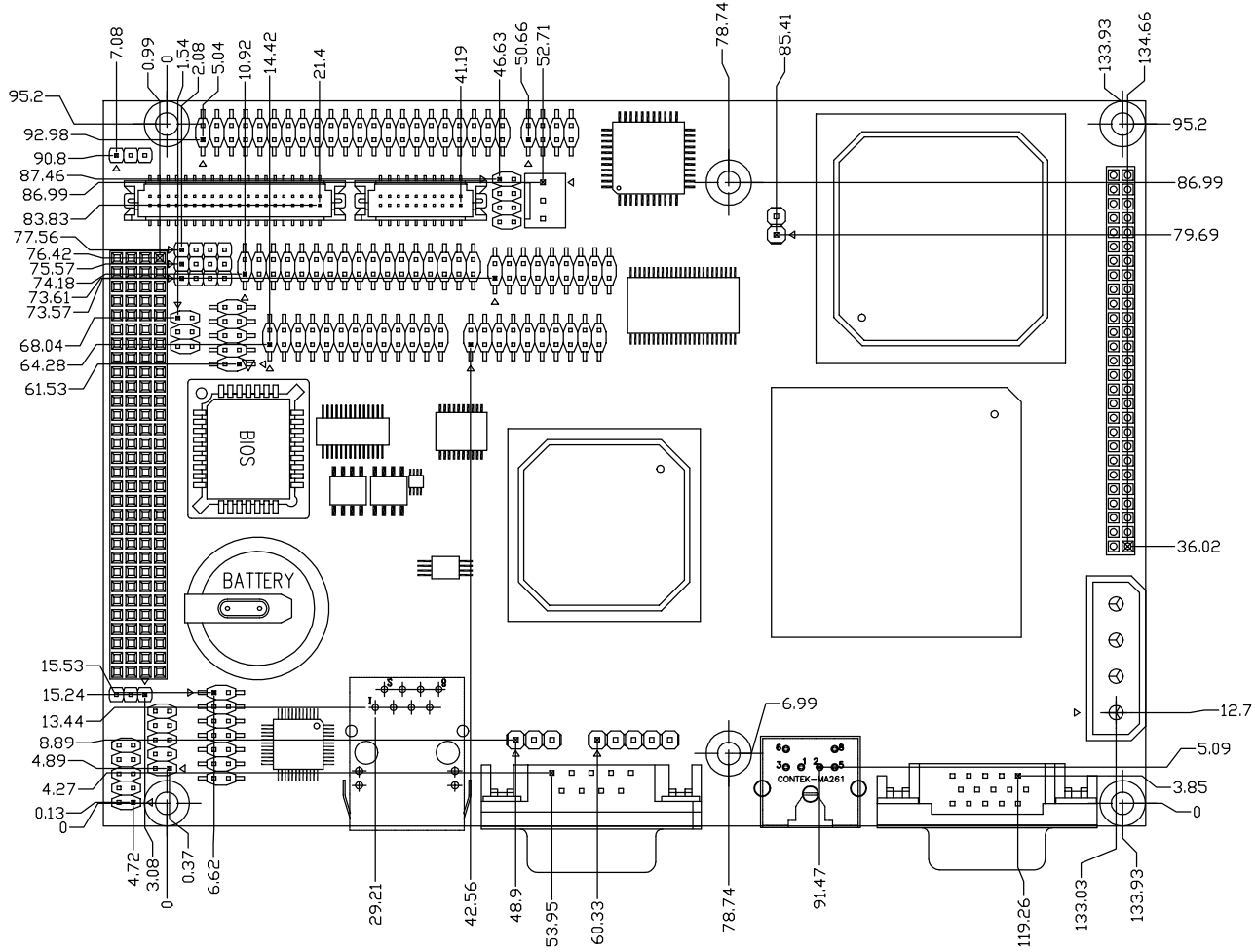
| | |
|-----------|--|
| MATERIAL: | |
| SPEC.: | |
| FINISH | |
| UNIT:mm | |
| SCALE:1/1 | |

| | | |
|----------------|---------|----------|
| GENE-6310-a0.2 | | |
| DWG No. | | |
| APPROVED | CHECKED | DESIGNED |
| | | 郭桂菁 |
| | | 90/12/26 |

| | |
|------------------------|-------------------------|
| AAEON® Technology Inc. | |
| 研揚科技股份有限公司 | |
| NAME | MODEL No.GENE-6310-a0.2 |
| REV. a0.2 | SHEET: / |

AAEON GENE-6310 Rev a0.2 Mechanical Drawing

| REV. | DATE | REMARK | DESIGNED | APPROVED |
|------|------|--------|----------|----------|
| | | | | |

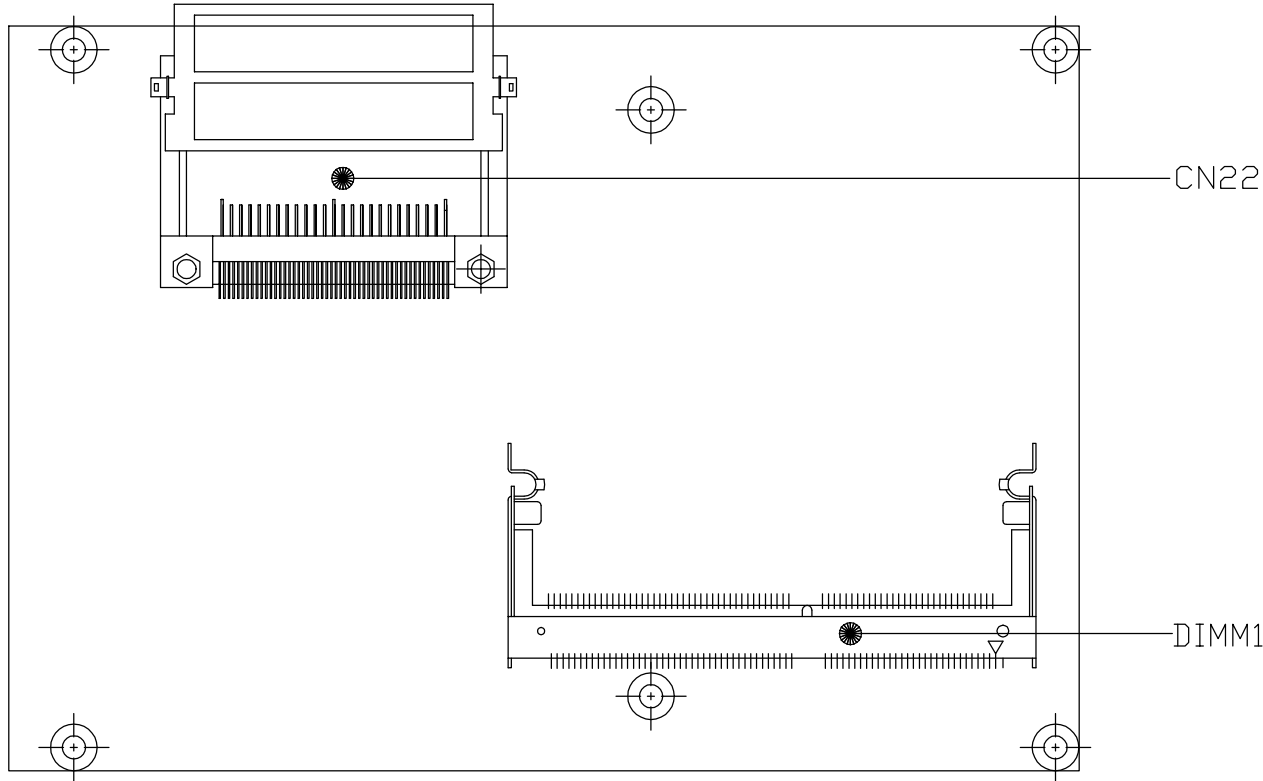


| | | | | | |
|--|-----------|----------------|---------|----------|--|
| GENERAL TOL. >0 ±0.1 >10 ±0.2 >50 ±0.3 >200 ±0.4 >500 ±0.5 ANGLE TOL. ±0.5° | MATERIAL: | GENE-6310-a0.2 | | | AAEON Technology Inc. 研揚科技股份有限公司 |
| | SPEC.: | DWG No. | | | |
| | FINISH | APPROVED | CHECKED | DESIGNED | NAME |
| | UNIT:mm | | | 郭桂菁 | MODEL No.GENE-6310-a0.2 |
| | SCALE:1/1 | | | 90/12/26 | REV. a0.2 SHEET: / |

A B C D E F G H

| REV. | DATE | REMARK | DESIGNED | APPROVED |
|------|------|--------|----------|----------|
| | | | | |
| | | | | |

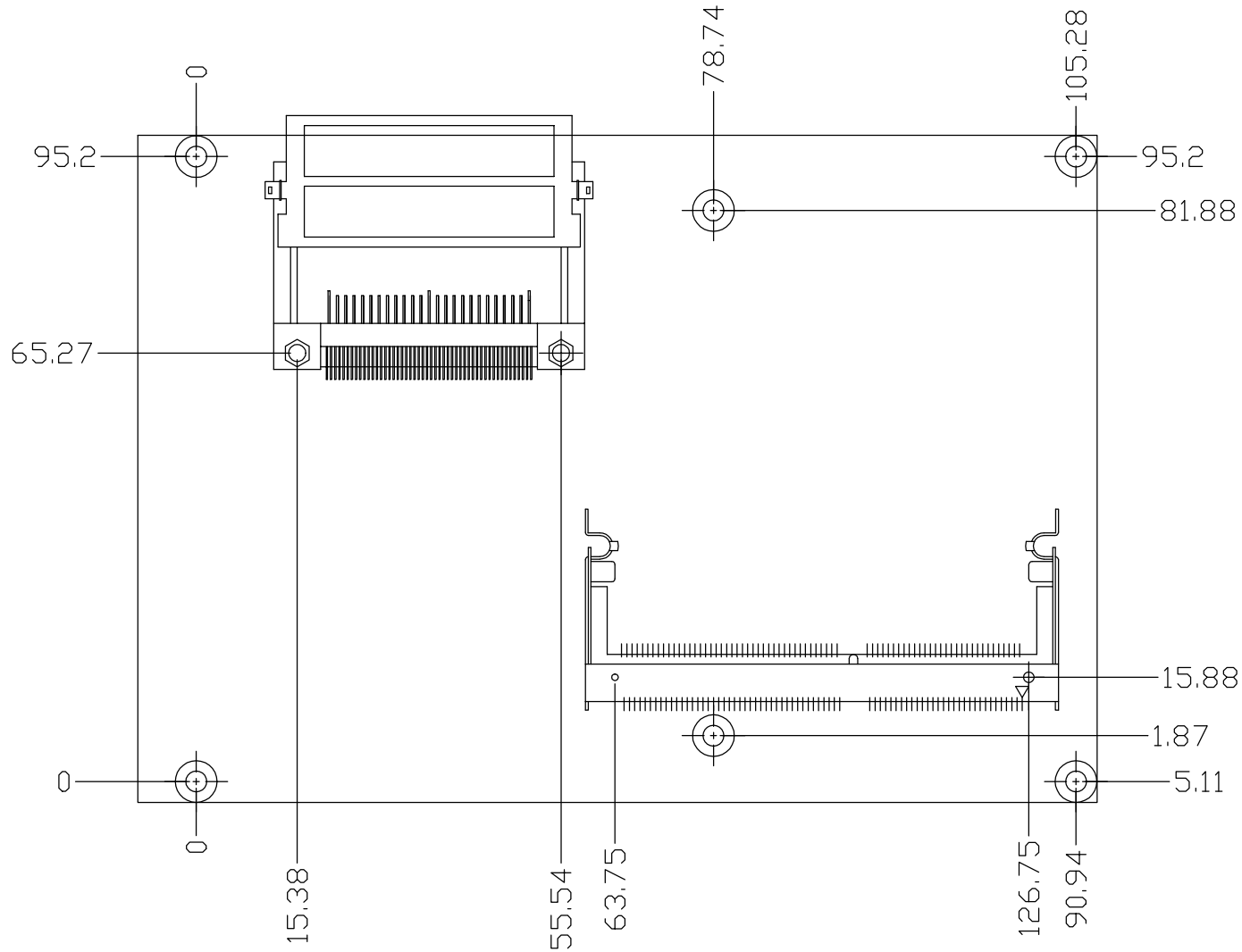
AAEON GENE-6310-B REVa0.2 Mechanical Drawing



| | | | | | | |
|--------------|-----------|-------------------|----------|----------|---------------------------|----------|
| GENERAL TOL. | MATERIAL: | GENE-6310B-B-a0.2 | | | AAEON® Technology Inc. | |
| >0 ±0.1 | SPEC.: | DWG No. | | | 研揚科技股份有限公司 | |
| >10 ±0.2 | FINISH | APPROVED | CHECKED | DESIGNED | NAME | |
| >50 ±0.3 | UNIT:mm | | JayLiaw | 郭桂菁 | MODEL No.GENE-6310-B-a0.2 | |
| >200 ±0.4 | SCALE:1/1 | | 91/03/07 | 90/12/26 | REV. a0.2 | SHEET: / |
| >500 ±0.5 | | | | | | |
| ANGLE TOL. | | | | | | |
| ±0.5° | | | | | | |

AAEON GENE-6310-B REVa0.2 Mechanical Drawing

| REV. | DATE | REMARK | DESIGNED | APPROVED |
|------|------|--------|----------|----------|
| | | | | |
| | | | | |



| | | | | | | | |
|--|------------------|--|-------------------|----------|---------------------------|--------------------------------------|--|
| GENERAL TOL. >0 ±0.1 >10 ±0.2 >50 ±0.3 >200 ±0.4 >500 ±0.5 ANGLE TOL. ±0.5° | MATERIAL: | | GENE-6310B-B-a0.2 | | | AAEON® Technology Inc. 研揚科技股份有限公司 | |
| | SPEC.: | | DWG No. | | | | |
| | FINISH | | APPROVED | CHECKED | DESIGNED | NAME | |
| | UNIT:mm | | JayLiaw | 郭桂菁 | MODEL No.GENE-6310-B-a0.2 | | |
| | SCALE:1/1 | | 91/03/07 | 90/12/26 | REV. a0.2 | SHEET: / | |