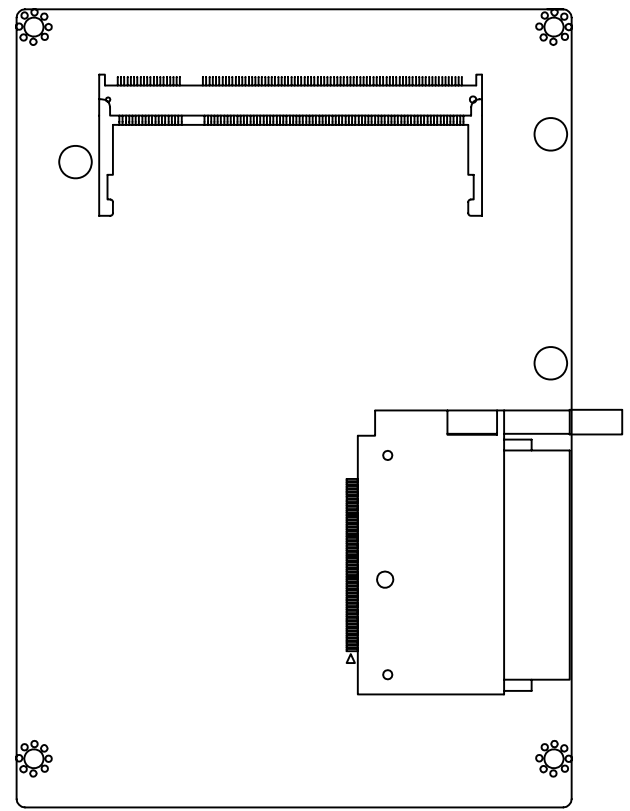
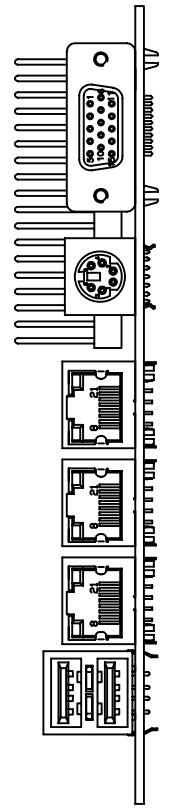
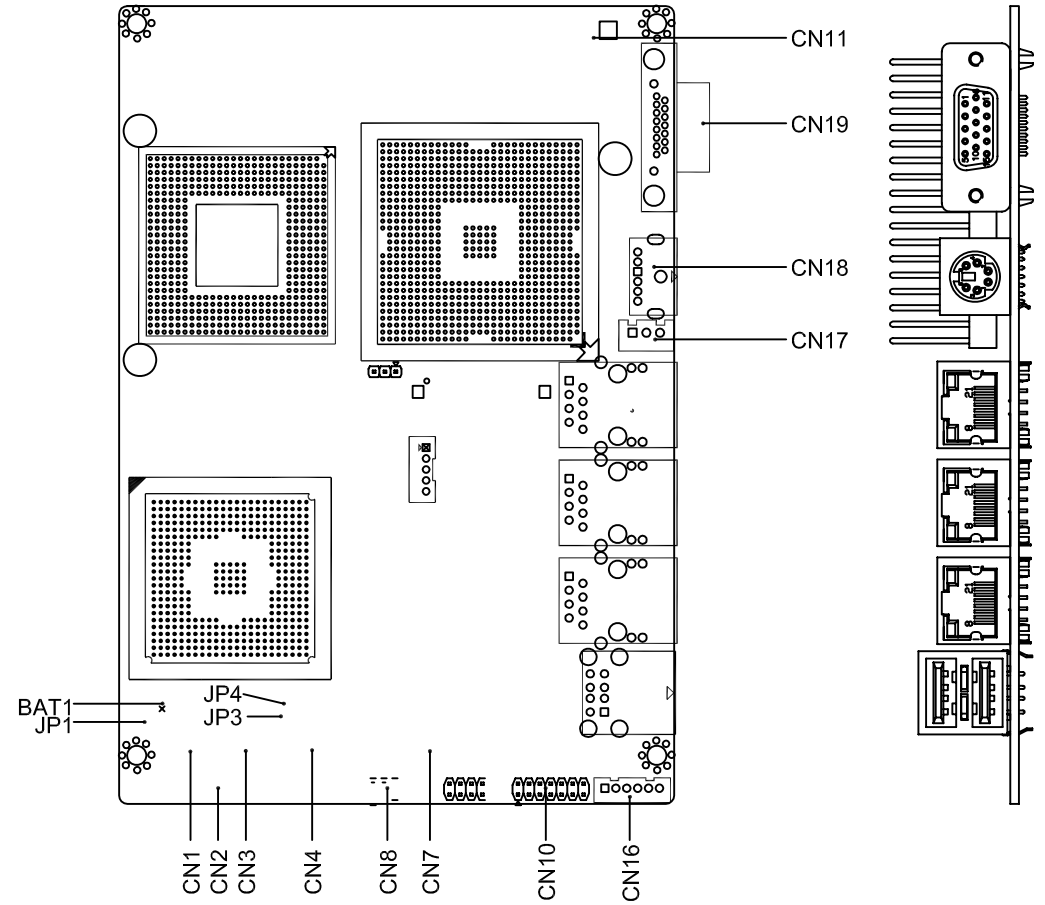


ITEM	DATE	REMARK	DESIGNED	APPROVED
A				
B				
C				

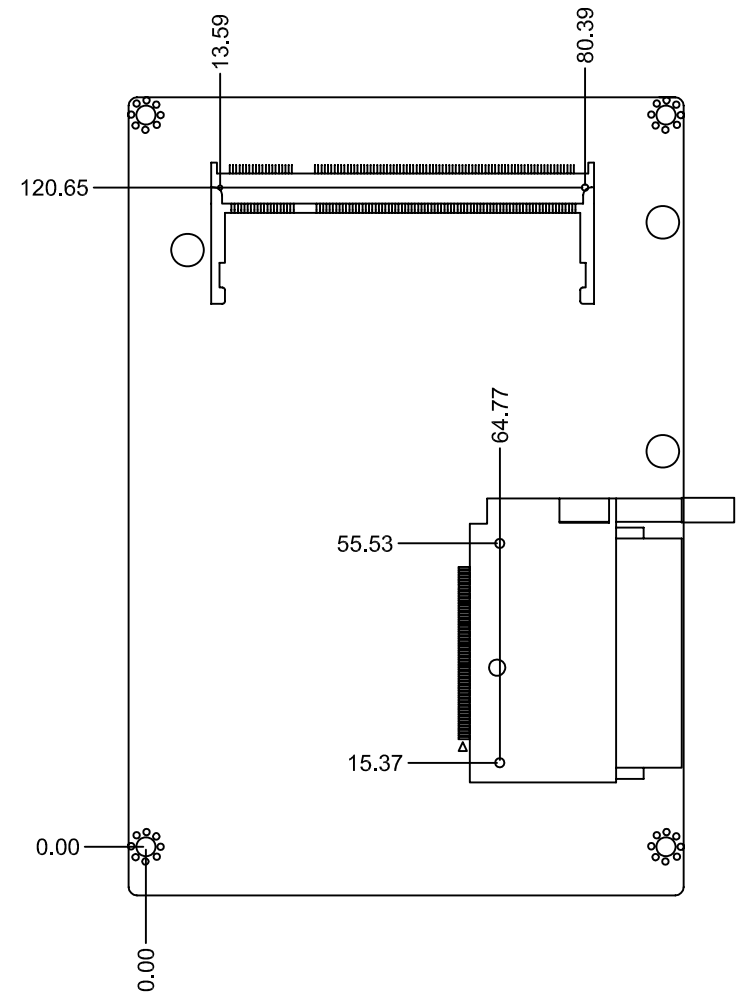
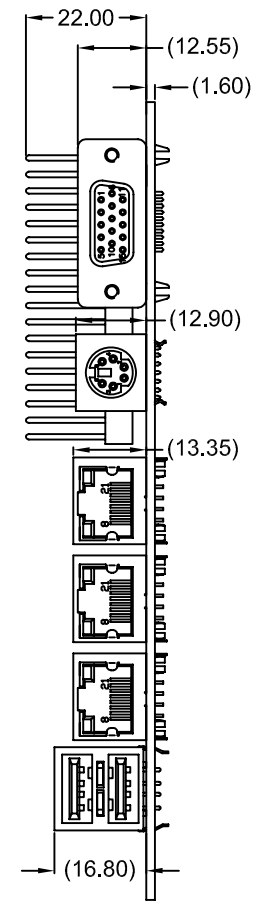
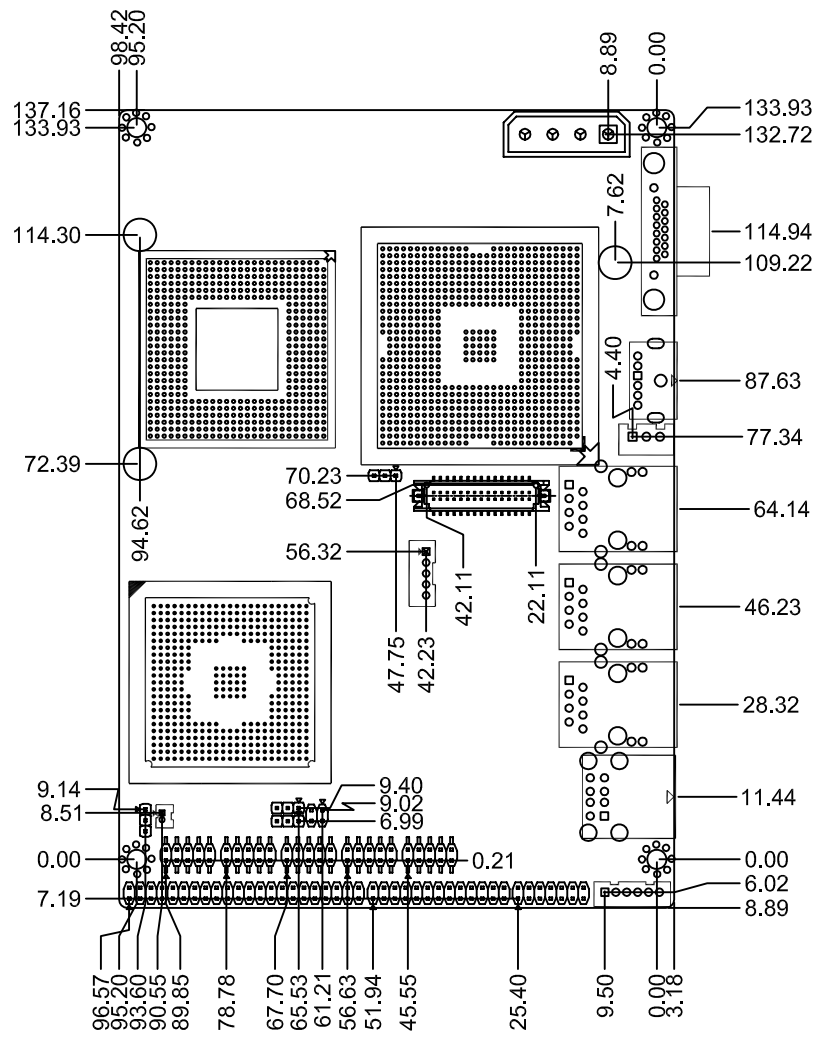
1  
2  
3  
4  
5  
6  
7  
8  
9  
10  
11



NOTE:  
The Height of Cooling System Depends on Customer Cooling Device.

GENERAL TOL. >0 ±0.1 >10 ±0.2 >50 ±0.3 >200 ±0.5 >500 ±0.8	MATERIAL:	PART No. 1907831502			<b>AAEON</b> Technology Inc. 研揚科技股份有限公司	
ANGLE TOL. ±0.5°	SPEC.:	DWG No. 1907831502			NAME PCB	
	FINISH:	APPROVED	CHECKED	DESIGNED	MODEL No. GENE-8315	
	UNIT: MM		TRISTAN	ERIC	REV. A1.0	
	SCALE:		08/04/09	08/04/09	SHEET: 1 / 1	

ITEM	DATE	REMARK	DESIGNED	APPROVED
A				
B				
C				



NOTE:  
The Height of Cooling System Depends on Customer Cooling Device.

GENERAL TOL. >0 ±0.1 >10 ±0.2 >50 ±0.3 >200 ±0.5 >500 ±0.8	MATERIAL:	PART No. 1907831502			<b>AAEON</b> Technology Inc. 研揚科技股份有限公司	
ANGLE TOL. ±0.5°	SPEC.:	DWG No. 1907831502			NAME PCB	
	FINISH:	APPROVED	CHECKED	DESIGNED	MODEL No. GENE-8315	
	UNIT: MM		TRISTAN	ERIC	REV. A1.0	
	SCALE:		08/04/09	08/04/09	SHEET: 1 / 1	