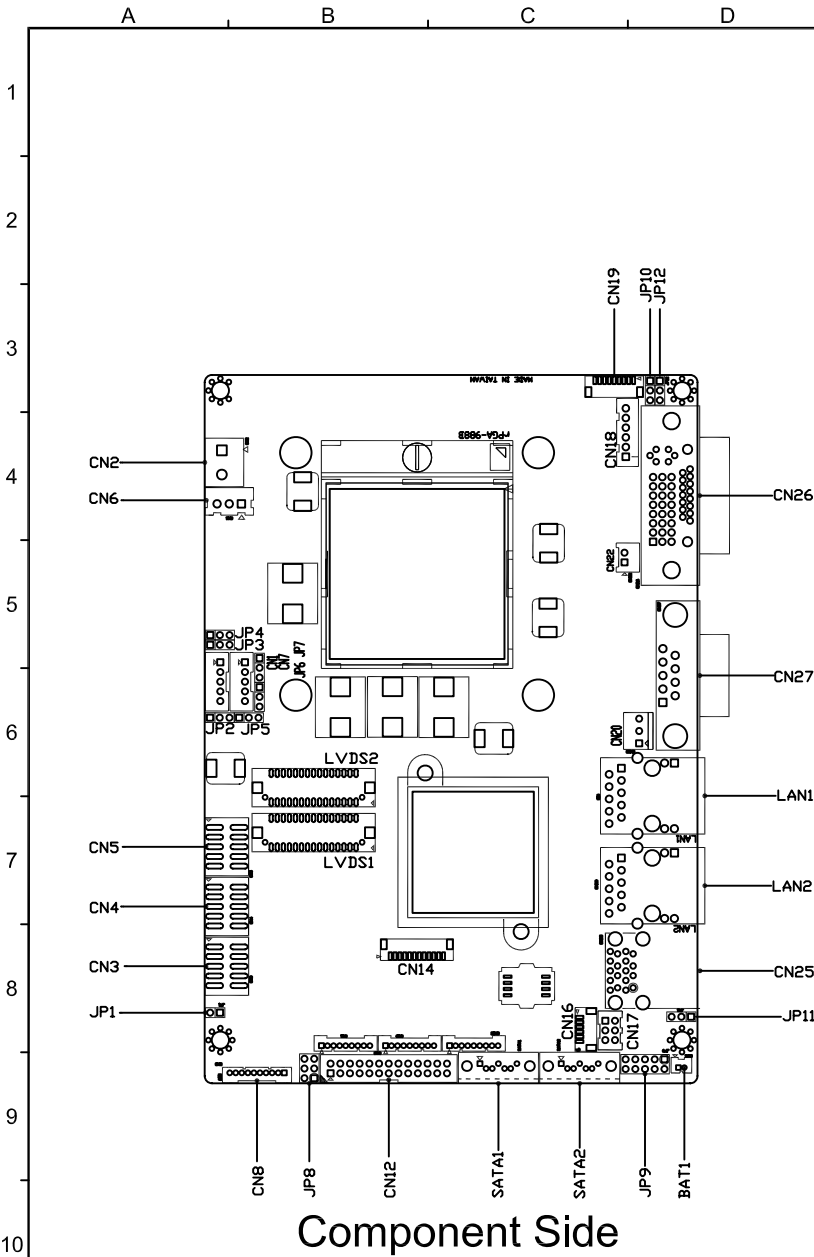
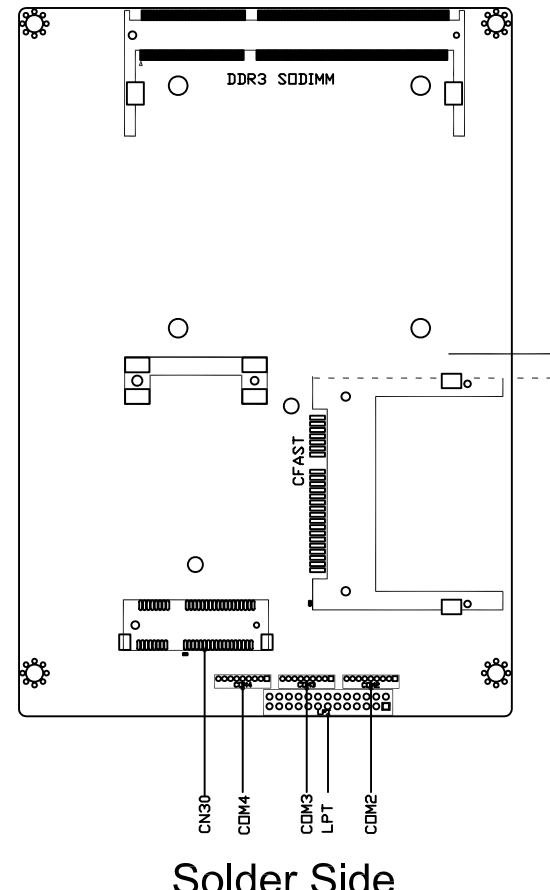
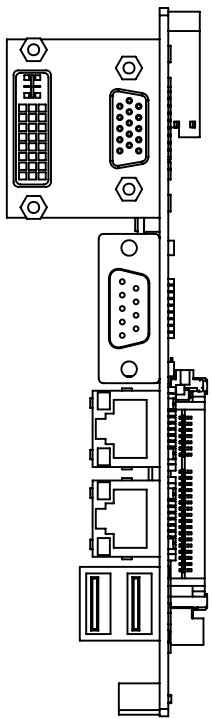


ITEM	DATE	REMARK	DESIGNED	APPROVED
1				
2				
3				



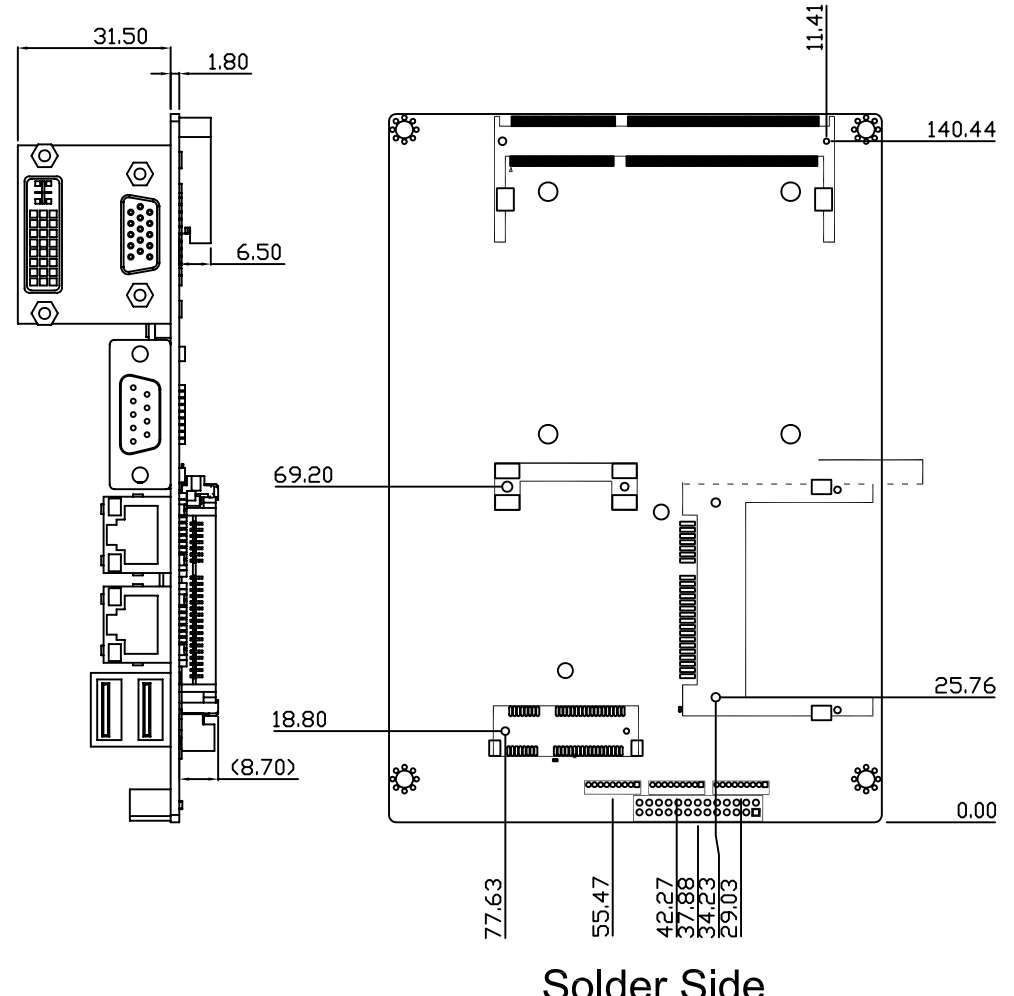
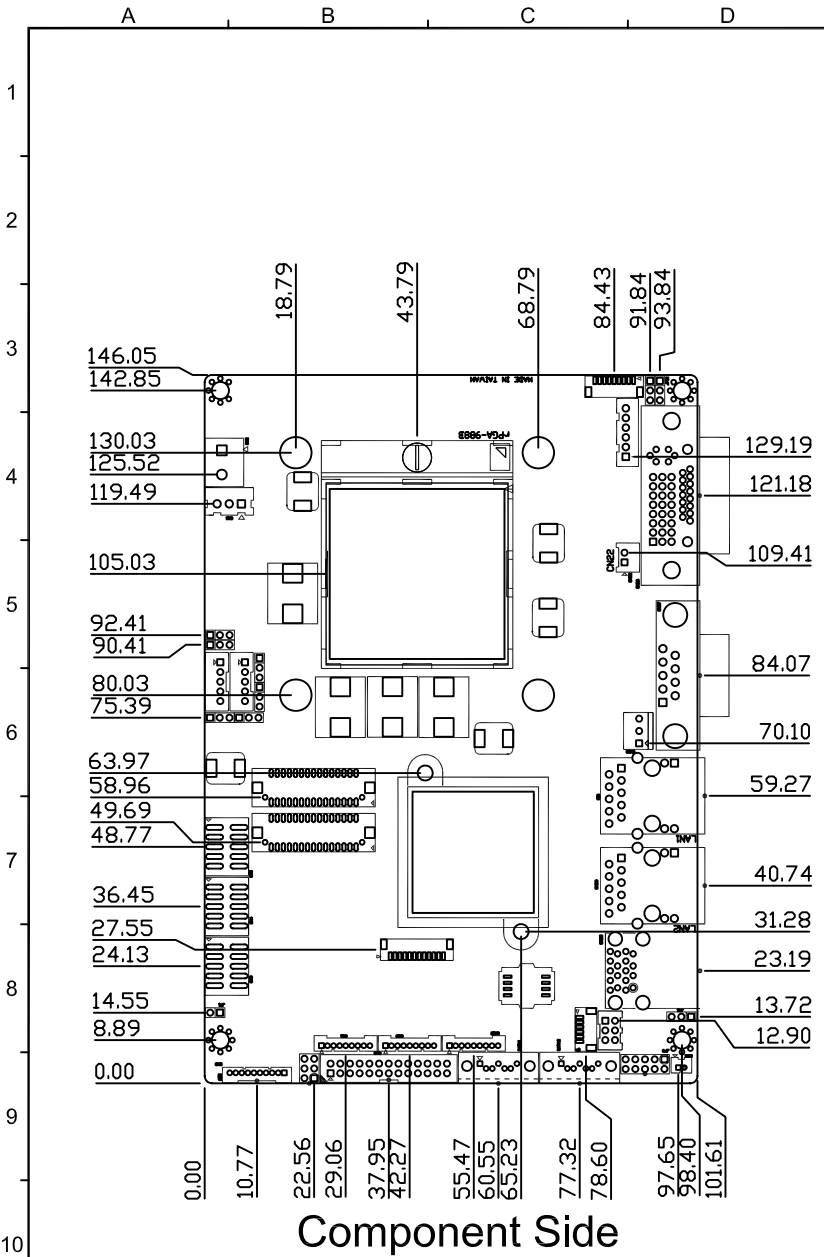
Component Side



Solder Side

GENERAL TOL. >0 ±0.1 >10 ±0.2 >50 ±0.3 >200 ±0.5 >500 ±0.8 ANGLE TOL. ±0.5°	MATERIAL: PCB	PART No. 1907QM7712			AEON Technology Inc. <i>An INTEL Company</i>	
	SPEC.: NA	DWG No. 1907QM7712				
	FINISH: NA	APPROVED	CHECKED	DESIGNED	NAME ME drwaing	
	UNIT: MM		GlenWen	ScottChen	MODEL No. GENE-QM77 Rev.A	
SCALE:		20120319	20120319	REV. 0.0	SHEET: 1 / 1	

ITEM	DATE	REMARK	DESIGNED	APPROVED
1				
2				
3				



GENERAL TOL. >0 ±0.1 >10 ±0.2 >50 ±0.3 >200 ±0.5 >500 ±0.8	MATERIAL: PCB	PART No. 1907QM7712			AAEON [®] Technology Inc. <i>An INTEL Company</i>
	SPEC.: NA	DWG No. 1907QM7712			
ANGLE TOL. ±0.5°	FINISH: NA	APPROVED	CHECKED	DESIGNED	NAME ME drwaing
	UNIT: MM		GlenWen	ScottChen	MODEL No. GENE-QM77 Rev.A
SCALE:			20120319	20120319	REV. 0.0 SHEET: 1 / 1