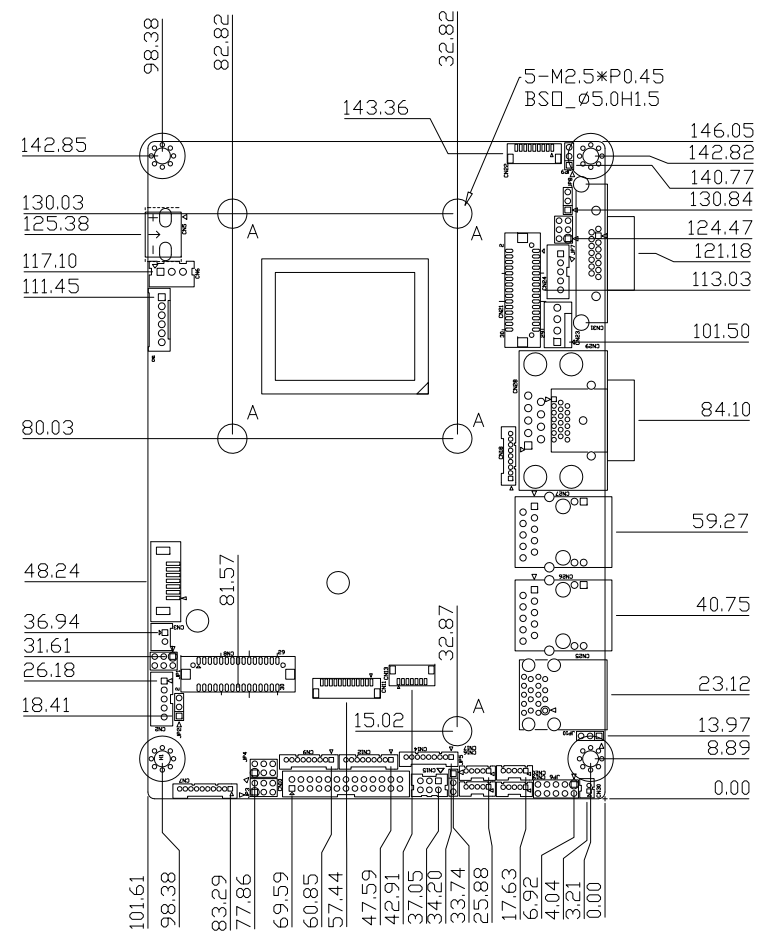
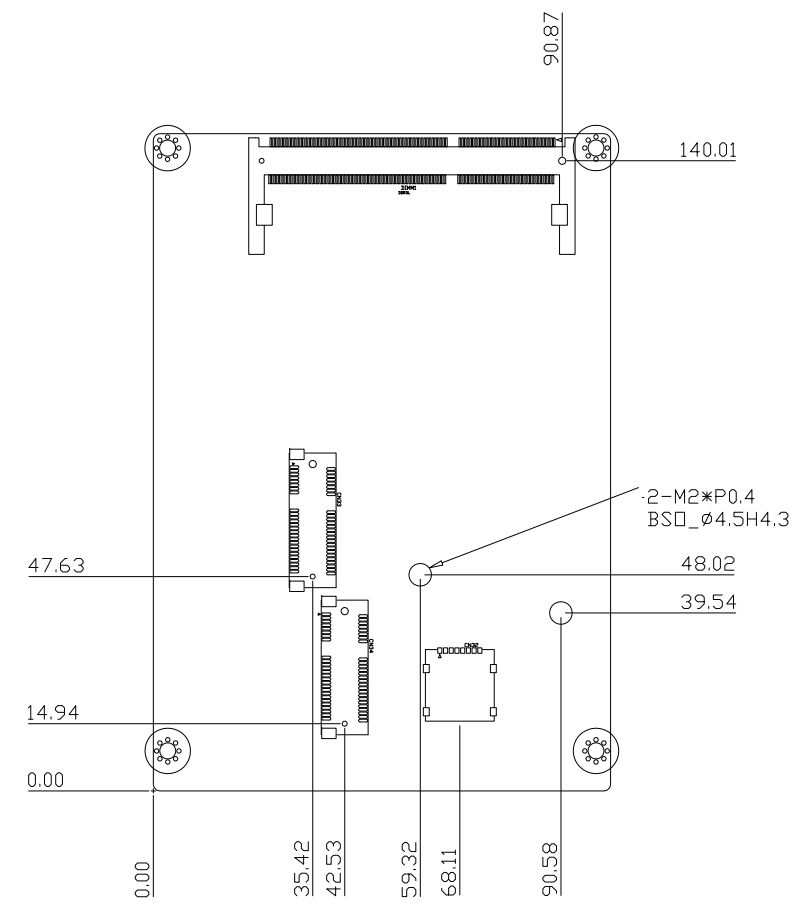
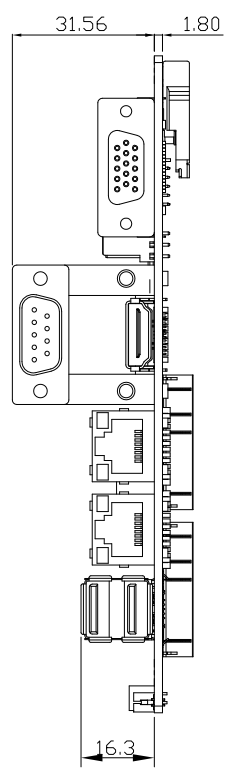


ITEM	DATE	REMARK	DESIGNED	APPROVED
1				
2				
3				

1
2
3
4
5
6
7
8
9
10
11



Component Side

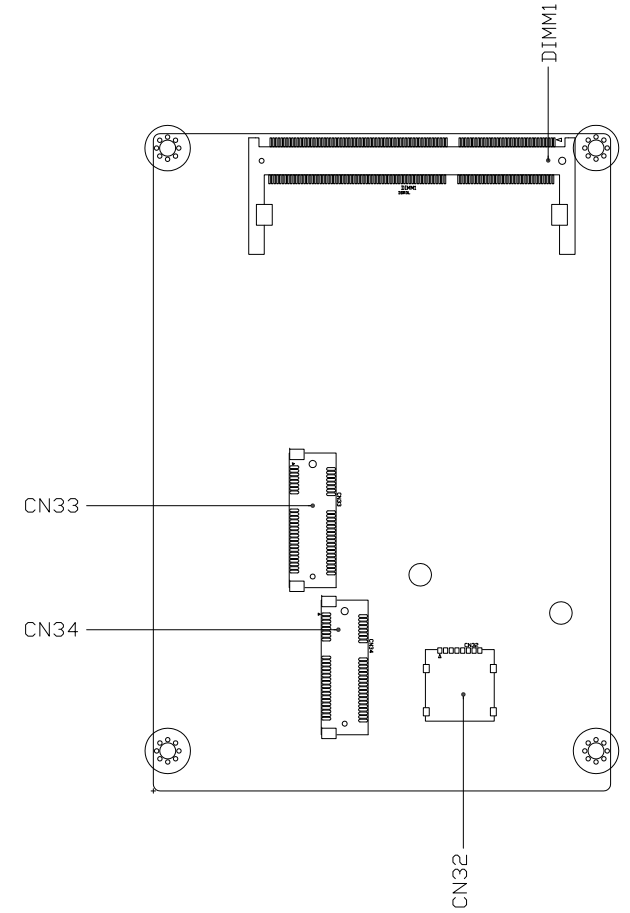
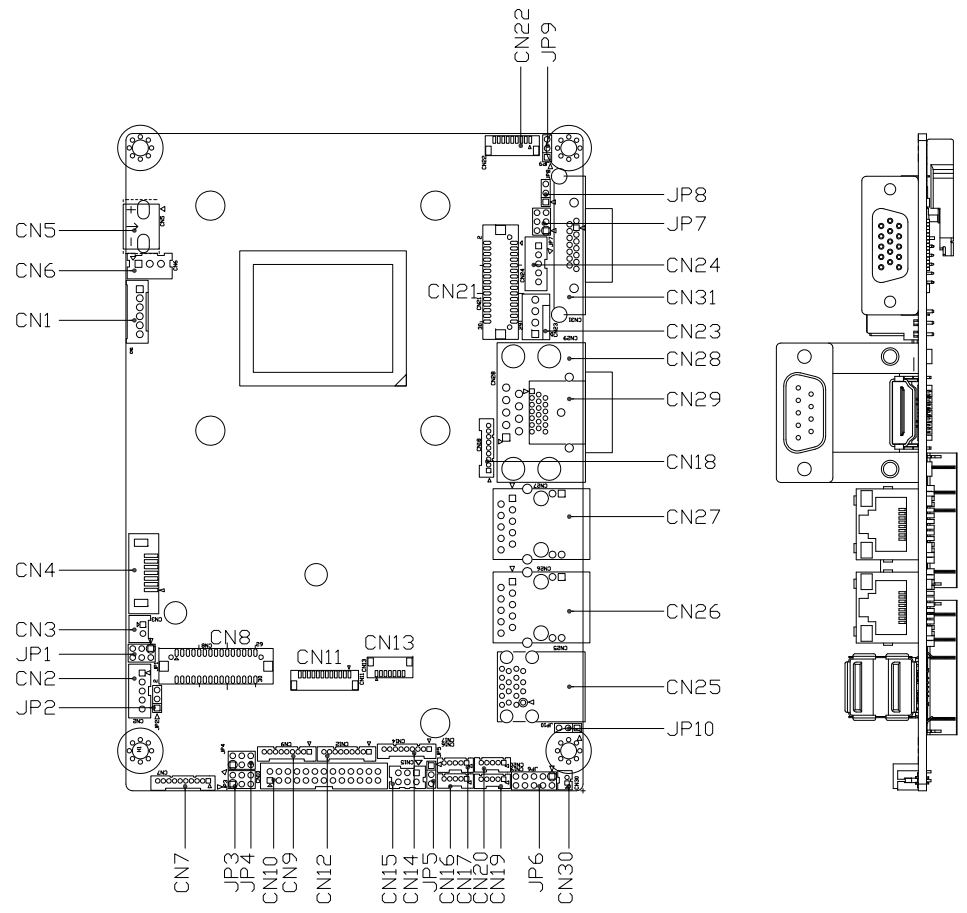


Solder Side

GENERAL TOL. >0 ±0.1 >10 ±0.2 >50 ±0.3 >200 ±0.5 >500 ±0.8 ANGLE TOL. ±0.5°	MATERIAL: PCB	PART No. 1907APL504		Technology Inc. An ISBUS Company		
	SPEC.: t=1.8mm	DWG No. 1907APL504				
	FINISH: NA	APPROVED	CHECKED	DESIGNED	NAME PCB_DRAWING	
	UNIT: MM	SCALE:	Kevin	Willie	MODEL No. GENE-APL5	
			20170628	20170628	REV. A1.1	SHEET: 1 / 1

ITEM	DATE	REMARK	DESIGNED	APPROVED
1				
2				
3				

1
2
3
4
5
6
7
8
9
10
11



Component Side

Solder Side

GENERAL TOL. >0 ±0.1 >10 ±0.2 >50 ±0.3 >200 ±0.5 >500 ±0.8 ANGLE TOL. ±0.5°	MATERIAL: PCB	PART No. 1907APL504			AEON ® Technology Inc. An ISLUS Company	
	SPEC.: t=1.8mm	DWG No. 1907APL504				
	FINISH: NA	APPROVED	CHECKED	DESIGNED	NAME PCB_DRAWING	
	UNIT: MM		Kevin	Willie	MODEL No. GENE-APL5	
	SCALE:		20170628	20170628	REV. A1.1	SHEET: 1 / 1