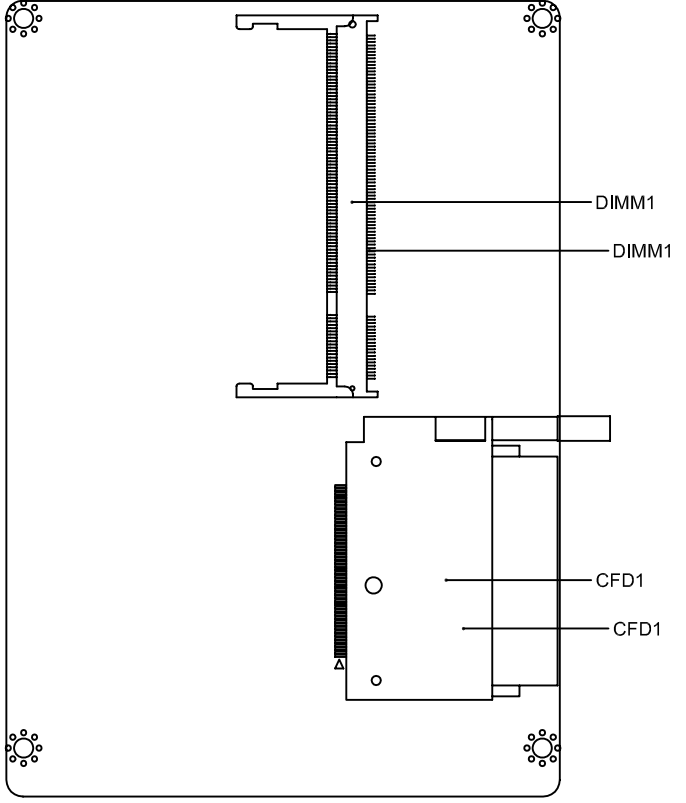
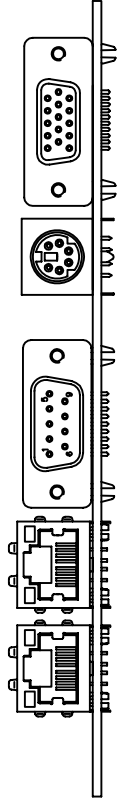
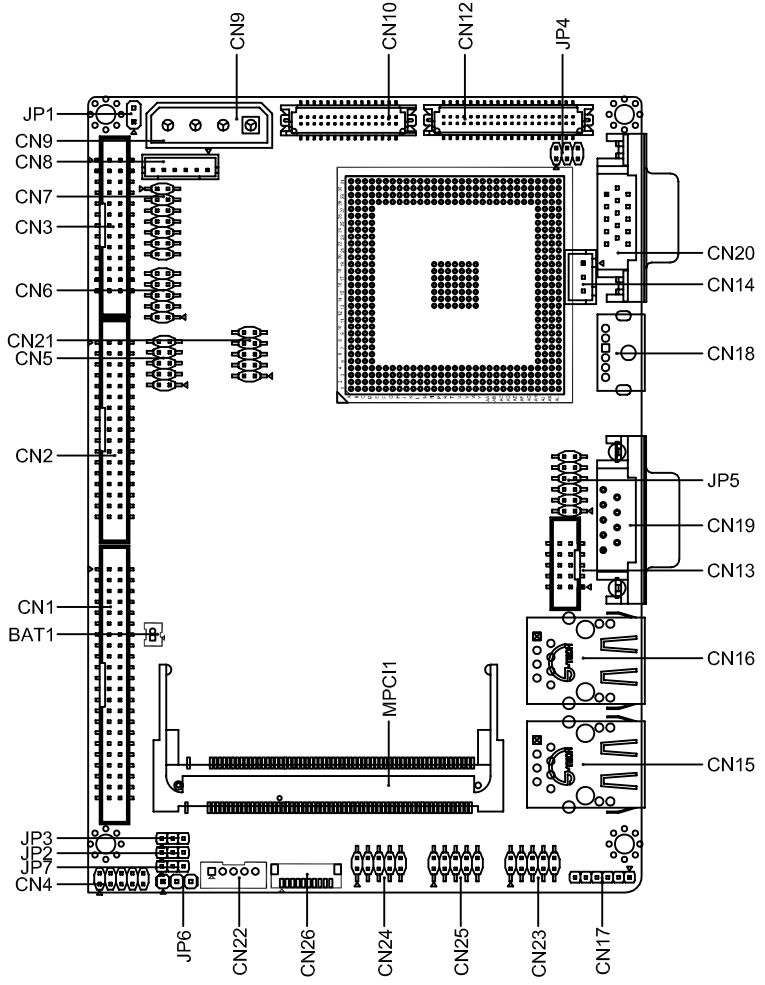


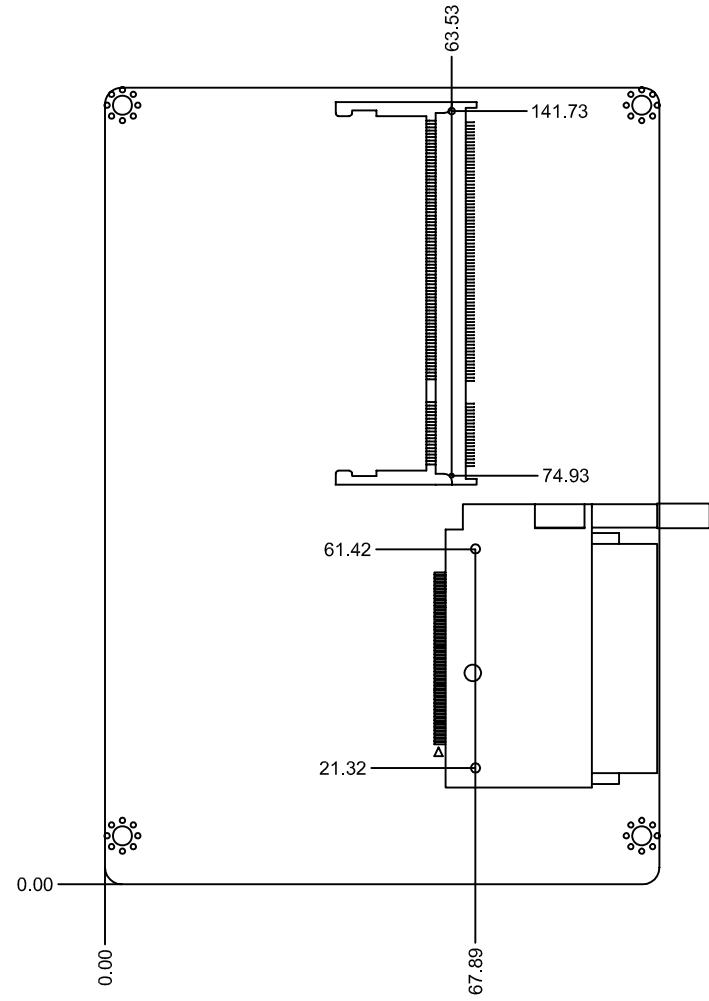
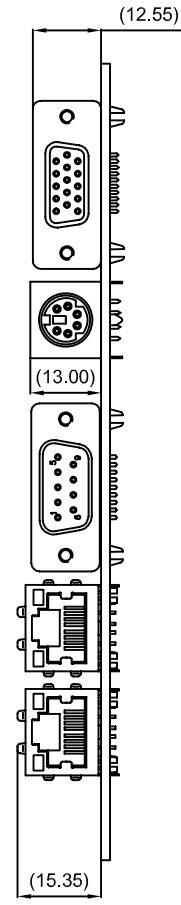
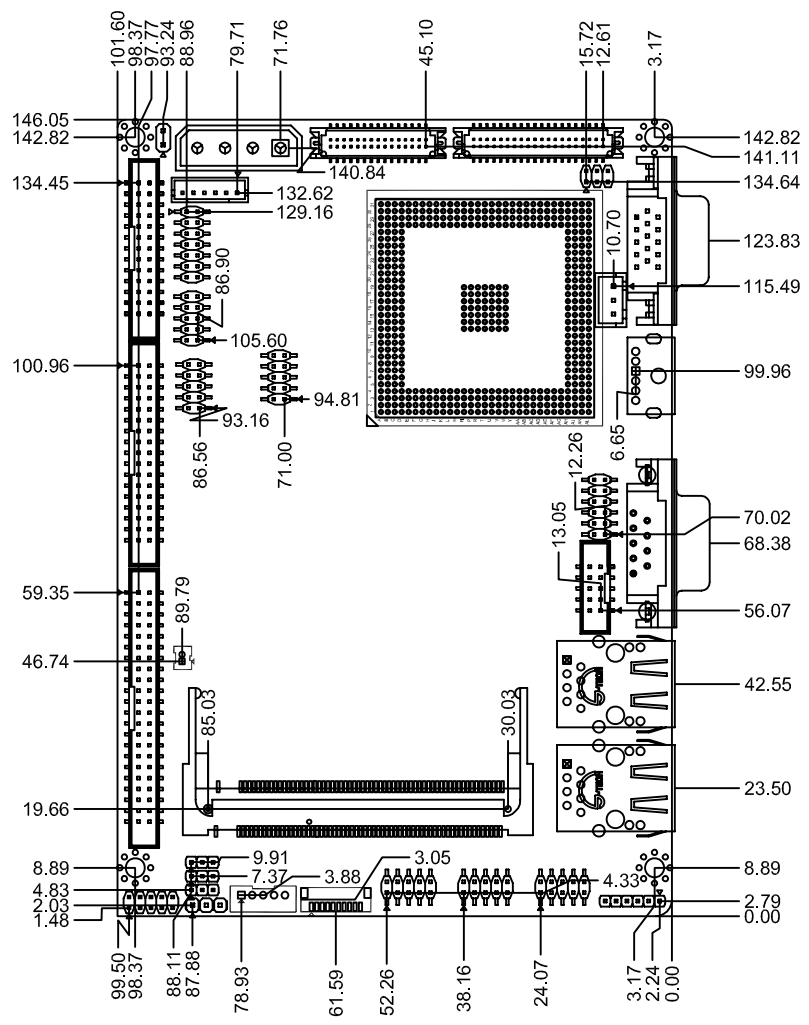
ITEM	DATE	REMARK	DESIGNED	APPROVED
A				
B				
C				



NOTE:  
The Height of Cooling System Depends on Customer Cooling Device.

GENERAL TOL. >0 ±0.1 >10 ±0.2 >50 ±0.3 >200 ±0.5 >500 ±0.8	MATERIAL: *****	PART No. 1907531505			<b>AAEON</b> Technology Inc. 研揚科技股份有限公司
	SPEC.: 1.6t	DWG No. 1907531505			
ANGLE TOL. ±0.5°	FINISH: *****	APPROVED	CHECKED	DESIGNED	NAME GENE-5315-CN&JP
	UNIT: MM		TRISTAN	ERICHUNG	MODEL No. GENE-5315
	SCALE:		08/03/04	08/03/04	REV. B1.0 SHEET: 1 / 2

ITEM	DATE	REMARK	DESIGNED	APPROVED
A				
B				
C				



NOTE:  
The Height of Cooling System Depends on Customer Cooling Device.

GENERAL TOL. >0 ±0.1 >10 ±0.2 >50 ±0.3 >200 ±0.5 >500 ±0.8	MATERIAL: *****	PART No. 1907531505	<b>AEON</b> Technology Inc. 研揚科技股份有限公司	
ANGLE TOL. ±0.5°	SPEC.: 1.6t	DWG No. 1907531505	NAME GENE-5315-CN&JP	MODEL No. GENE-5315
	FINISH: *****	APPROVED	CHECKED	DESIGNED
	UNIT: MM	TRISTAN	ERICHUNG	08/03/04
	SCALE:	08/03/04	08/03/04	REV. B1.0 SHEET: 1 / 2