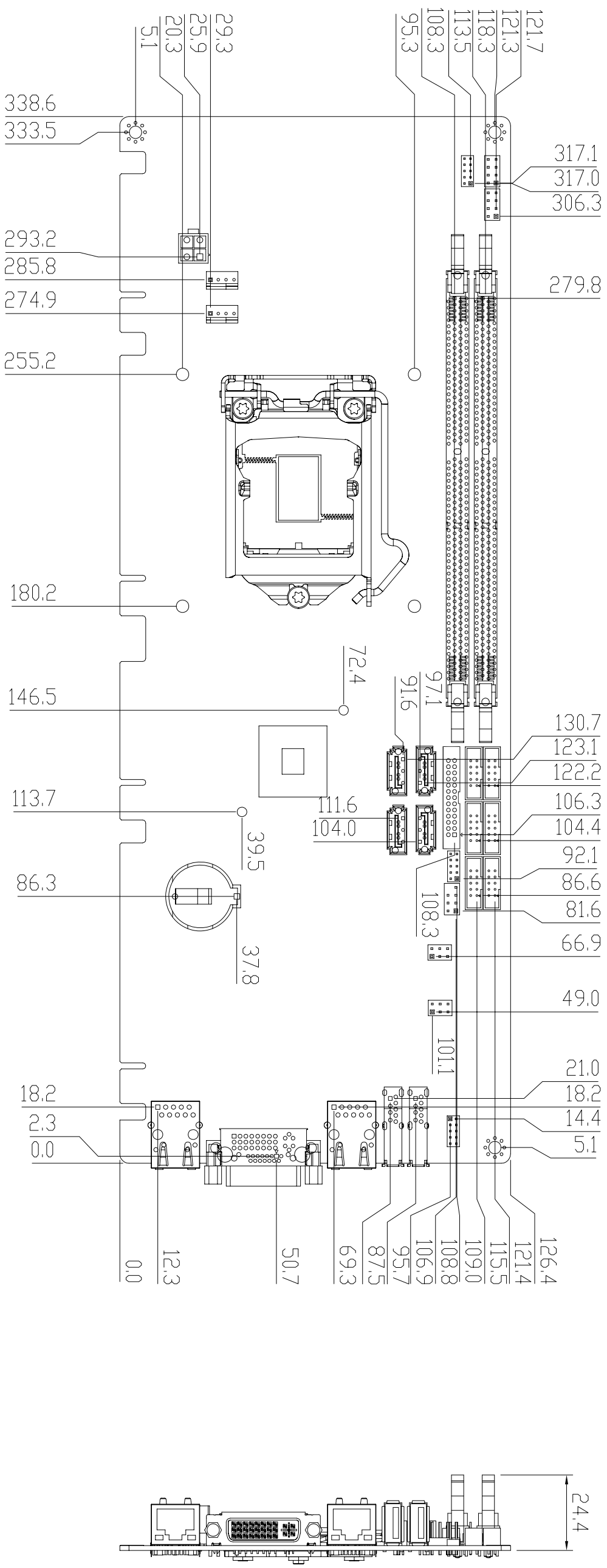
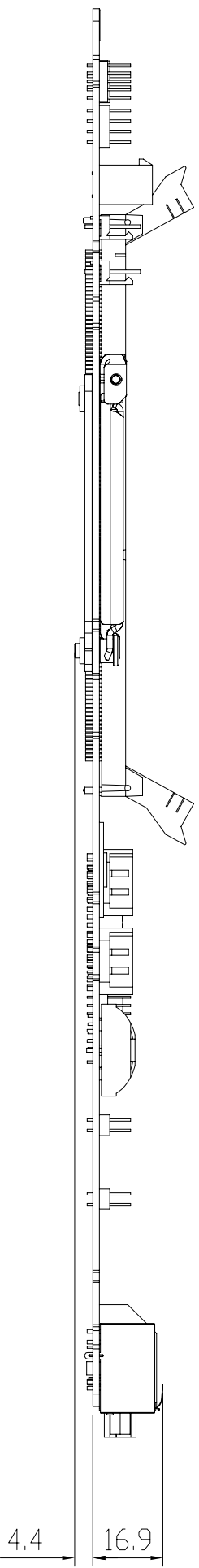


| ITEM | DATE | REMARK | DESIGNED | APPROVED |
|------|------|--------|----------|----------|
| 1 | | | | |
| 2 | | | | |
| 3 | | | | |

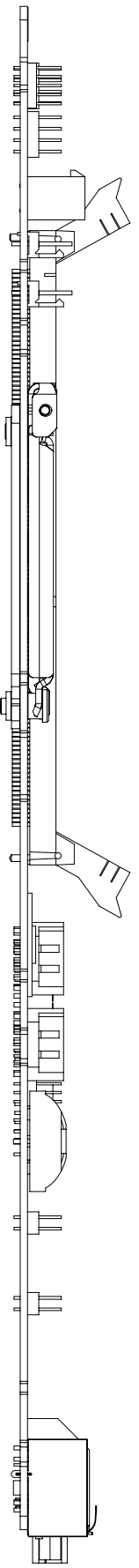
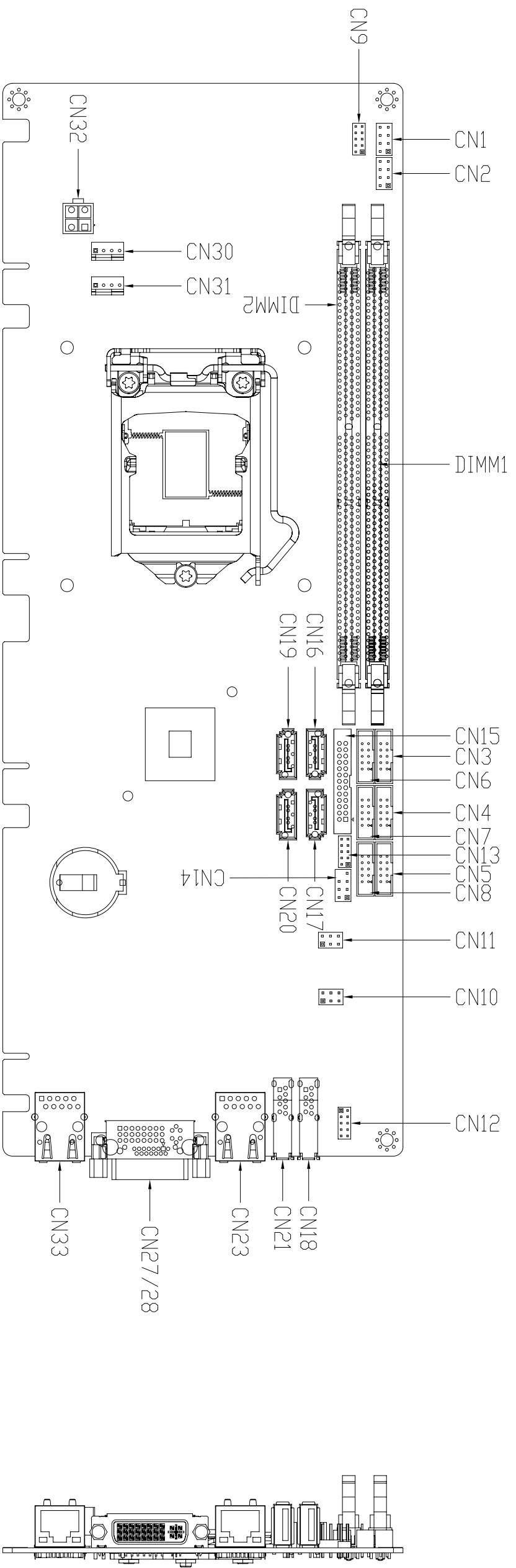


NOTE:
The Height of Cooling System Depends on Customer Cooling Device



| | | | | |
|--------------|-------------------|---------------------|--|--------------------|
| GENERAL TOL. | MATERIAL: PCB=1.6 | PART No. 9697H81H00 | AEON An ALUS Company Technology Inc. | |
| >0 ±0.1 | SPEC.: N/A | DWG No. 9697H81H00 | NAME Mechanical_Drawing | MODEL No. FSB-H81H |
| >10 ±0.2 | FINISH: N/A | APPROVED | DESIGNED | REV. 0.0 |
| >50 ±0.3 | UNIT: MM | CHECKED | Shiny | SHEET: 1 / 2 |
| >200 ±0.5 | SCALE: 1:1 | TonyL | 103/07/29 | |
| >500 ±0.8 | ANGLE TOL. ±0.5° | | | |

| ITEM | DATE | REMARK | DESIGNED | APPROVED |
|------|------|--------|----------|----------|
| 1 | | | | |
| 2 | | | | |
| 3 | | | | |



NOTE:
The Height of Cooling System Depends on Customer Cooling Device

| | | | | | |
|---|-------------------|---------------------|-----------|----------|--------------|
| GENERAL TOL. | MATERIAL: PCB=1.6 | PART No. 9697H81H00 | | | |
| >0 ±0.1 >10 ±0.2 >50 ±0.3 >200 ±0.5 >500 ±0.8 | SPEC.: N/A | DWG No. 9697H81H00 | | | |
| ANGLE TOL. ±0.5° | FINISH: N/A | APPROVED CHECKED | DESIGNED | | |
| | UNIT: MM | TonyL | Shiny | | |
| | SCALE: 1:1 | 103/07/29 | 103/07/29 | REV. 0.0 | SHEET: 2 / 2 |

MEON
An **ASUS** Company
Technology Inc.

NAME Mechanical_Drawing

MODEL No. FSB-H81H