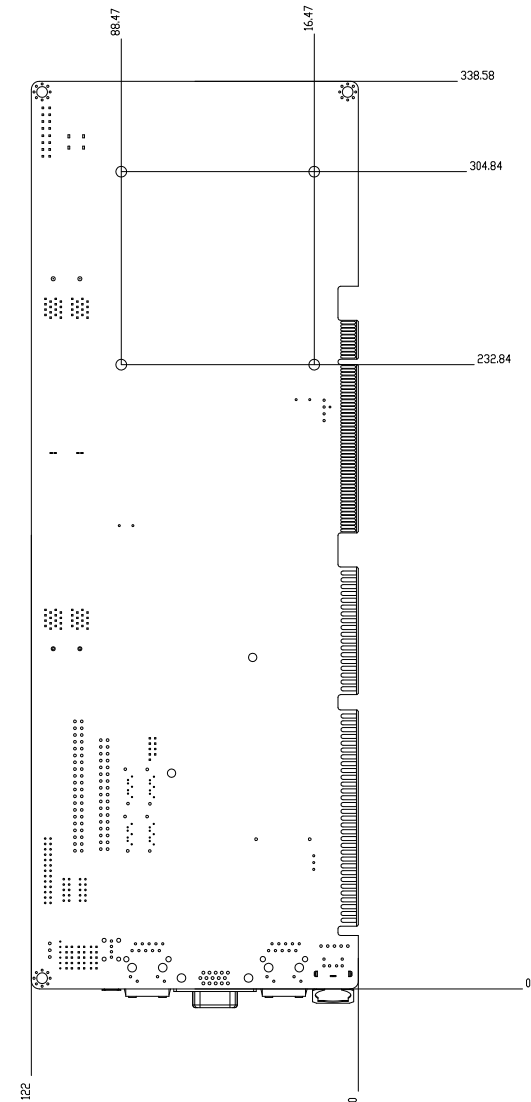
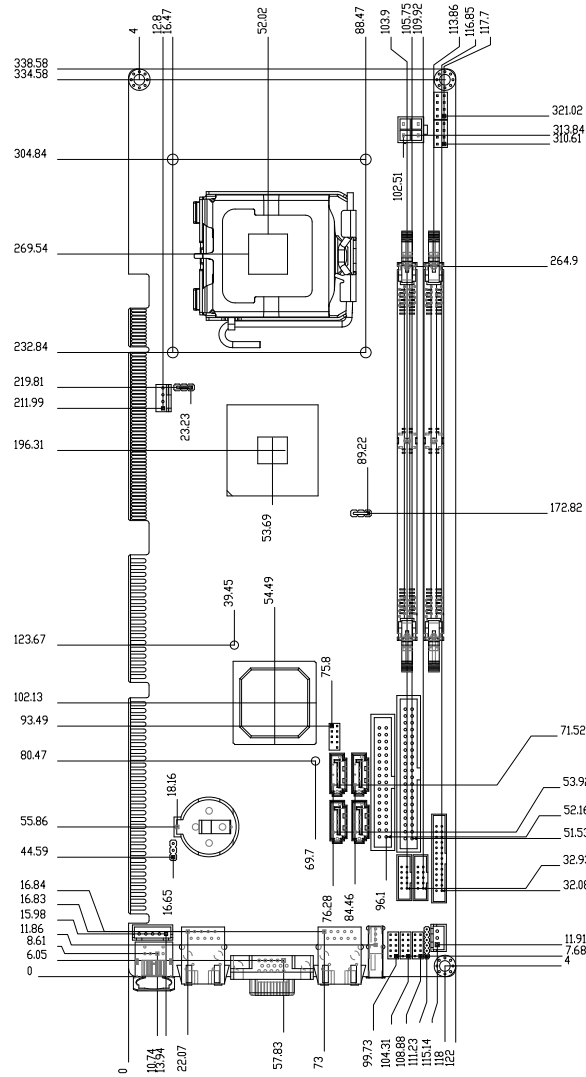


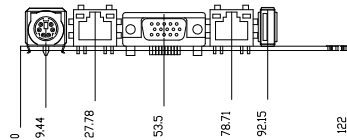
AAEON FSB-945G A1.0 Mechanical Drawing_DIM


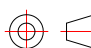
ITEM	DATE	REMARK	DESIGNED	APPROVED
1				
2				
3				



NOTE

The Height of Cooling System Depends on Customer Cooling Device



GENERAL TOL.	MATERIAL: *****	PART NO:	FSB-945G		 研揚科技股份有限公司
>0 ±0.1	SPEC: *****	DWG NO:	FSB-945G		
>10 ±0.2	FINISH: *****	APPROVED	CHECKED	DESIGNED	NAME: HALF_BOARD
>50 ±0.3	UNIT: MM		VINCENT	TB	MODEL NO: FSB-945G
>200 ±0.5	SCALE: 1:100		27-Mar-09	27-Mar-09	REV. 1.0 SHEET: 1/1
>500 ±0.8					
ANGLE TOL.					
±0.5°					