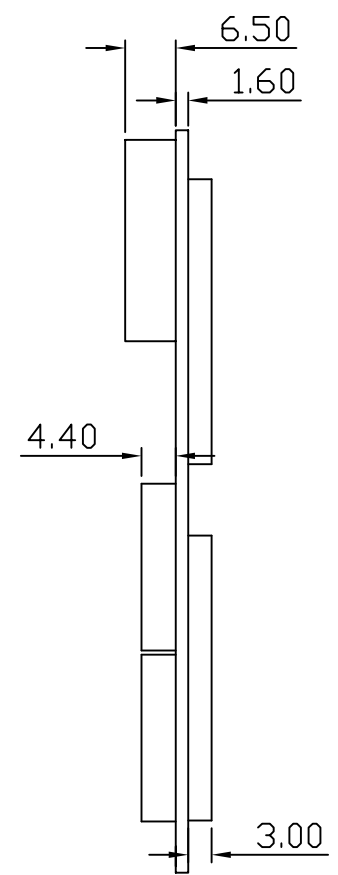
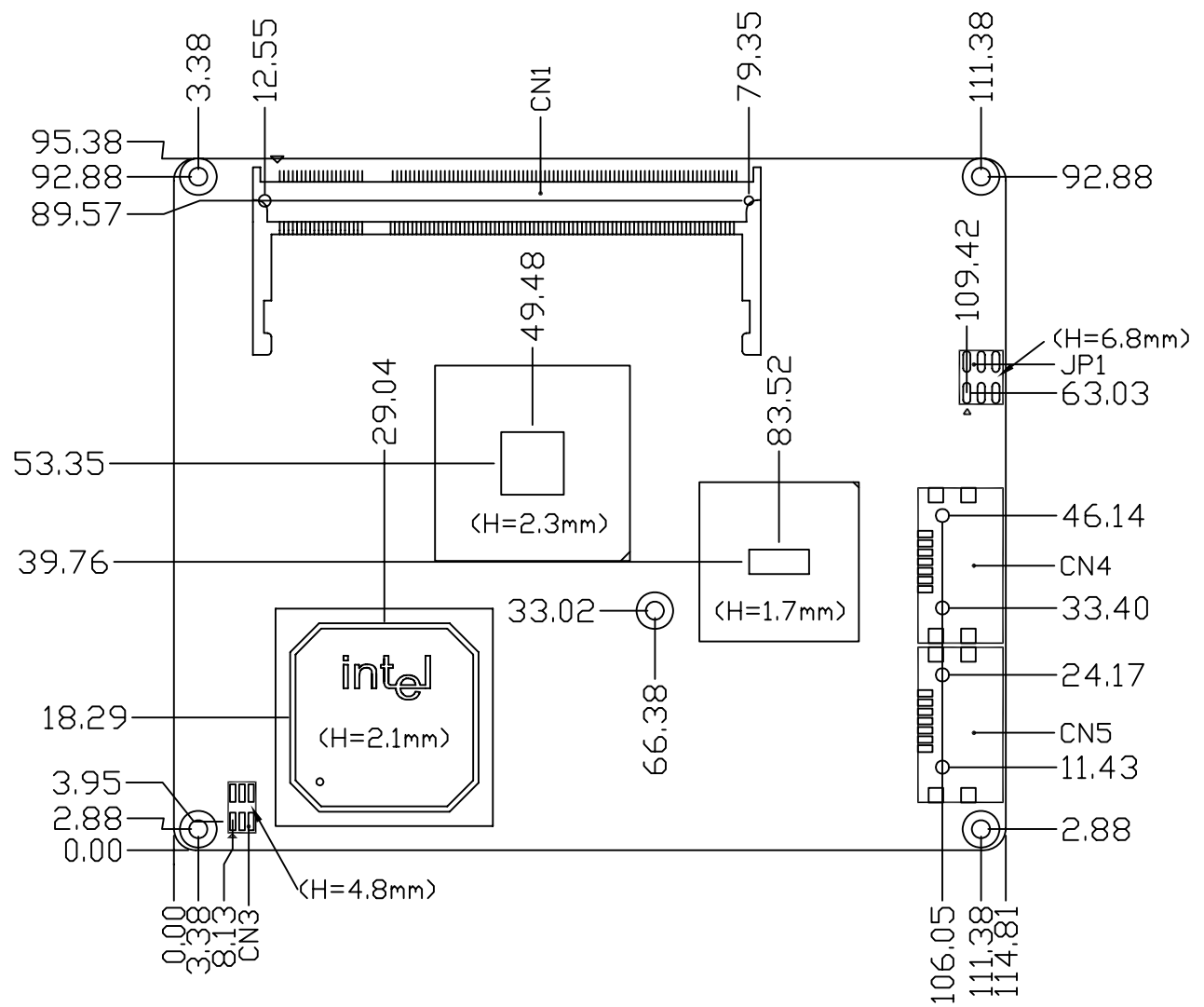


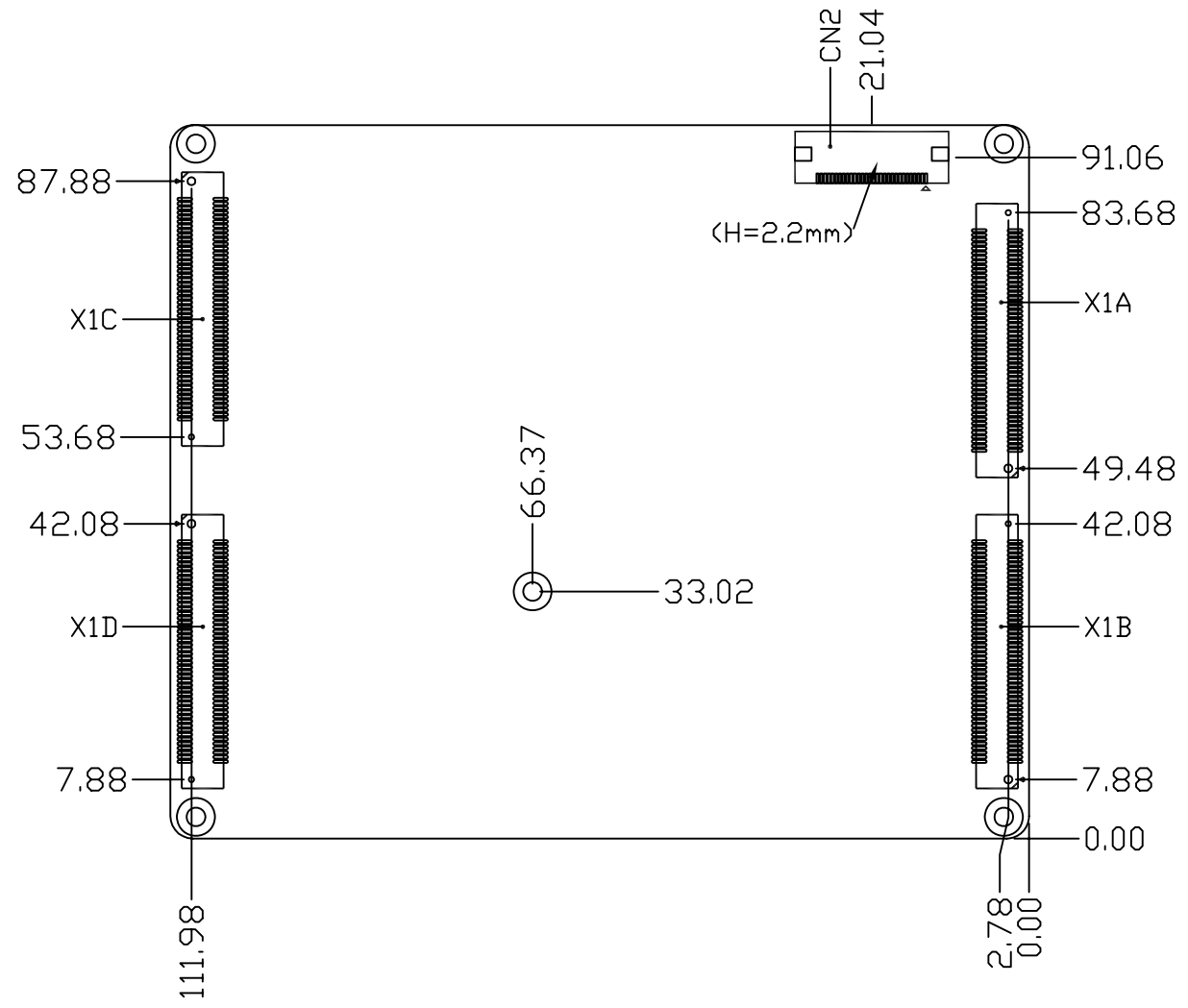
ITEM	DATE	REMARK	DESIGNED	APPROVED
1				
2				
3				



NOTE:
The Height of Cooling System Depends on Customer Cooling Device.

GENERAL TOL. >0 ±0.1 >10 ±0.2 >50 ±0.3 >200 ±0.5 >500 ±0.8	MATERIAL: PCB SPEC.: T=1.6mm FINISH: **** UNIT: MM	PART No. 1907X94522 DWG No. 1907X94522 APPROVED	 研揚科技股份有限公司 NAME TOP CN&DIM MODEL No. ETX-945GSE REV. A1.0	
ANGLE TOL. ±0.5°	SCALE: 1/1	 WAYNE 09/11/03	 ERIC 09/11/03	SHEET: 1 / 2

ITEM	DATE	REMARK	DESIGNED	APPROVED
1				
2				
3				



NOTE:
The Height of Cooling System Depends on Customer Cooling Device.

GENERAL TOL. >0 ±0.1 >10 ±0.2 >50 ±0.3 >200 ±0.5 >500 ±0.8	MATERIAL: PCB SPEC.: T=1.6mm	PART No. 1907X94522 DWG No. 1907X94522	AAEON Technology Inc. 研揚科技股份有限公司	
FINISH: ****	APPROVED	CHECKED	DESIGNED	NAME BOTTOM CN&DIM
UNIT: MM		WAYNE	ERIC	MODEL No. ETX-945GSE
ANGLE TOL. ±0.5°	SCALE: 1/1		09/11/03	09/11/03
			REV. A1.0	SHEET: 2 / 2