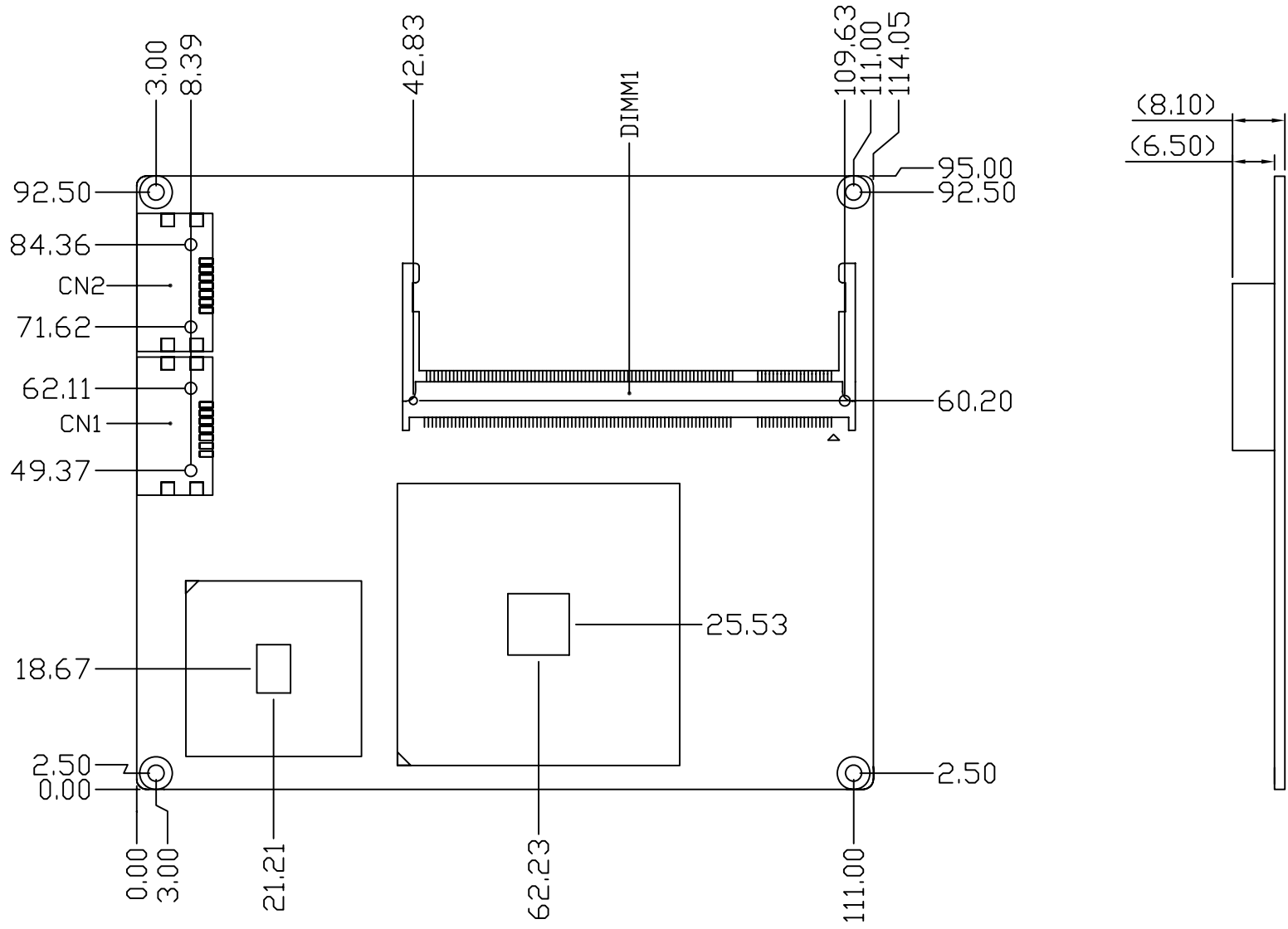


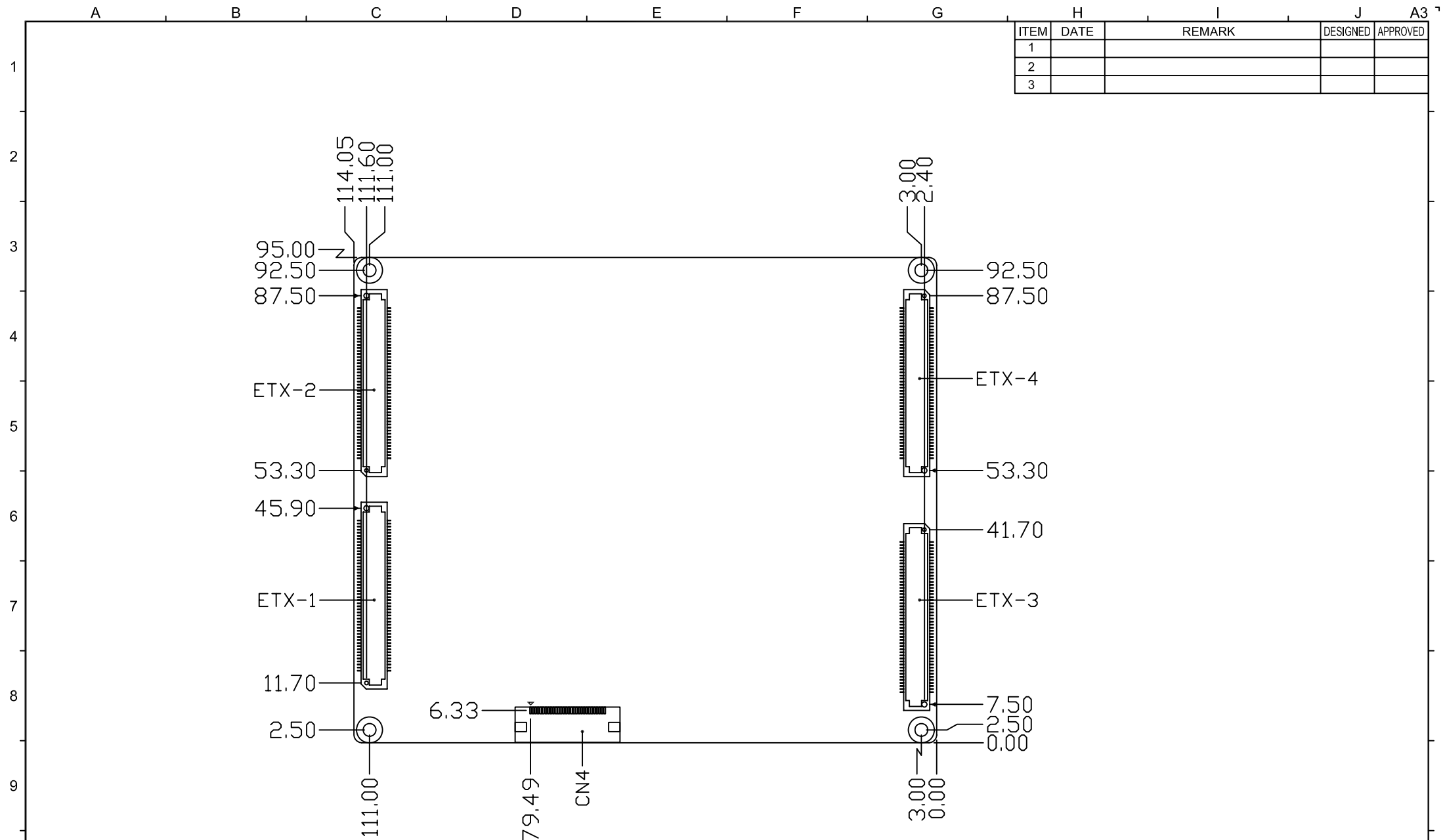
ITEM	DATE	REMARK	DESIGNED	APPROVED
1				
2				
3				



NOTE:
The Height of Cooling System Depends on Customer Cooling Device.

GENERAL TOL. >0 ±0.1 >10 ±0.2 >50 ±0.3 >200 ±0.5 >500 ±0.8	MATERIAL: PCB SPEC.: T=1.6mm FINISH: **** UNIT: MM SCALE: 1/1	PART No. 1907C70003 DWG No. 1907C70003 APPROVED TRISTAN 09/04/28	CHECKED ERIC 09/04/28	DESIGNED ERIC 09/04/28	AAEON Technology Inc. 研揚科技股份有限公司 NAME TOP CN&DIM MODEL No. ETX-CX700M REV. A1.0 SHEET: 1 / 2
---	---	--	-----------------------------	------------------------------	---

ITEM	DATE	REMARK	DESIGNED	APPROVED
1				
2				
3				



NOTE:
The Height of Cooling System Depends on Customer Cooling Device.

GENERAL TOL. >0 ±0.1 >10 ±0.2 >50 ±0.3 >200 ±0.5 >500 ±0.8	MATERIAL: PCB	PART No. 1907C70003			AAEON Technology Inc. 研揚科技股份有限公司	
	SPEC.: T=1.6mm	DWG No. 1907C70003				
ANGLE TOL. ±0.5°	FINISH: ****	APPROVED	CHECKED	DESIGNED	NAME BOTTOM CN&DIM	
	UNIT: MM		TRISTAN	ERIC	MODEL No. ETX-CX700M	
SCALE: 1/1			09/04/28	09/04/28	REV. A1.0	SHEET: 2 / 2