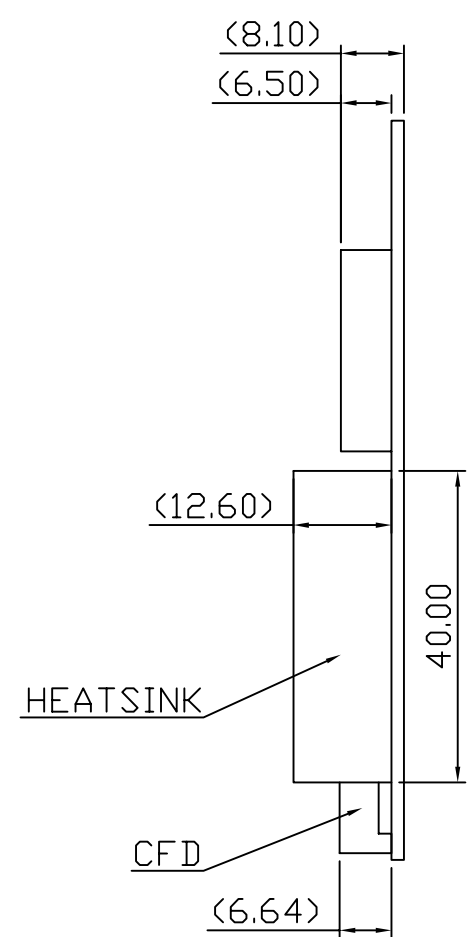
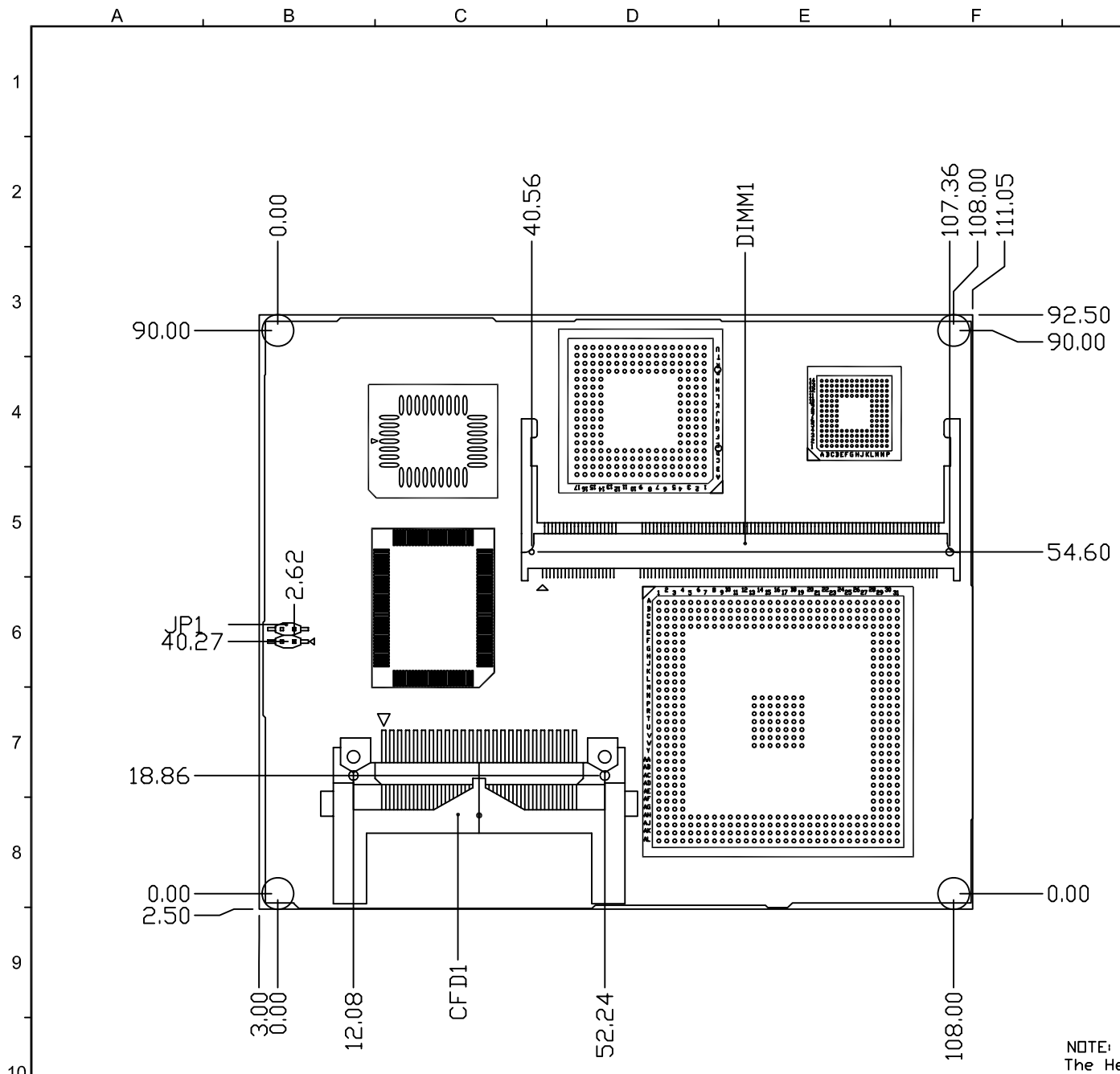


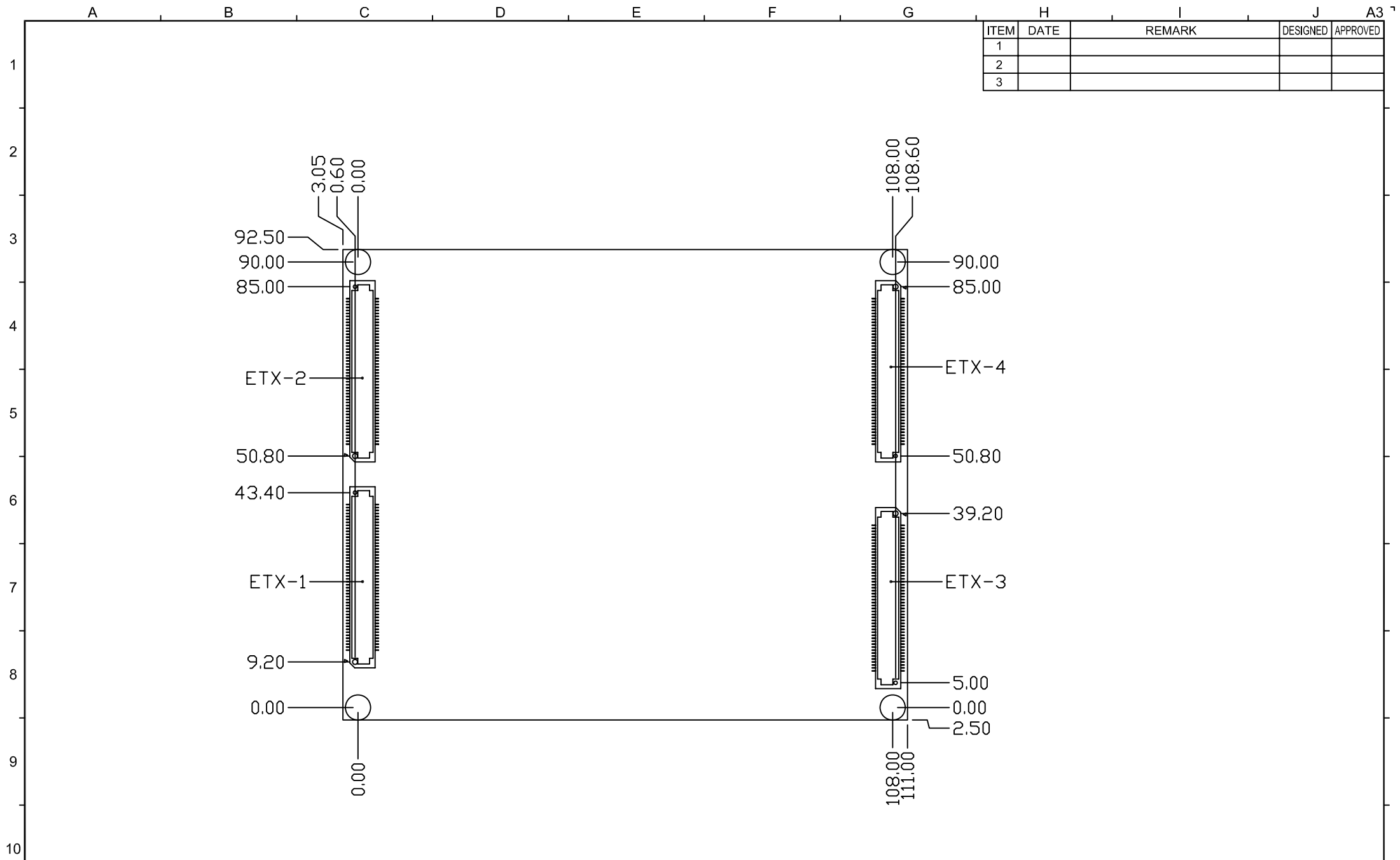
ITEM	DATE	REMARK	DESIGNED	APPROVED
1				
2				
3				



NOTE:
The Height of Cooling System Depends on Customer Cooling Device.

GENERAL TOL. >0 ±0.1 >10 ±0.2 >50 ±0.3 >200 ±0.5 >500 ±0.8 ANGLE TOL. ±0.5°	MATERIAL: ****	PART No. 1907700004			AAEON Technology Inc. 研揚科技股份有限公司	
	SPEC.: T=1.6mm	DWG No. 1907700004				
	FINISH: ****	APPROVED	CHECKED	DESIGNED	NAME TOP CN&DIM	
	UNIT: MM		WAYNE	ERICHUNG	MODEL No. ETX-700	
	SCALE: 1/1		07/07/25	07/07/25	REV. B0.1	SHEET: 1 / 2

ITEM	DATE	REMARK	DESIGNED	APPROVED
1				
2				
3				



GENERAL TOL. >0 ±0.1 >10 ±0.2 >50 ±0.3 >200 ±0.5 >500 ±0.8	MATERIAL: ****	PART No. 1907700004			AAEON Technology Inc. 研揚科技股份有限公司	
	SPEC.: T=1.6mm	DWG No. 1907700004			NAME BOTTOM CN&DIM	
	FINISH: ****	APPROVED	CHECKED	DESIGNED	MODEL No. ETX-700	
ANGLE TOL. ±0.5°	UNIT: MM	WAYNE		ERICHUNG	REV. B0.1	SHEET: 2 / 2
	SCALE: 1/1	07/07/25		07/07/25		