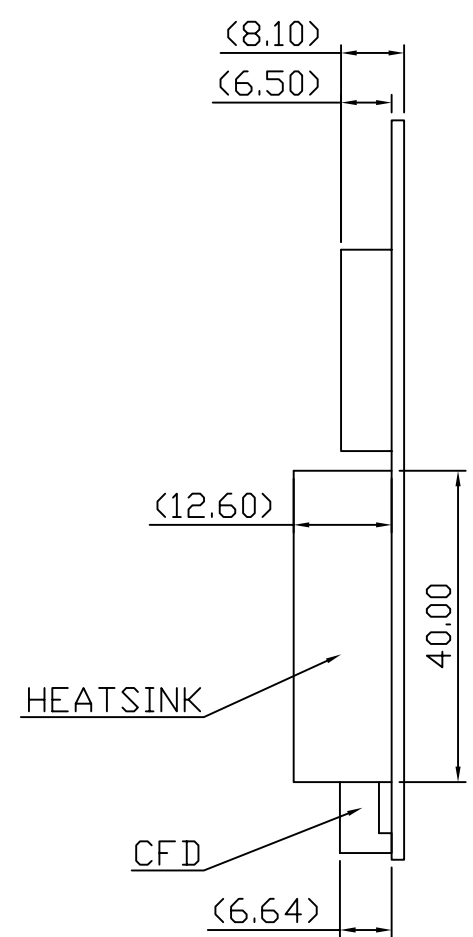
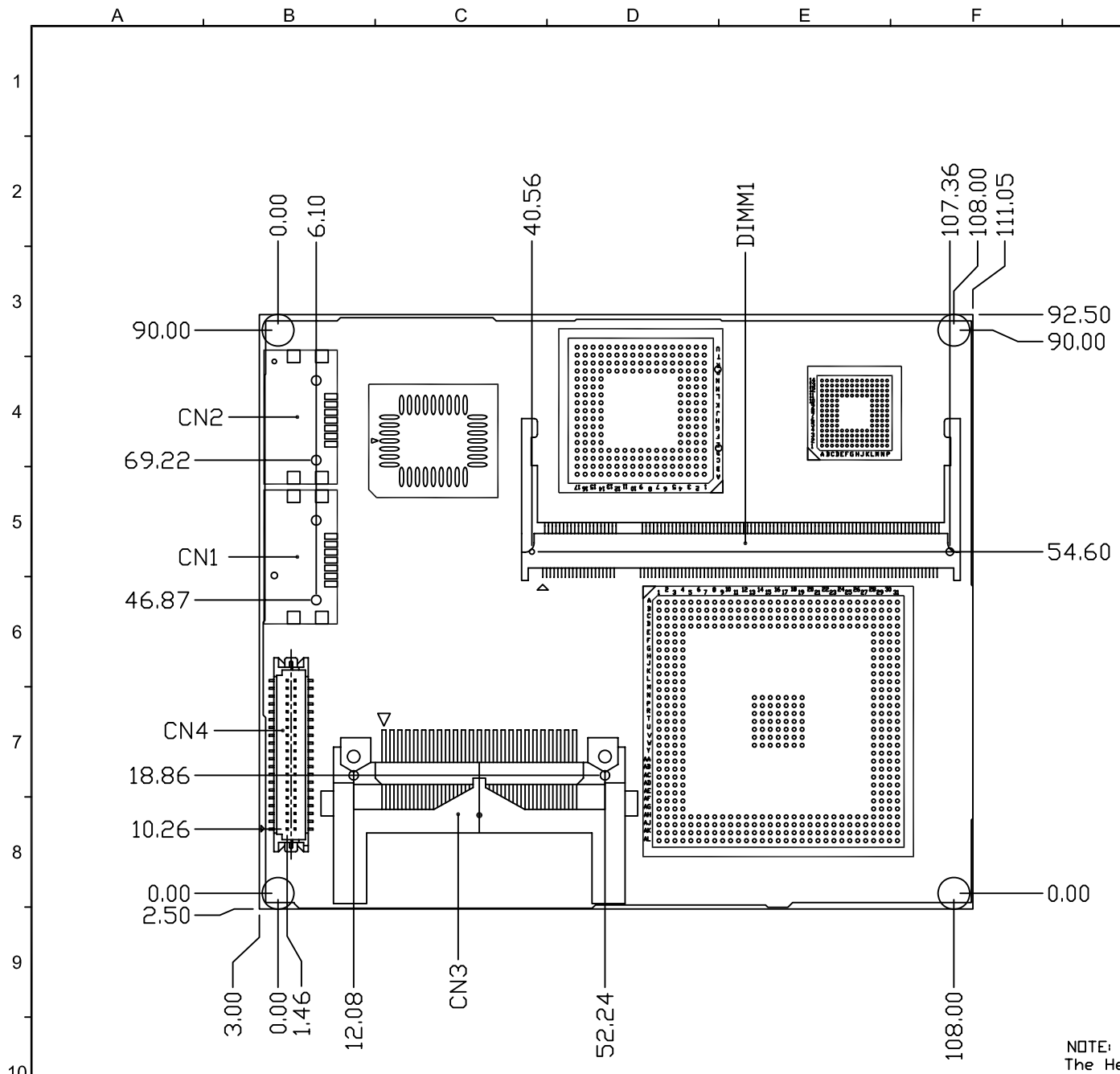


ITEM	DATE	REMARK	DESIGNED	APPROVED
1				
2				
3				



NOTE:  
The Height of Cooling System Depends on Customer Cooling Device.

GENERAL TOL. >0 ±0.1 >10 ±0.2 >50 ±0.3 >200 ±0.5 >500 ±0.8 ANGLE TOL. ±0.5°	MATERIAL:	PART No. 1907700002			<b>AAEON</b> Technology Inc. 研揚科技股份有限公司	
	SPEC.:	DWG No. 1907700002				
	FINISH:	APPROVED	CHECKED	DESIGNED	NAME TOP CN&DIM	
	UNIT: MM	WAYNE	ERICHUNG	MODEL No. ETX-700		
SCALE: 1/1	07/04/17	07/04/17	REV. A0.3	SHEET: 1 / 1		