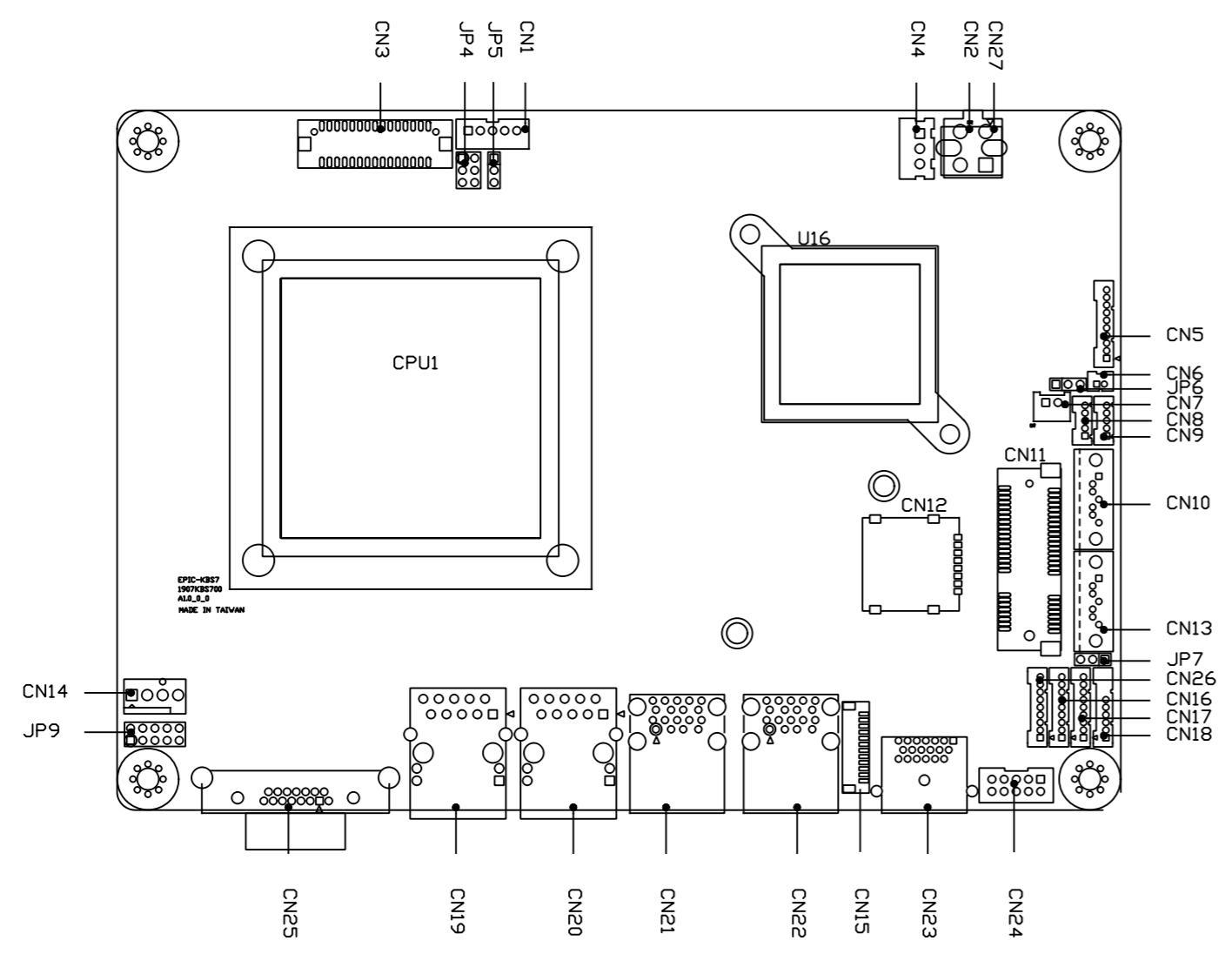
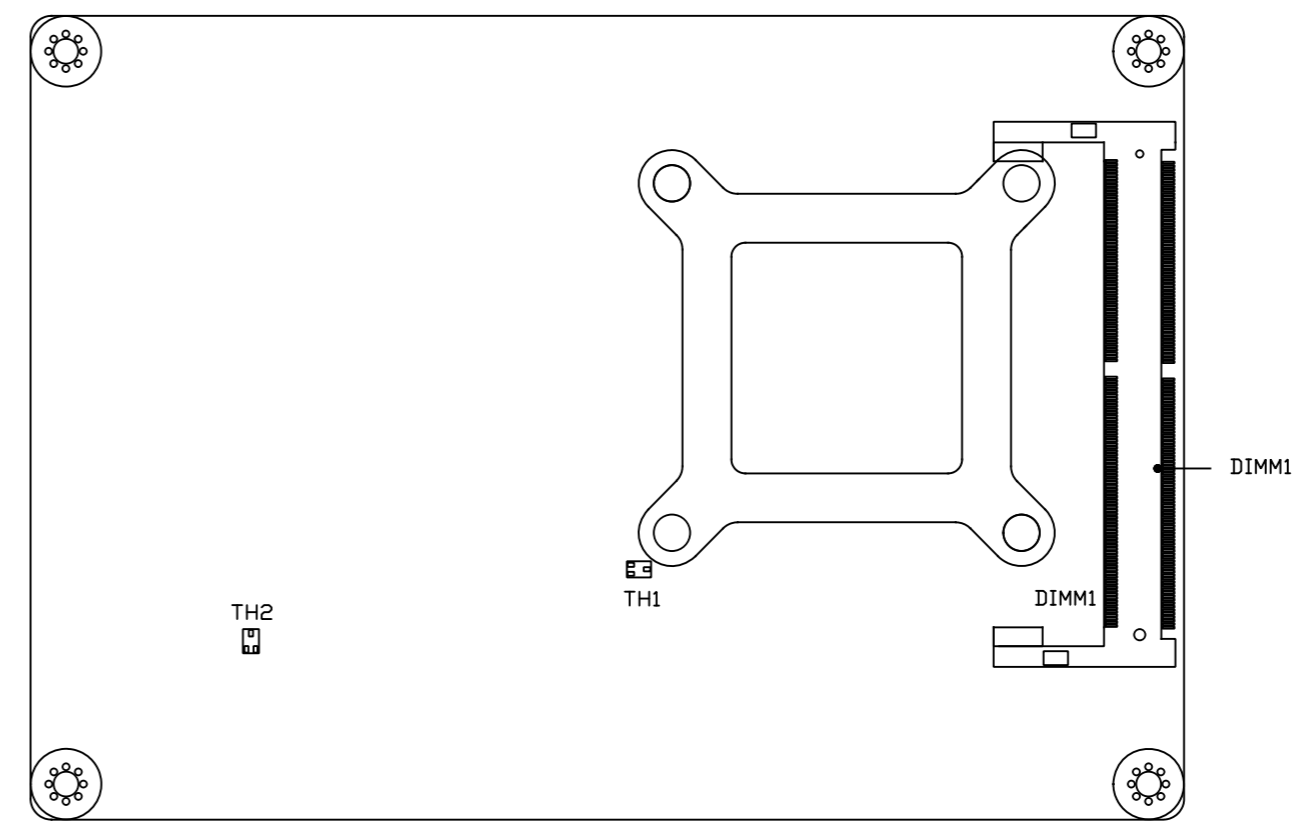


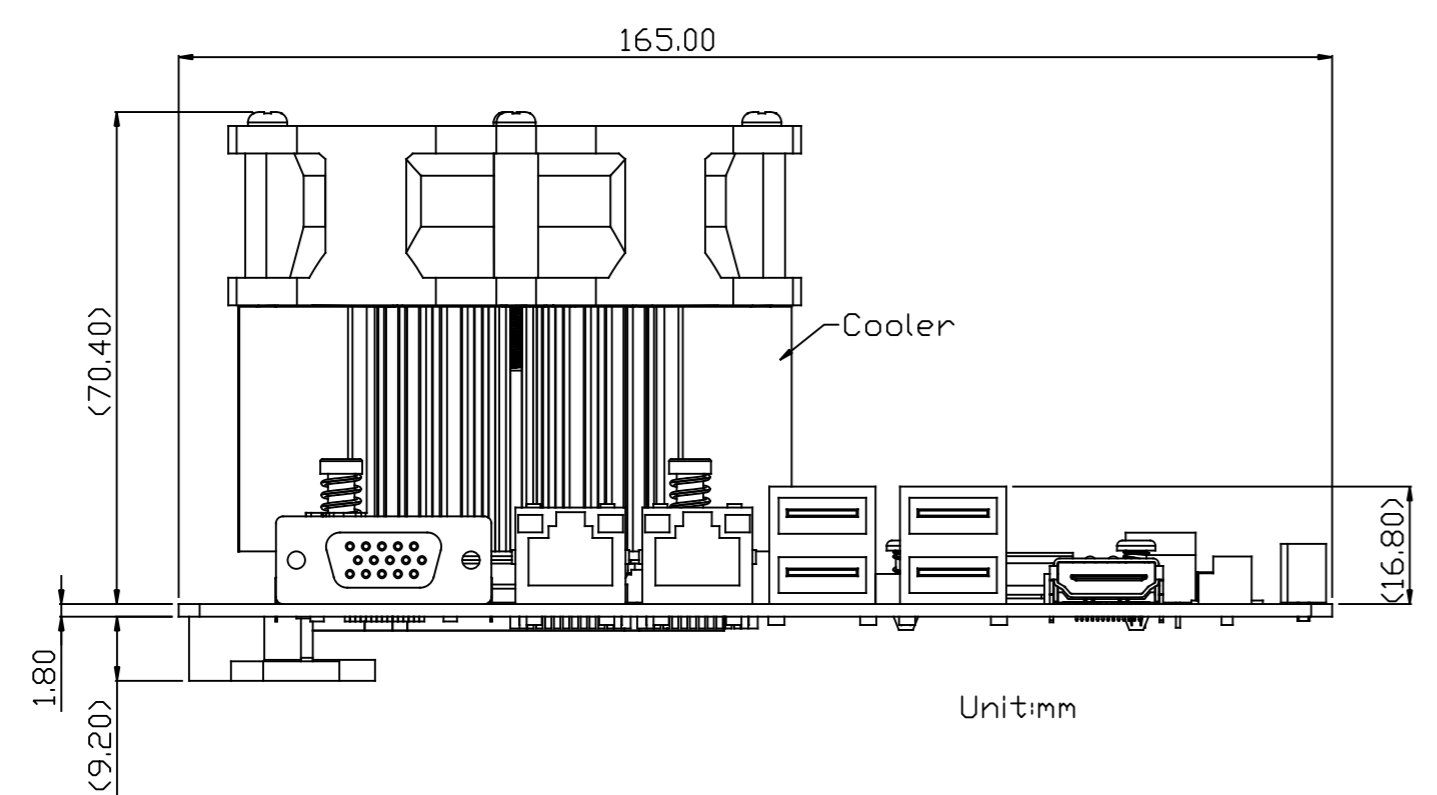
ITEM	DATE	REMARK	DESIGNED	APPROVED
1				
2				
3				


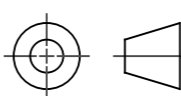
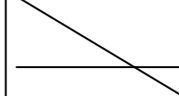
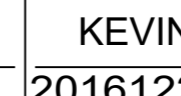
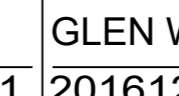


Component Side

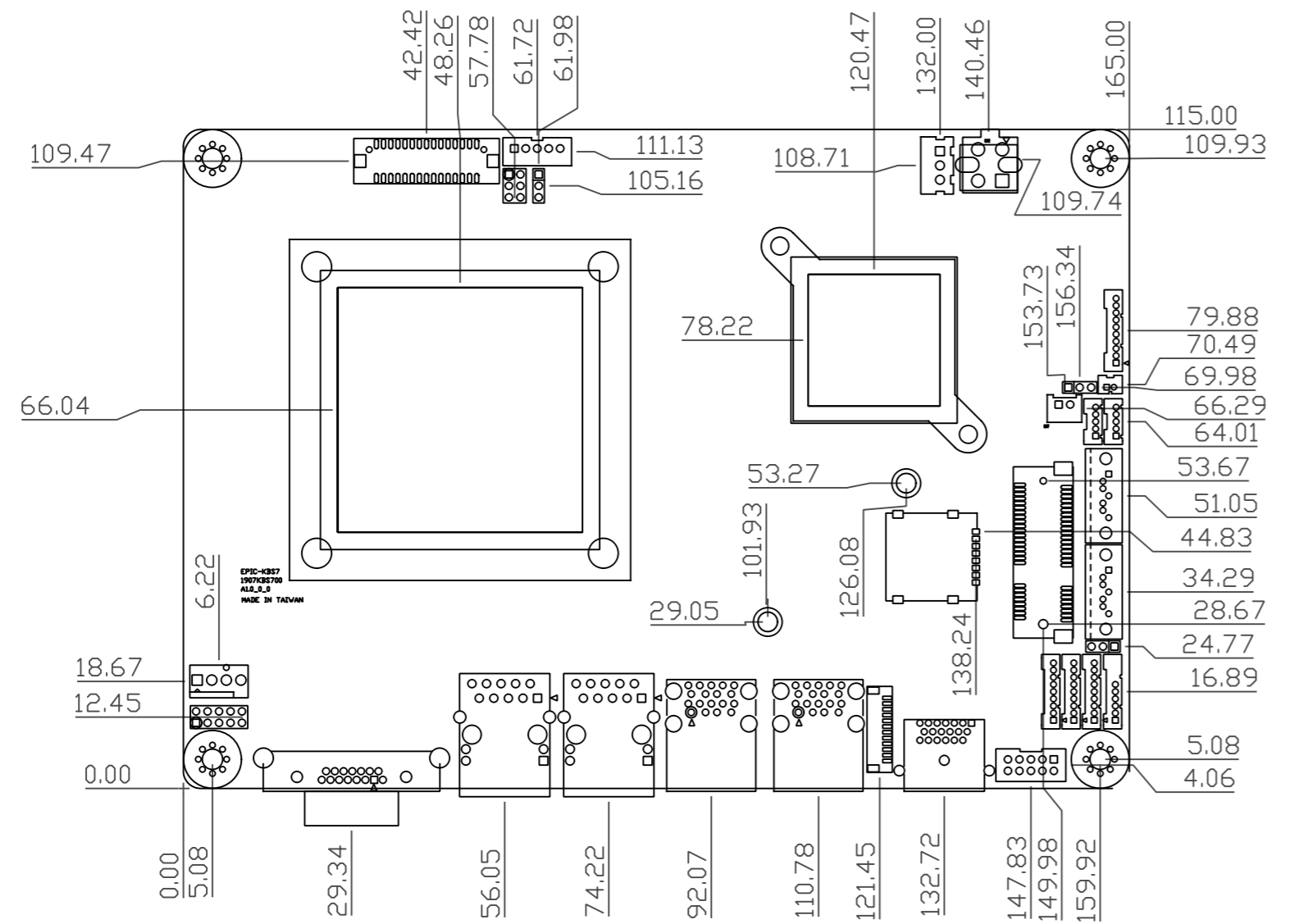


Solder Side

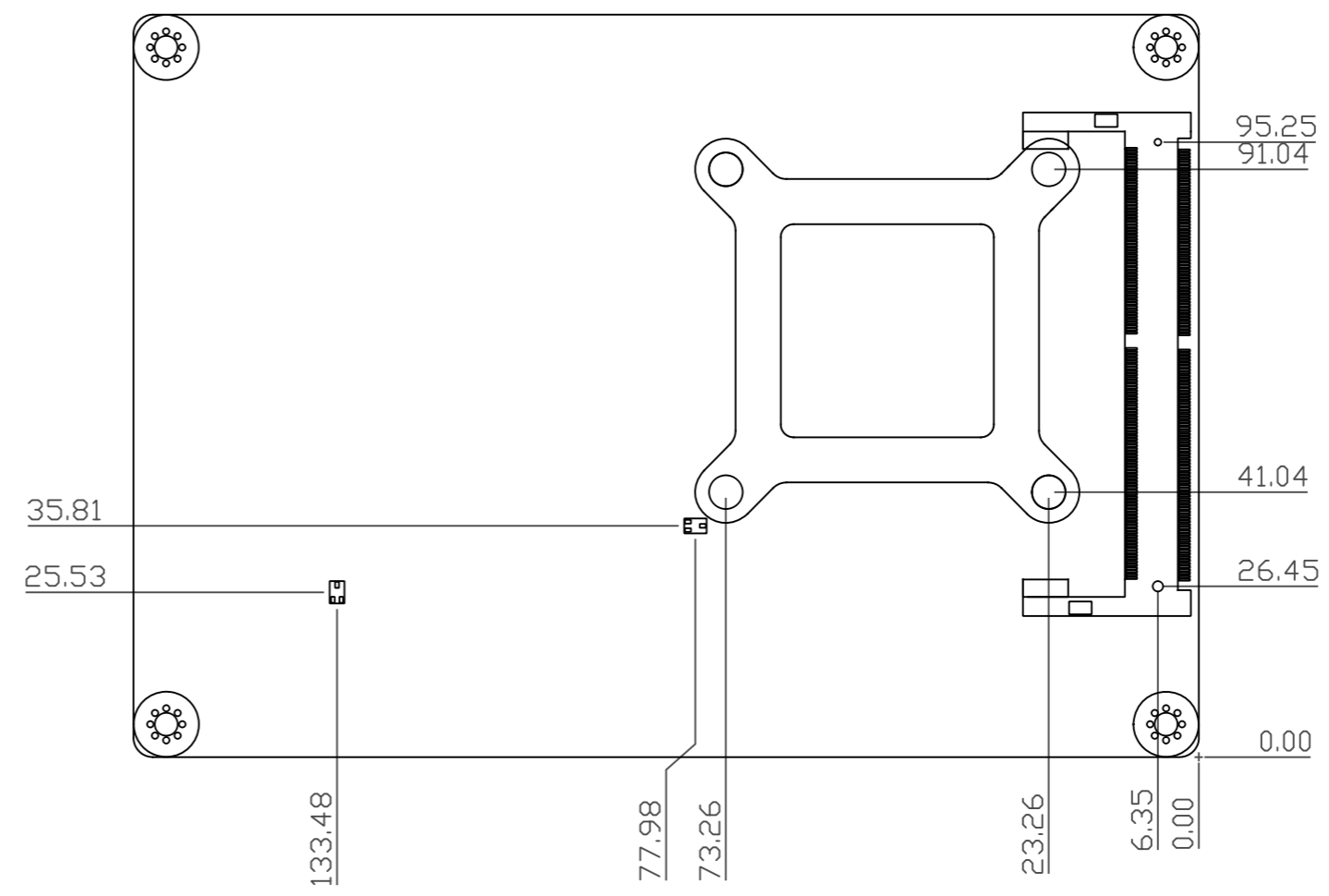


<b>GENERAL TOL.</b> >0 ±0.1 >10 ±0.2 >50 ±0.3 >200 ±0.5 >500 ±0.8 <b>ANGLE TOL.</b> ±0.5°	MATERIAL: PCB	PART No. 1907KBS700		 <b>AEEON</b> ® Technology Inc. An ASUS Company			
	SPEC.: t=1.8mm	DWG No. 1907KBS700					
	FINISH: NA	APPROVED	CHECKED	DESIGNED	NAME PCB Drawing		
	UNIT: MM	SCALE: 1:1					
				KEVIN 20161221	GLEN WEN 20161221	MODEL No. EPIC-KBS7 REV. 1.0	SHEET: 1 / 1

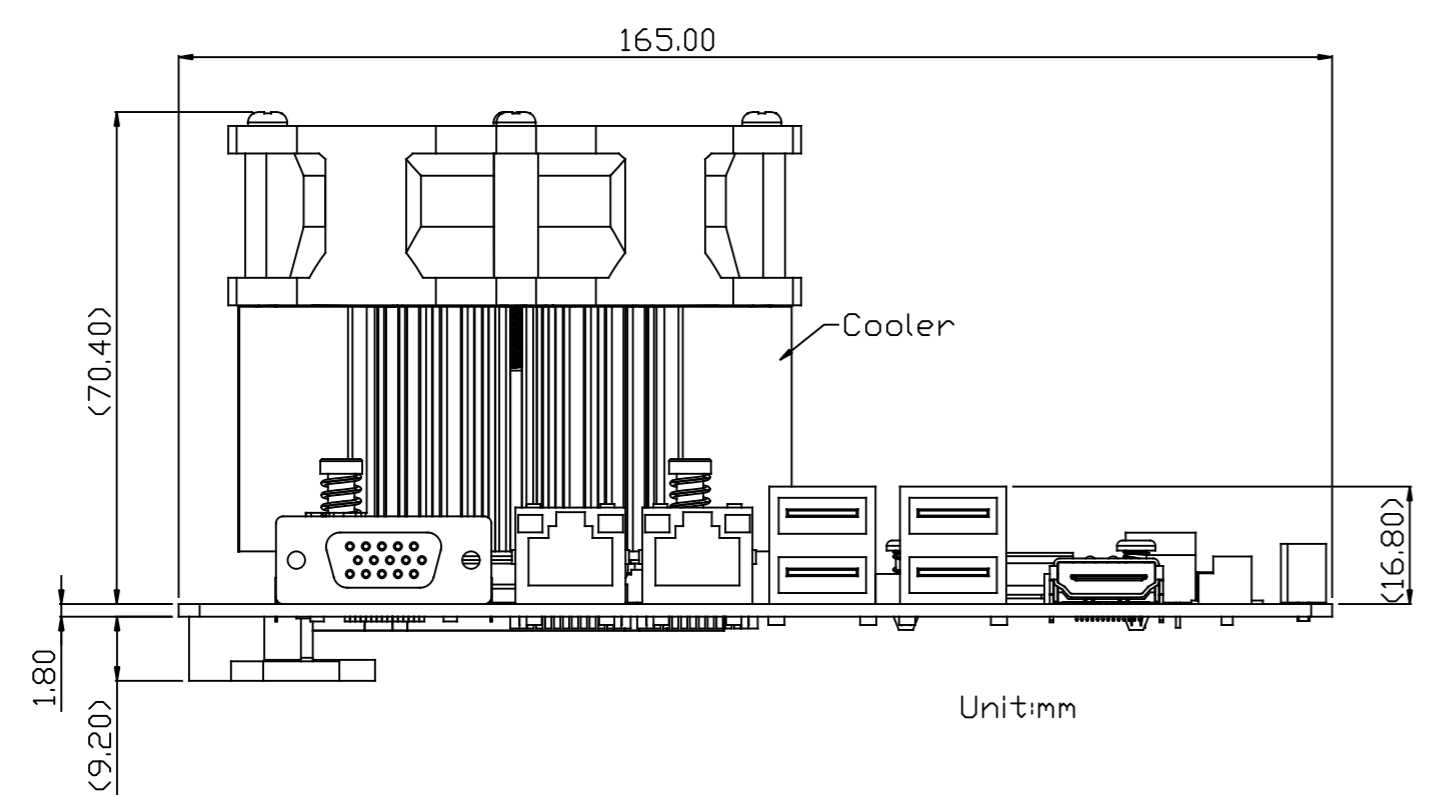
ITEM	DATE	REMARK	DESIGNED	APPROVED
1				
2				
3				



Component Side



Solder Side



- 量測時請注意:
1. 重點尺寸記號\* 為必檢測尺寸
  2. 未標示之圓角均為: R2.
  3. 外觀烤漆顏色: 噴銀漆
  4. 烤漆圖請參照烤漆示意圖

GENERAL TOL. >0 ±0.1 >10 ±0.2 >50 ±0.3 >200 ±0.5 >500 ±0.8	MATERIAL: PCB	PART No. 1907KBS700			<b>AEEON</b> <sup>®</sup> Technology Inc. <i>An ASUS Company</i>
	SPEC.: t=1.8mm	DWG No. 1907KBS700			
ANGLE TOL. ±0.5°	FINISH: NA	APPROVED	CHECKED	DESIGNED	NAME PCB Drawing
	UNIT: MM	SCALE: 1:1	KEVIN	GLEN WEN	MODEL No. EPIC-KBS7
			20161221	20161221	REV. 1.0