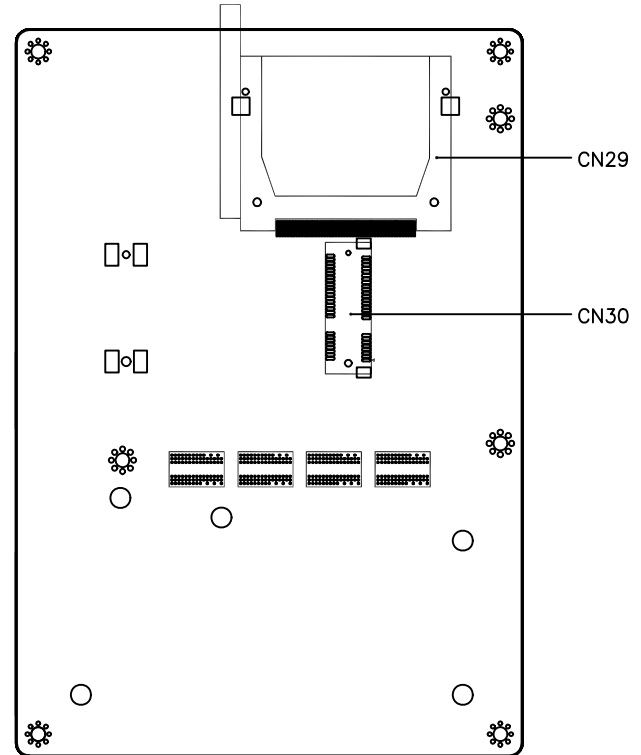
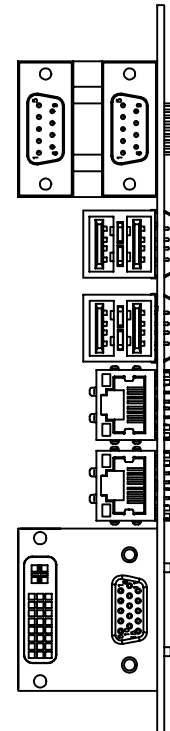
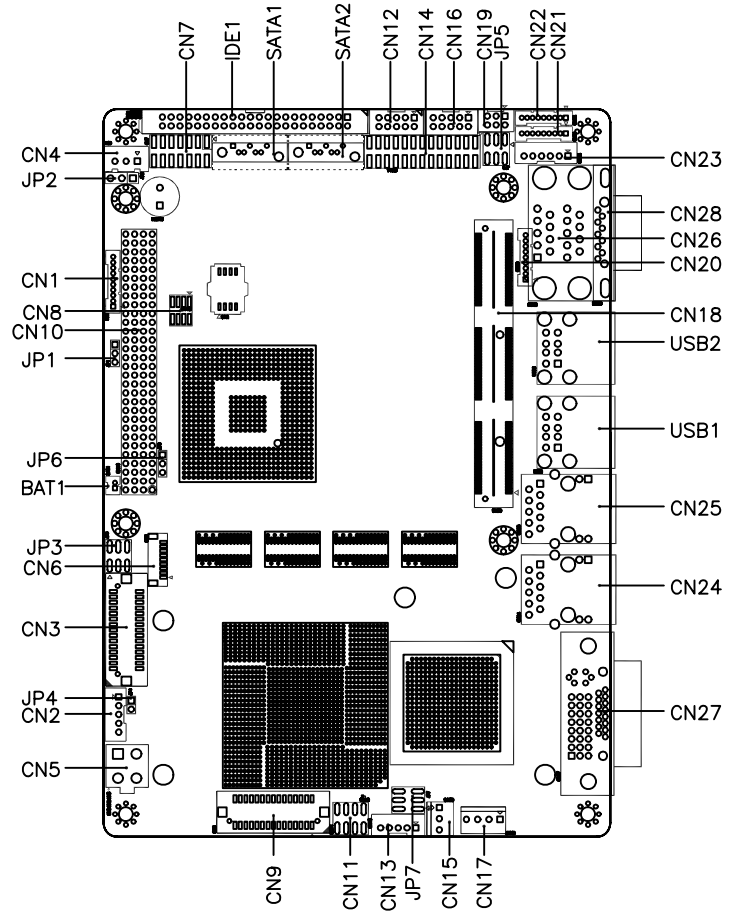


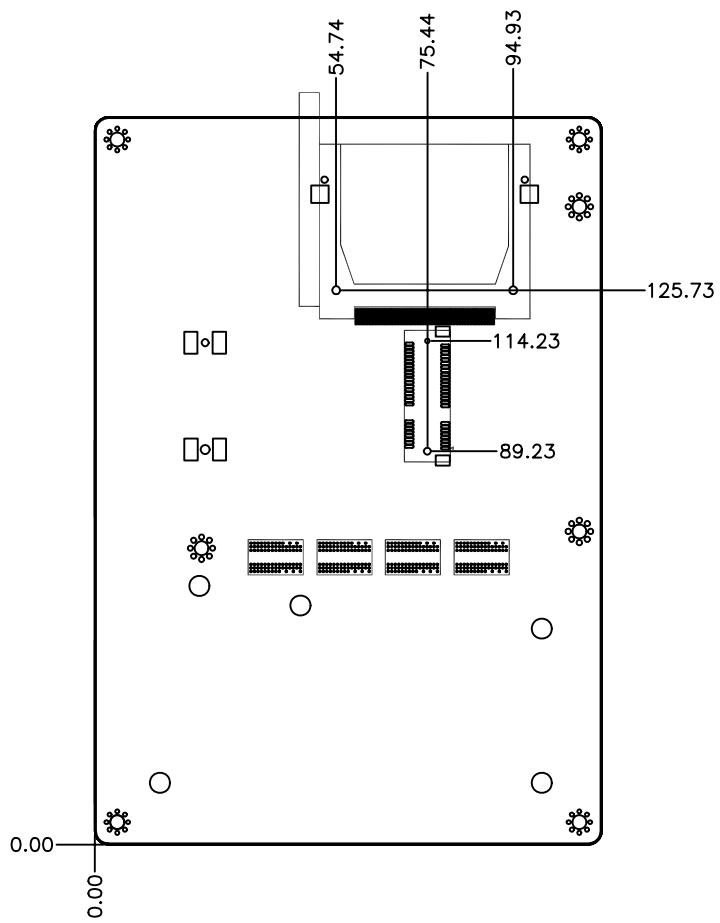
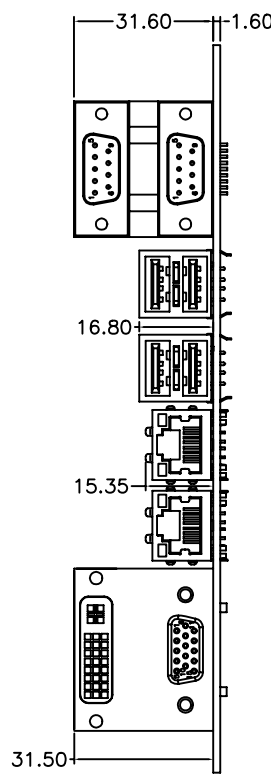
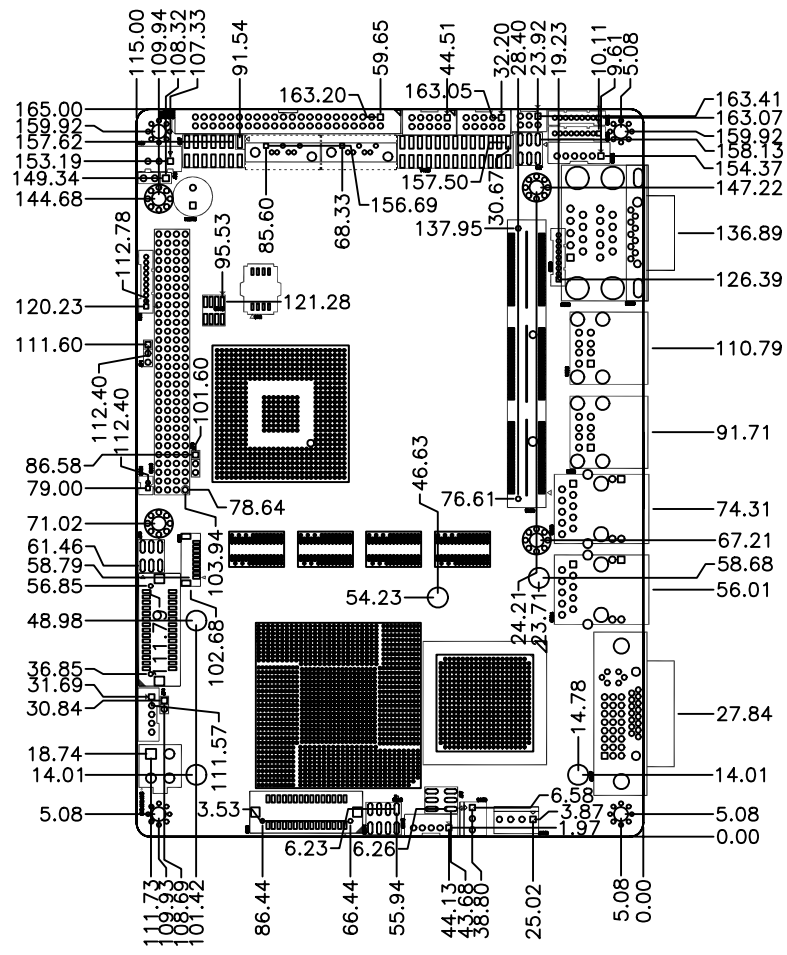
ITEM	DATE	REMARK	DESIGNED	APPROVED
1				
2				
3				



NOTE:
The Height of Cooling System Depends on Customer Cooling Device.

GENERAL TOL. >0 ±0.1 >10 ±0.2 >50 ±0.3 >200 ±0.5 >500 ±0.8 ANGLE TOL. ±0.5°	MATERIAL: PCB	PART No. 1907945712			AAEON Technology Inc. 研揚科技股份有限公司 NAME CN&DIM-DRAWING
	SPEC.: T=1.6	DWG No. 1907945712			
	FINISH: NA	APPROVED	CHECKED	DESIGNED	MODEL No. EPIC-9457
	UNIT: MM	SCALE: 1/1	WAYNE	JIMMY	REV. B1.0

ITEM	DATE	REMARK	DESIGNED	APPROVED
1				
2				
3				



NOTE:
The Height of Cooling System Depends on Customer Cooling Device.

GENERAL TOL. >0 ±0.1 >10 ±0.2 >50 ±0.3 >200 ±0.5 >500 ±0.8 ANGLE TOL. ±0.5°	MATERIAL: PCB	PART No. 1907945712		AEEON Technology Inc. 研揚科技股份有限公司 NAME CN&DIM-DRAWING	
	SPEC.: T=1.6	DWG No. 1907945712			
	FINISH: NA	APPROVED	CHECKED	DESIGNED	MODEL No. EPIC-9457
	UNIT: MM	SCALE: 1/1	WAYNE	JIMMY	REV. B1.0