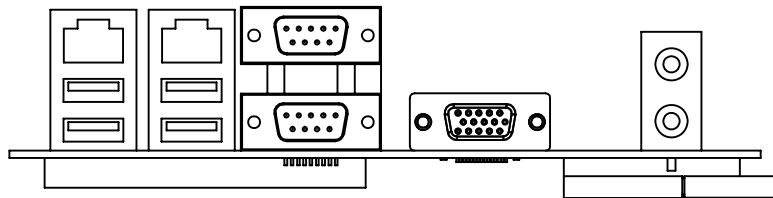
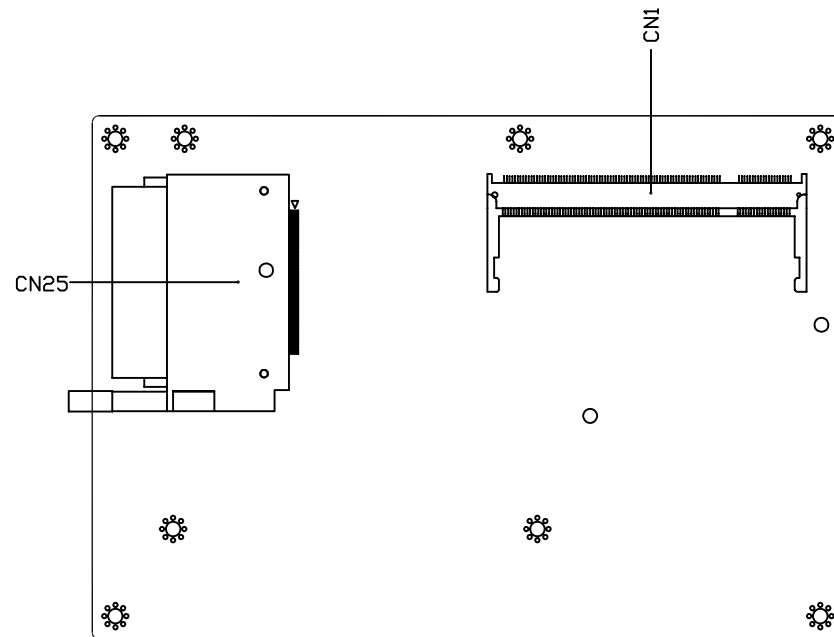
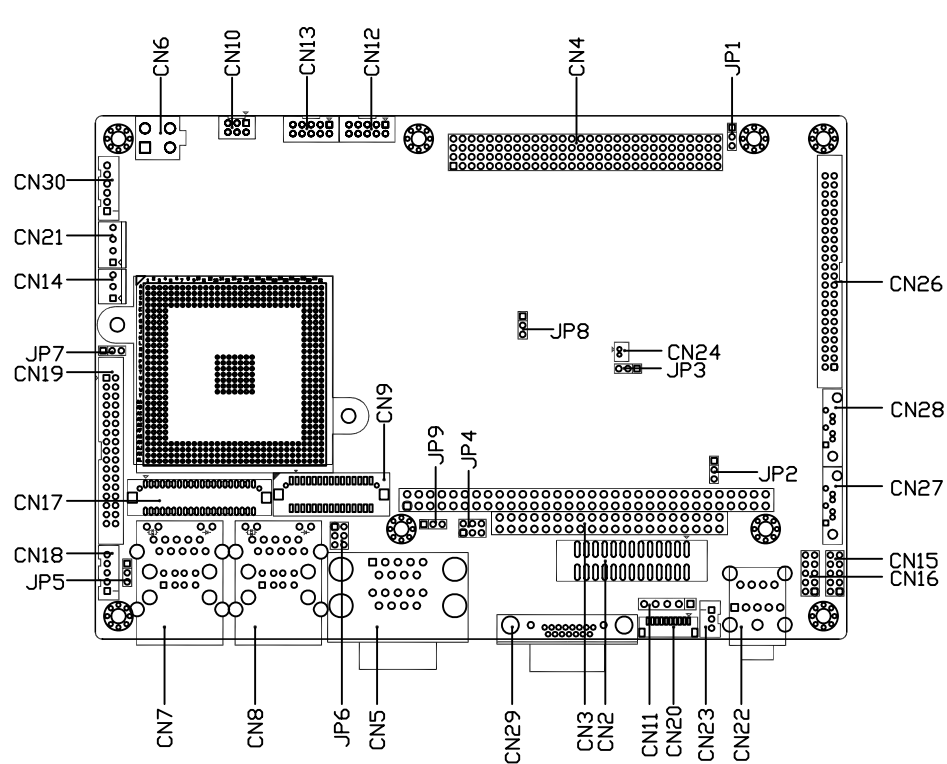
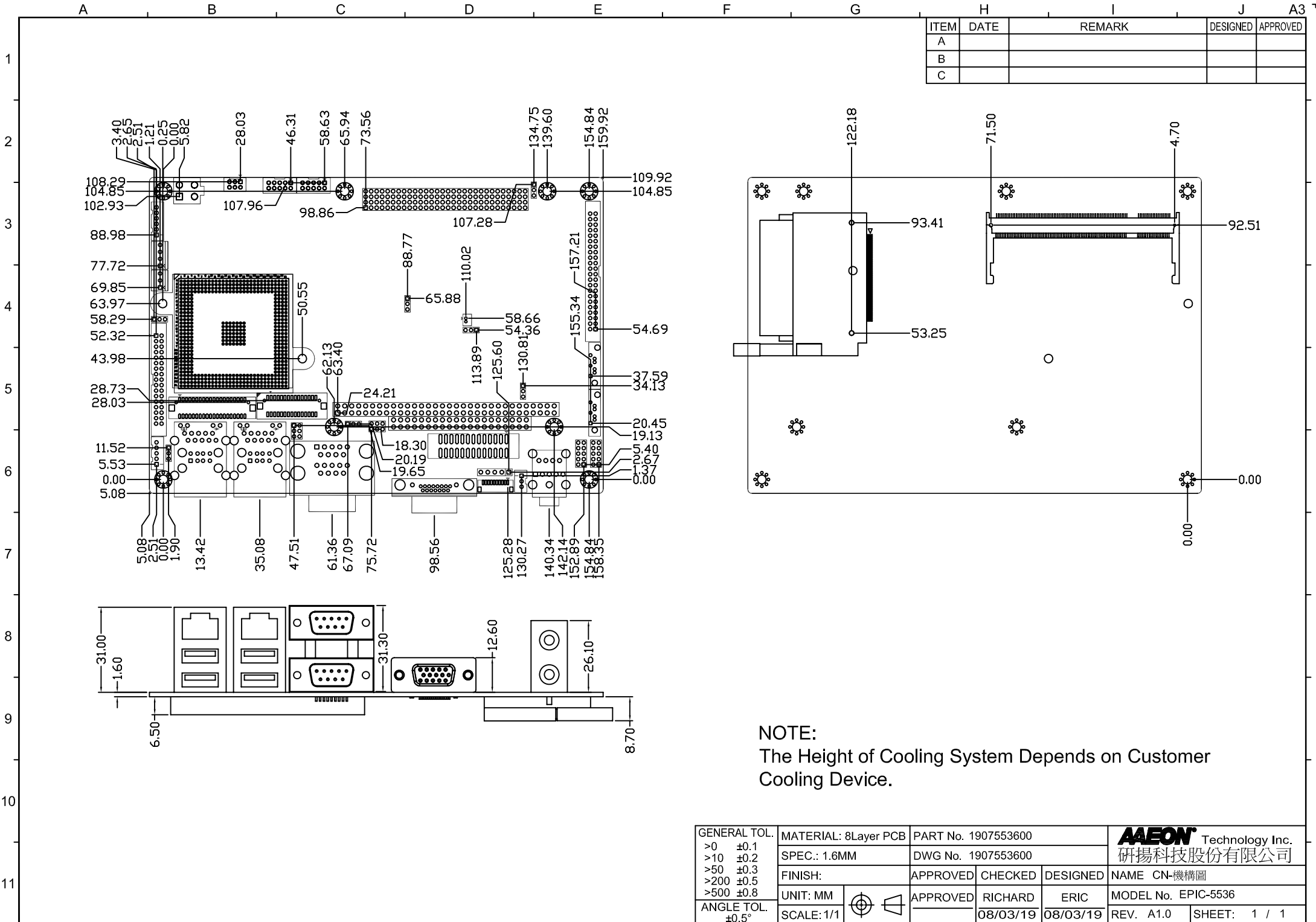


ITEM	DATE	REMARK	DESIGNED	APPROVED
A				
B				
C				



NOTE:  
The Height of Cooling System Depends on Customer Cooling Device.

GENERAL TOL. >0 ±0.1 >10 ±0.2 >50 ±0.3 >200 ±0.5 >500 ±0.8	MATERIAL: 8Layer PCB SPEC.: 1.6MM FINISH: UNIT: MM SCALE: 1/1	PART No. 1907553600 DWG No. 1907553600 APPROVED RICHARD 08/03/19	CHECKED ERIC 08/03/19	DESIGNED ERIC 08/03/19	<b>AAEON</b> Technology Inc. 研揚科技股份有限公司 NAME CN-機構圖 MODEL No. EPIC-5536 REV. A1.0 SHEET: 1 / 1
ANGLE TOL. ±0.5°		APPROVED			



ITEM	DATE	REMARK	DESIGNED	APPROVED
A				
B				
C				

**NOTE:**  
The Height of Cooling System Depends on Customer Cooling Device.

GENERAL TOL. >0 ±0.1 >10 ±0.2 >50 ±0.3 >200 ±0.5 >500 ±0.8 ANGLE TOL. ±0.5°	MATERIAL: 8Layer PCB	PART No. 1907553600			<b>AAEON</b> Technology Inc. 研揚科技股份有限公司	
	SPEC.: 1.6MM	DWG No. 1907553600				
	FINISH:	APPROVED	CHECKED	DESIGNED	NAME CN-機構圖	
	UNIT: MM	APPROVED	RICHARD	ERIC	MODEL No. EPIC-5536	
SCALE: 1/1			08/03/19	08/03/19	REV. A1.0	SHEET: 1 / 1