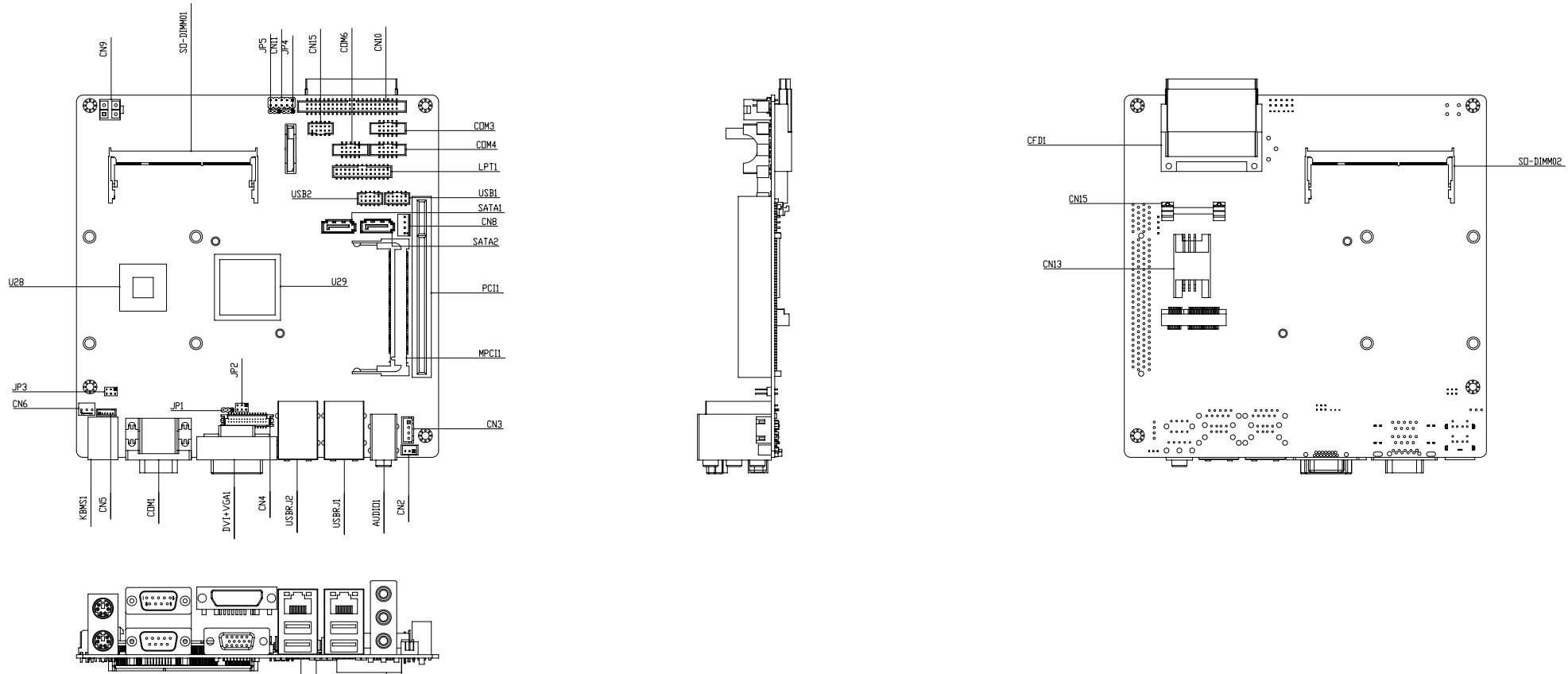


ITEM	DATE	REMARK	DESIGNED	APPROVED
1				
2				
3				

# AAEON EMB-LN9T Rev.B\_A1.0\_MECHANICAL\_DRAWING\_LOCATION



**NOTE:**  
The Height of Cooling System Depends on Customer Cooling Device

GENERAL TOL. >0 ±0.1 >10 ±0.2 >50 ±0.3 >200 ±0.5 >500 ±0.8 ANGLE TOL. ±0.5°	MATERIAL: PCB	PART NO: 9697LN9T12-D			
	SPEC: T=1.6mm	DWG NO: 9697LN9T12-D			
UNIT: MM SCALE: 1.000	FINISH: N/A	APPROVED	CHECKED	DESIGNED	NAME: Motherboard
		VINCENT	TB	MODEL NO: EMB-LN9T Rev.B	
		13-Sep-11	13-Sep-11	REV. 1.0	SHEET: 1/1