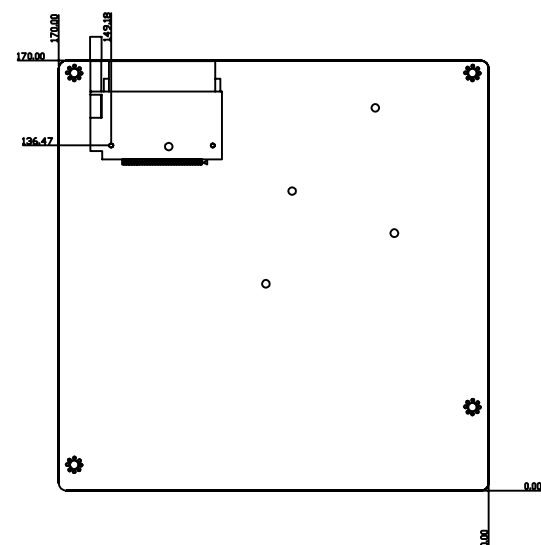
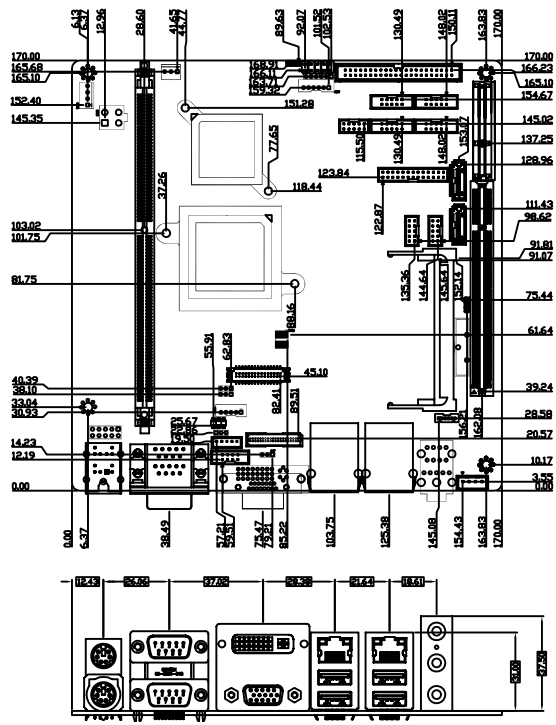


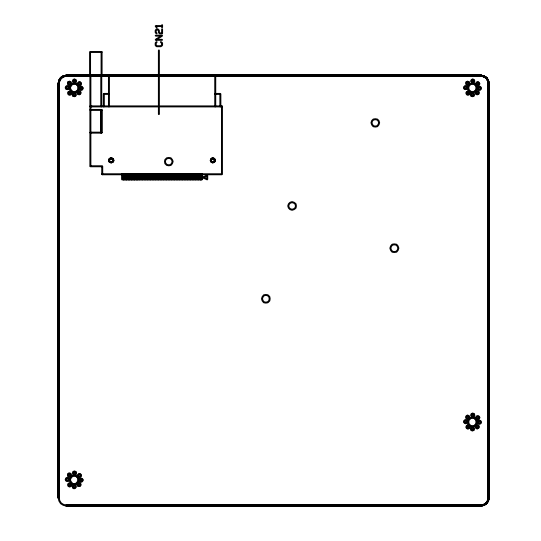
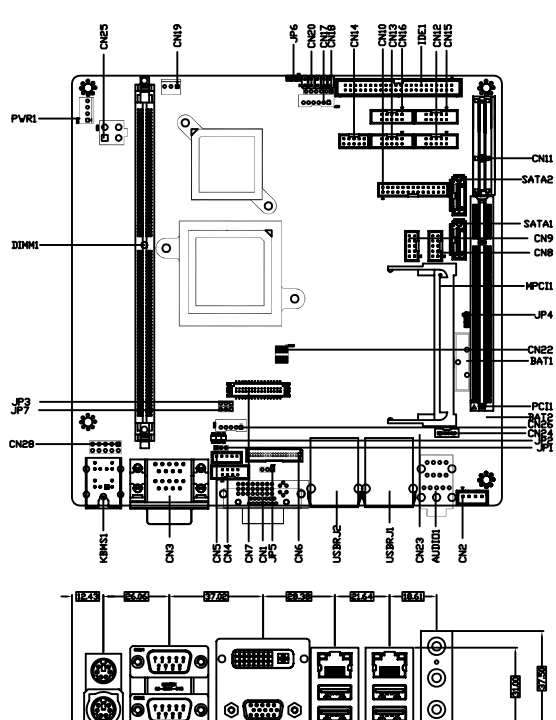
ITEM	DATE	REMARK	DESIGNED	APPROVED
1				
2				
3				



NOTE:
The Height of Cooling System Depends on Customer Cooling Device.

GENERAL TOL: >0 ±0.1 >10 ±0.2 >50 ±0.3 >200 ±0.5 >500 ±0.8	MATERIAL: PCB SPEC: 1.6MM FINISH: N/A UNIT: MM ANGLE TOL: ±0.5°	PART No. 1907945902 DWG No. 1907945902 APPROVED SCALE: 1/1	<table border="1"> <tr> <th>APPROVED</th> <th>CHECKED</th> <th>DESIGNED</th> <th>NAME</th> </tr> <tr> <td>WAYNE</td> <td>JIMMY</td> <td></td> <td>EMB-8439T_A2_0_TOP</td> </tr> </table>	APPROVED	CHECKED	DESIGNED	NAME	WAYNE	JIMMY		EMB-8439T_A2_0_TOP	<table border="1"> <tr> <th>DESIGNED</th> <th>APPROVED</th> <th>MODEL No.</th> </tr> <tr> <td></td> <td></td> <td>EMB-8439T_A2_0_TOP</td> </tr> </table>	DESIGNED	APPROVED	MODEL No.			EMB-8439T_A2_0_TOP
APPROVED	CHECKED	DESIGNED	NAME															
WAYNE	JIMMY		EMB-8439T_A2_0_TOP															
DESIGNED	APPROVED	MODEL No.																
		EMB-8439T_A2_0_TOP																
			<table border="1"> <tr> <th>REV.</th> <th>REV. 2.0</th> </tr> <tr> <td></td> <td>2010/06/08</td> </tr> </table>	REV.	REV. 2.0		2010/06/08	<table border="1"> <tr> <th>SHEET:</th> <th>1 / 1</th> </tr> </table>	SHEET:	1 / 1								
REV.	REV. 2.0																	
	2010/06/08																	
SHEET:	1 / 1																	

ITEM	DATE	REMARK	DESIGNED	APPROVED
1				
2				
3				



GENERAL TOL: >0 ±0.1 >10 ±0.2 >50 ±0.3 >200 ±0.5 >500 ±0.8	MATERIAL: PCB SPEC: 1.6MM FINISH: N/A UNIT: MM ANGLE TOL: ±0.5°	PART No. 1907945902 DWG No. 1907945902 APPROVED SCALE: 1/1	<table border="1"> <tr> <th>APPROVED</th> <th>CHECKED</th> <th>DESIGNED</th> <th>NAME</th> </tr> <tr> <td>WAYNE</td> <td>JIMMY</td> <td></td> <td>EMB-8439T_A2_0_TOP</td> </tr> </table>	APPROVED	CHECKED	DESIGNED	NAME	WAYNE	JIMMY		EMB-8439T_A2_0_TOP	<table border="1"> <tr> <th>DESIGNED</th> <th>APPROVED</th> <th>MODEL No.</th> </tr> <tr> <td></td> <td></td> <td>EMB-8439T_A2_0_TOP</td> </tr> </table>	DESIGNED	APPROVED	MODEL No.			EMB-8439T_A2_0_TOP
APPROVED	CHECKED	DESIGNED	NAME															
WAYNE	JIMMY		EMB-8439T_A2_0_TOP															
DESIGNED	APPROVED	MODEL No.																
		EMB-8439T_A2_0_TOP																
			<table border="1"> <tr> <th>REV.</th> <th>REV. 2.0</th> </tr> <tr> <td></td> <td>2010/06/08</td> </tr> </table>	REV.	REV. 2.0		2010/06/08	<table border="1"> <tr> <th>SHEET:</th> <th>1 / 1</th> </tr> </table>	SHEET:	1 / 1								
REV.	REV. 2.0																	
	2010/06/08																	
SHEET:	1 / 1																	