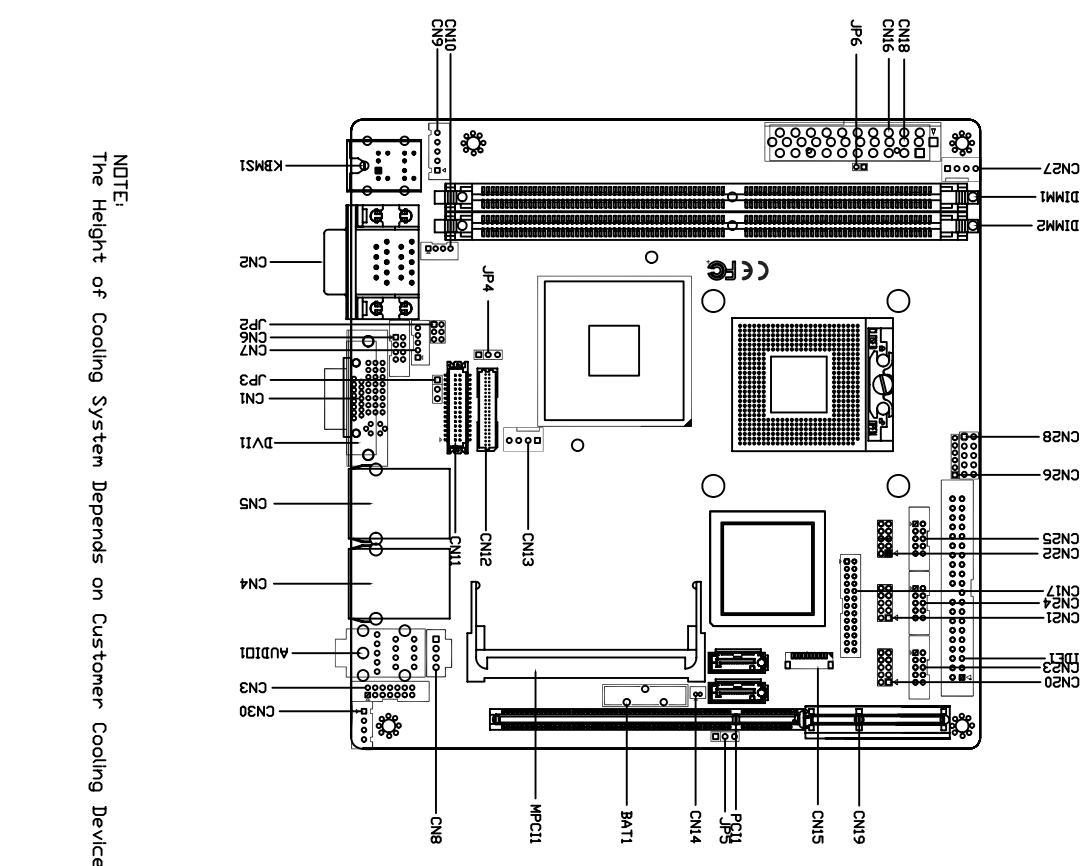
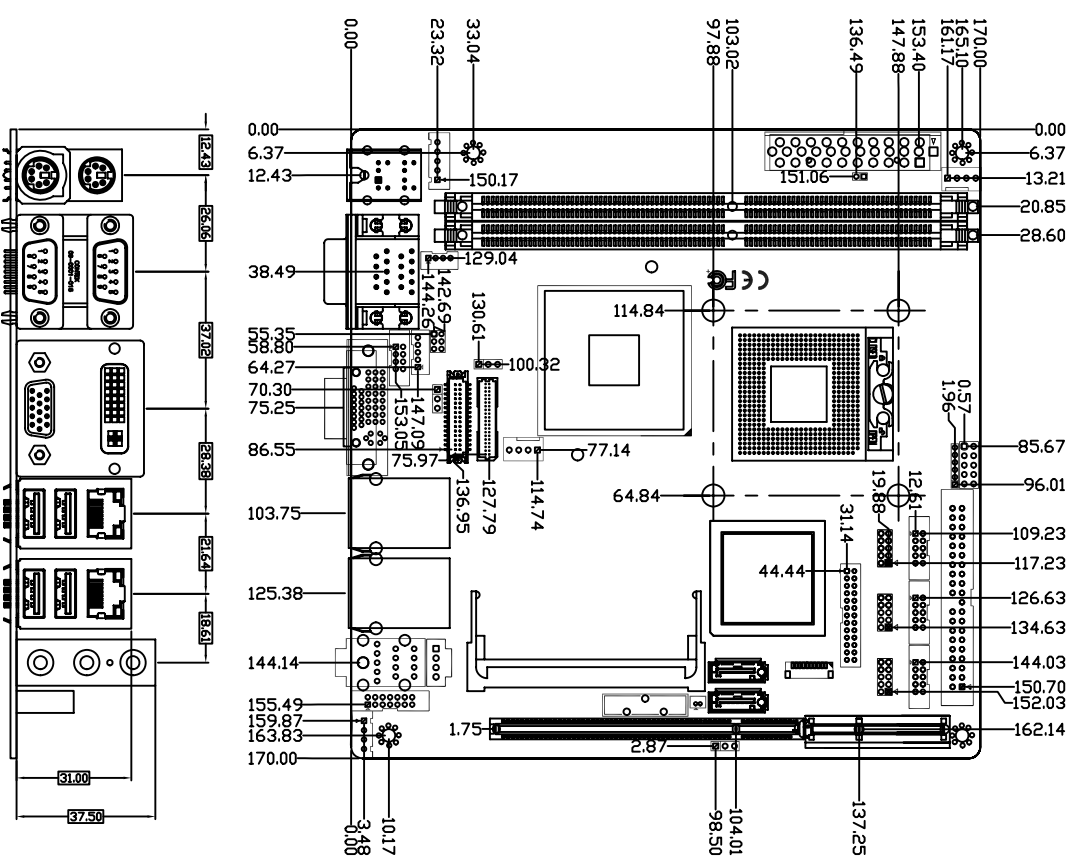


ITEM	DATE	REMARK	DESIGNED	APPROVED
1				
2				
3				

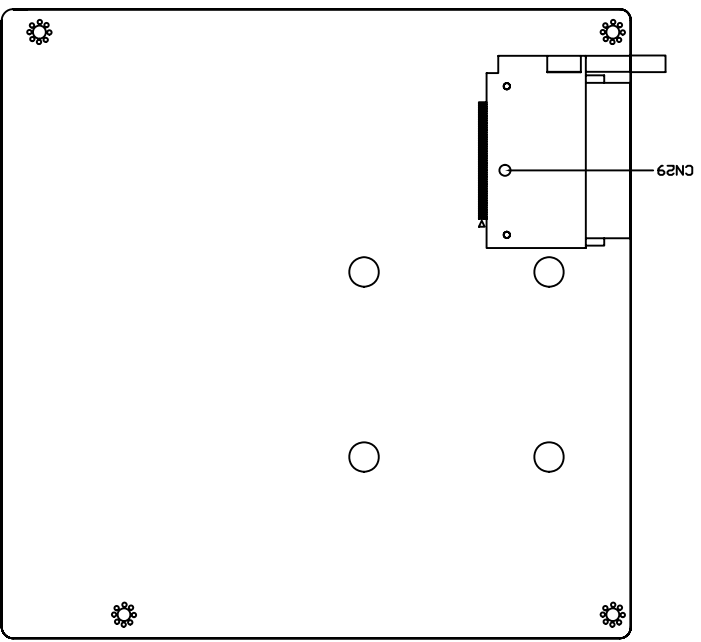
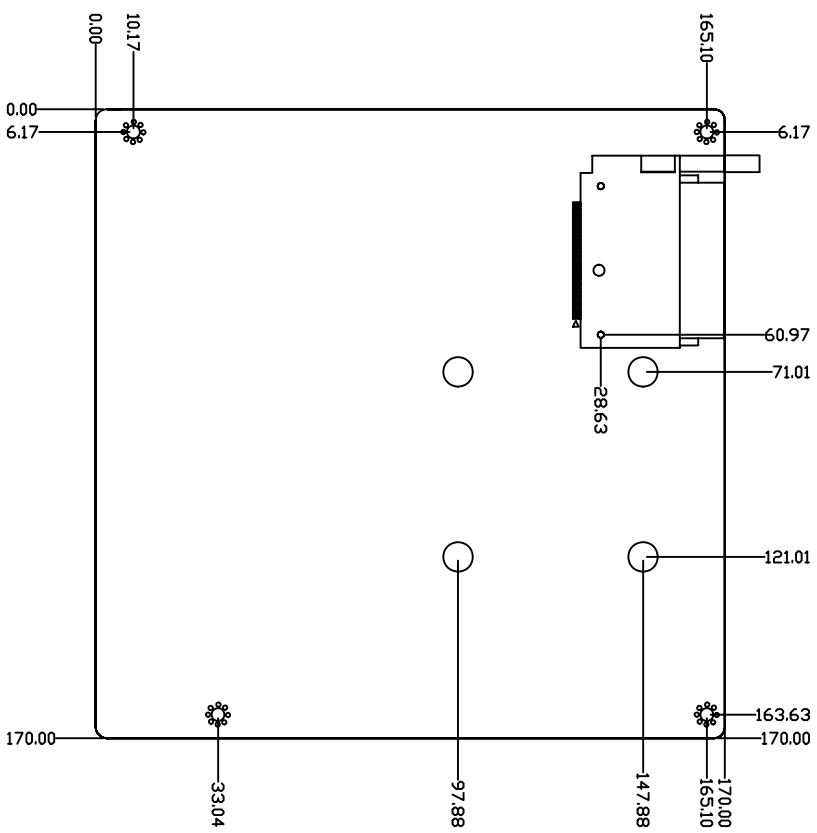


NOTE:  
The Height of Cooling System Depends on Customer Cooling Device.

<b>GENERAL TOL.</b>		<b>MATERIAL: PCB</b>		<b>PART No. 1907945802</b>	
>0	±0.1	SPEC.: 1.6MM		DWG No. 1907945802	<b>MEOW Technology Inc.</b> 研揚科技股份有限公司
>40	±0.3	FINISH: N/A		APPROVED CHECKED	
>200	±0.5	UNIT: MM		JASON JIMMY	
>500	±0.8	SCALE: 1/1		MODEL No. EMB-9458T_A1.0A_TOP	
ANGLE TOL.	±0.5°			REV. A1.0	SHEET: 1 / 1

1  
2  
3  
4  
5  
6  
7  
8  
9  
10  
11  
12  
13

ITEM	DATE	REMARK	DESIGNED	APPROVED
1				
2				
3				



<b>GENERAL TOL.</b>		MATERIAL: PCB	PART No. 1907945802	<b>MEOW Technology Inc.</b>	
>0	±0.1	SPEC.: 1.6MM	DWG No. 1907945802	研達科技股份有限公司	
>40	±0.3	FINISH: N/A	APPROVED CHECKED	MODEL No. EMB-9458T_A1.0A_BOT	
>200	±0.5	UNIT: MM	JASON	JIMMY	REV. A1.0
>500	±0.8	SCALE: 1:1	08/02/22	08/02/22	SHEET: 1 / 1
ANGLE TOL.	±0.5°				

13  
12  
11  
10  
9  
8  
7  
6  
5  
4  
3  
2  
1