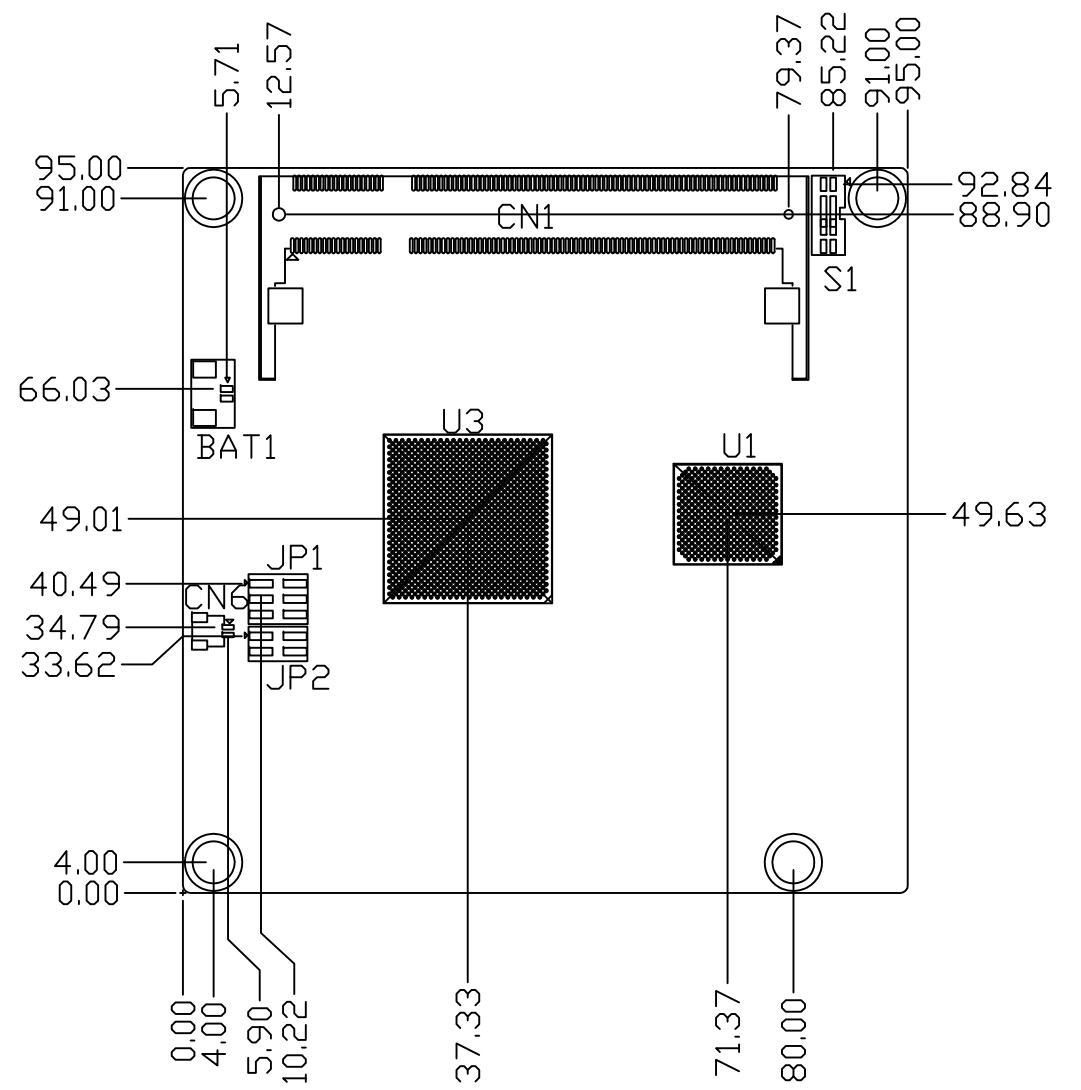
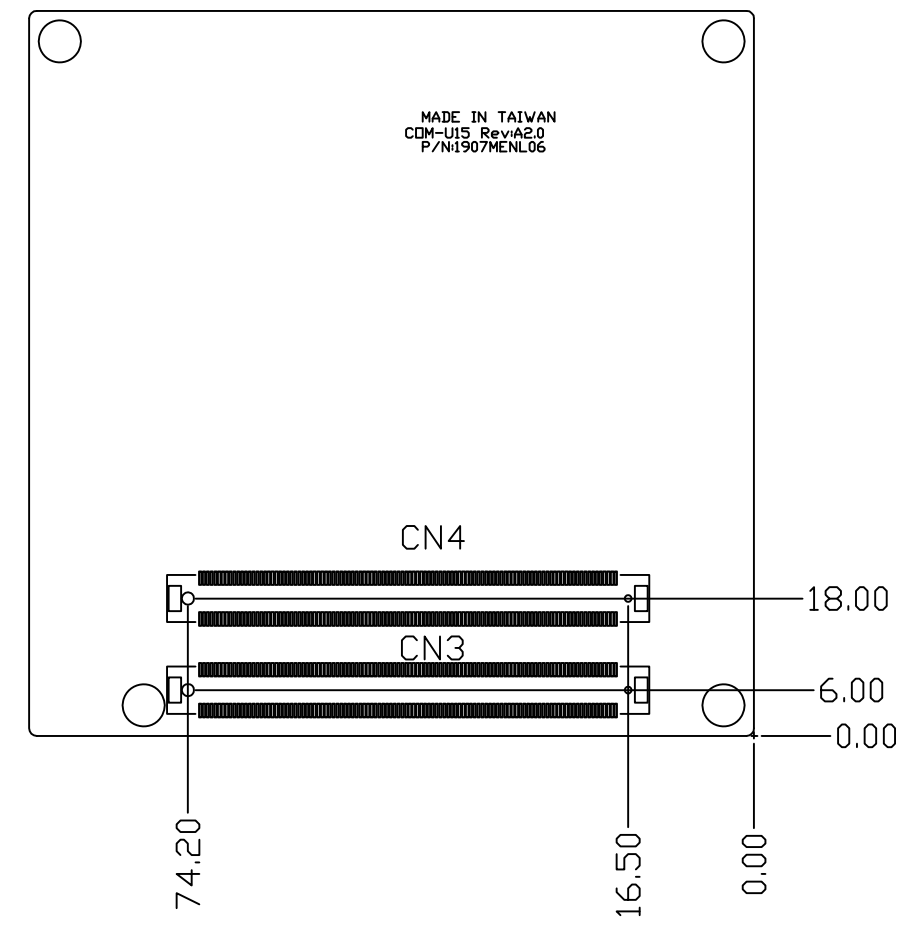


ITEM	DATE	REMARK	DESIGNED	APPROVED
1				
2				
3				

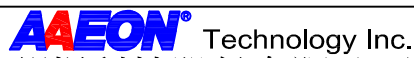


Component Side



Solder Side

NOTE:
The Height of Cooling System Depends on Customer Cooling Device.

GENERAL TOL. >0 ±0.1 >10 ±0.2 >50 ±0.3 >200 ±0.5 >500 ±0.8	MATERIAL: PCB	PART No. 1907MENL06			 研揚科技股份有限公司 NAME PCB_DRAWING
	SPEC.: T=1.6MM	DWG No. 1907MENL06			
ANGLE TOL. ±0.5°	FINISH: NA	APPROVED	CHECKED	DESIGNED	MODEL No. COM-U15
	UNIT: MM	SCALE: 1/1	WAYNE	GLEN	REV. A2.0
			20100427	20100427	SHEET: 1 / 1