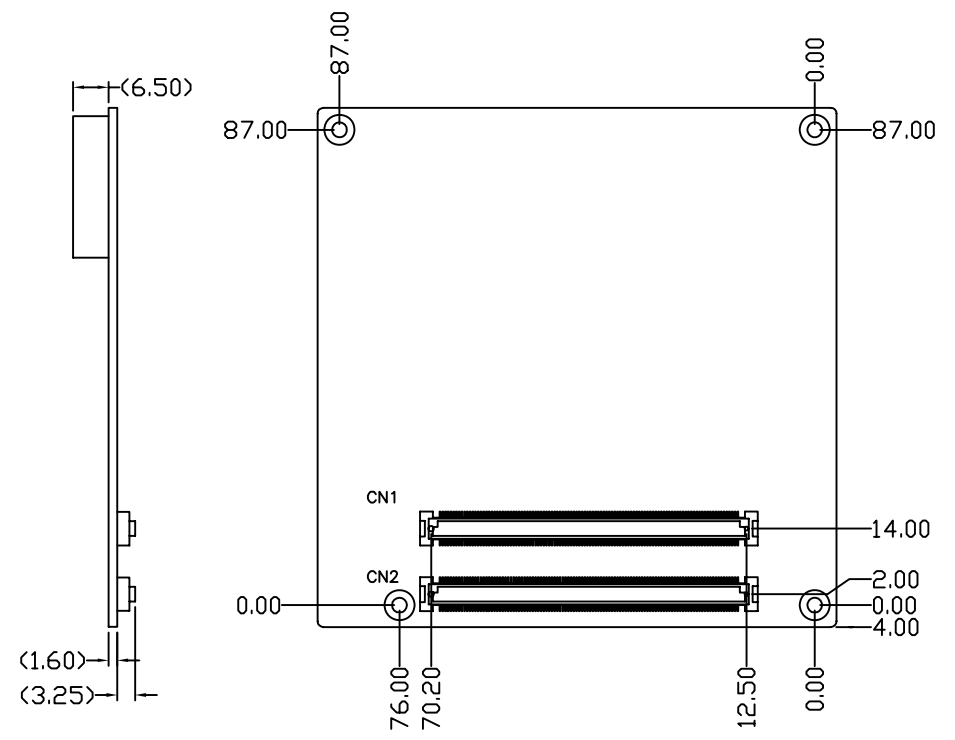
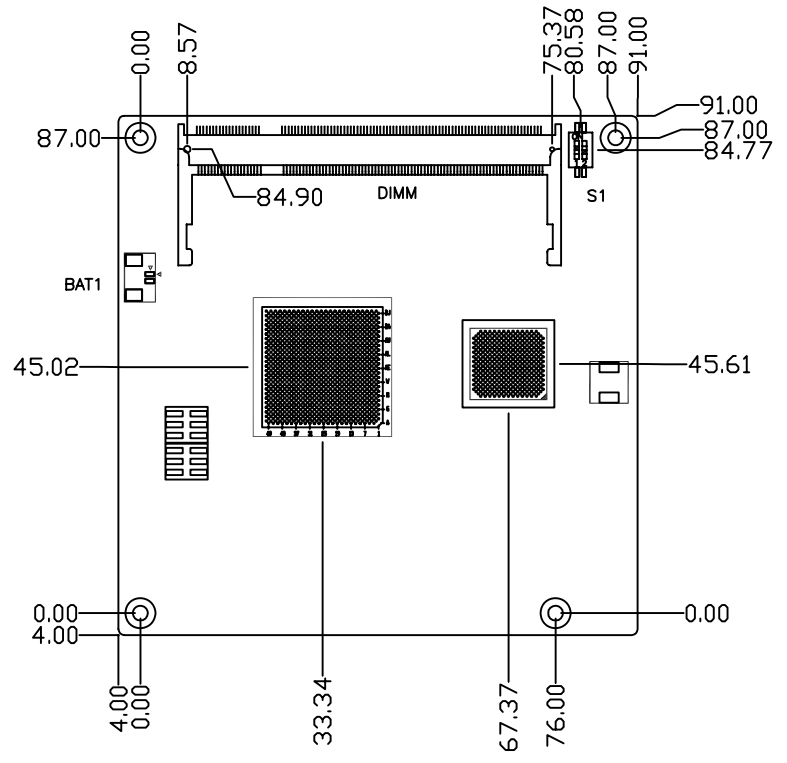


ITEM	DATE	REMARK	DESIGNED	APPROVED
1				
2				
3				



NOTE:
The Height of Cooling System Depends on Customer Cooling Device.

GENERAL TOL. >0 ±0.1 >10 ±0.2 >50 ±0.3 >200 ±0.5 >500 ±0.8	MATERIAL: PCB	PART No. 1907MENL02			AAEON Technology Inc. 研揚科技股份有限公司
	SPEC.: T=1.6	DWG No. 1907MENL02			
ANGLE TOL. ±0.5°	FINISH: N/A	APPROVED	CHECKED	DESIGNED	NAME PCB
	UNIT: MM		TRISTAN	ERIC	MODEL No. COM-MENLOW
SCALE: 1/1			09/01/09	09/01/09	REV. A1.0 SHEET: 1 / 1