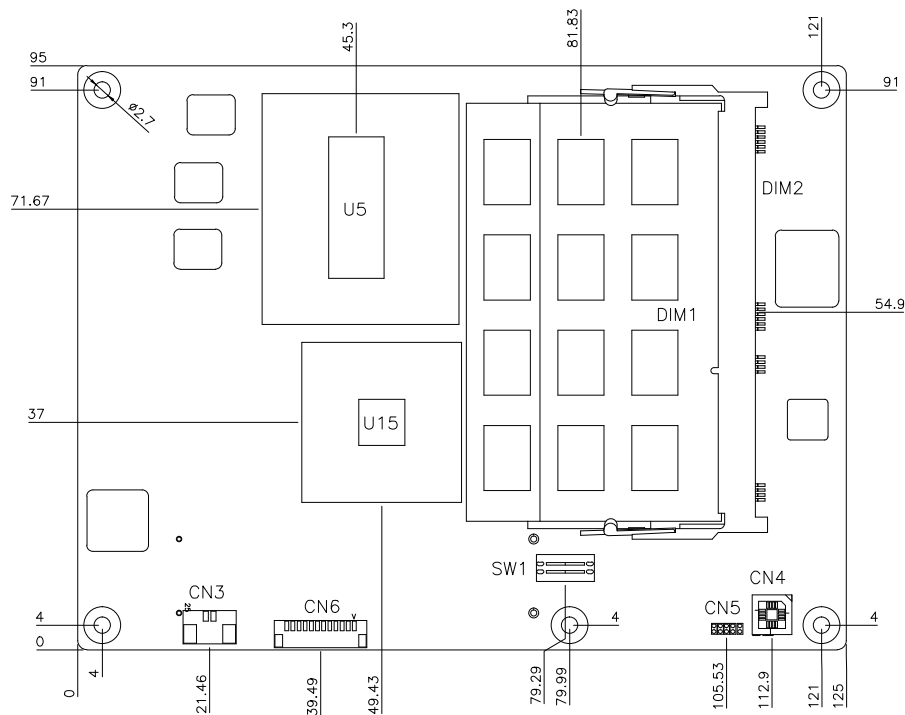
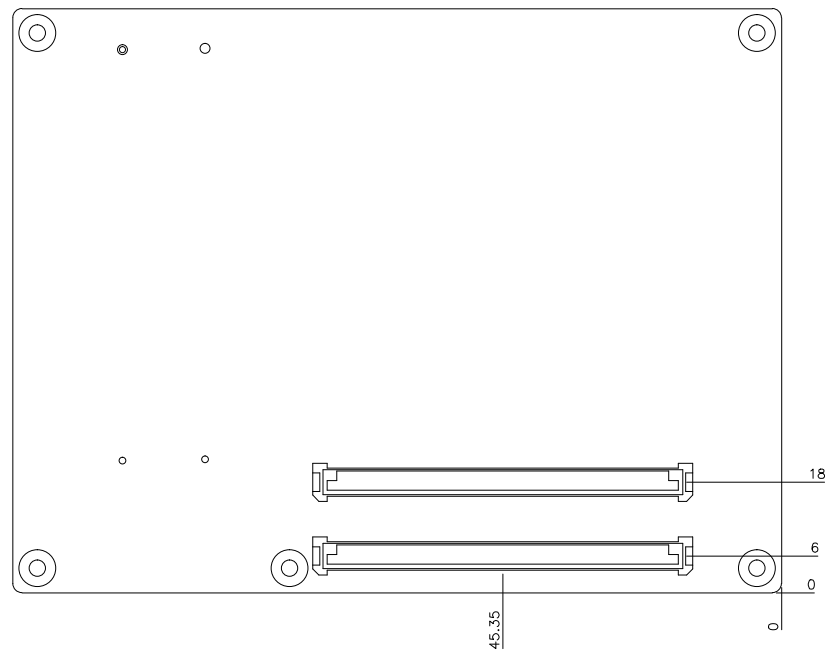


ITEM	DATE	REMARK	DESIGNED	APPROVED
1				
2				
3				



Component Side



Solder Side

GENERAL TOL. >0 ±0.1 >10 ±0.2 >50 ±0.3 >200 ±0.5 >500 ±0.8 ANGLE TOL. ±0.5°	MATERIAL: PCB	PART No. 1907QM87			AAEON ® Technology Inc. An AVULS Company	
	SPEC.: T=2.0mm	DWG No. 1907QM87				
	FINISH: N/A	APPROVED	CHECKED	DESIGNED	NAME PCB DRAWING	
	UNIT: MM	SCALE:	TONY	ET CHEN	MODEL No. COM-QM87	REV. 0.0