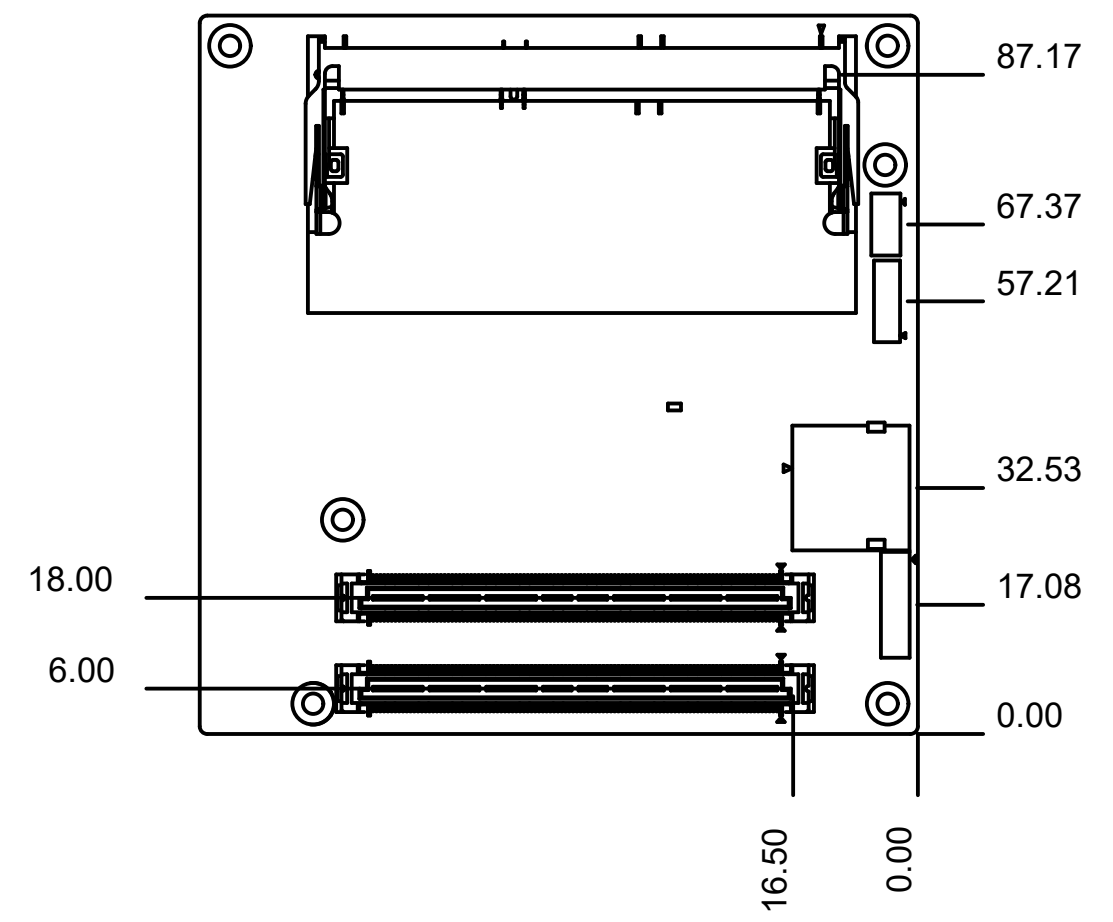
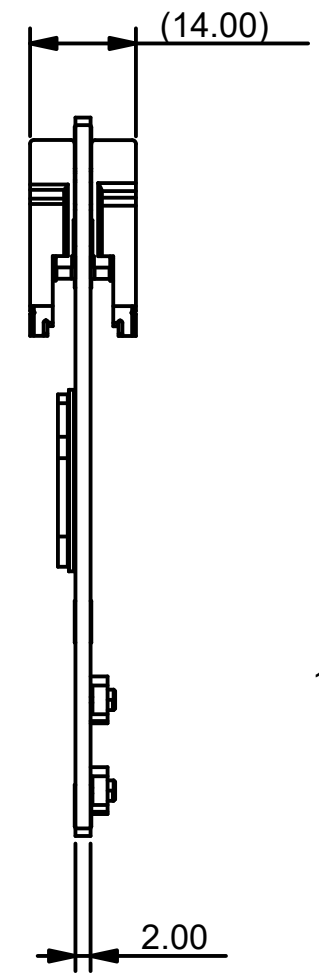
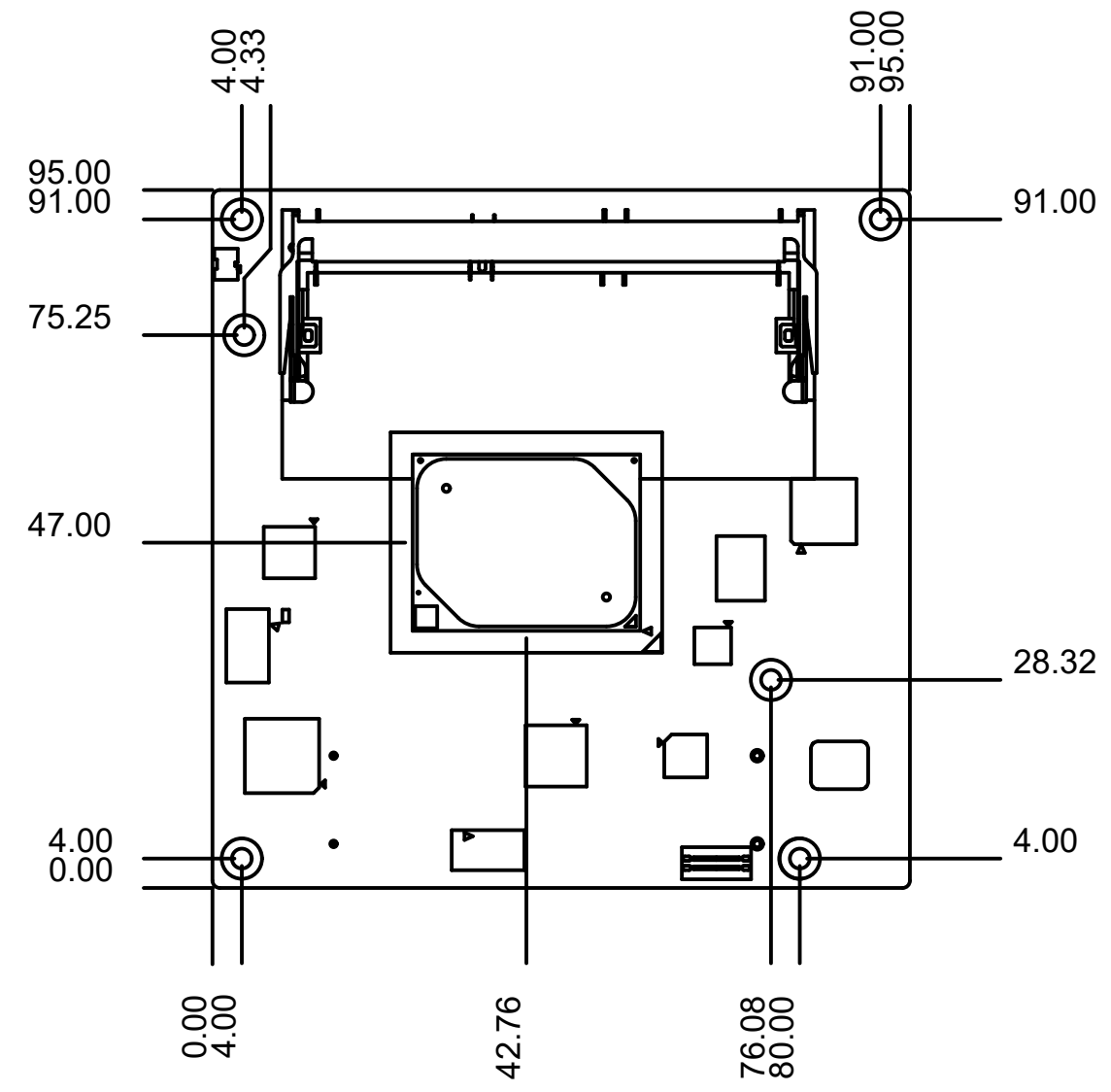


A B C D E F G H

ITEM	DATE	REMARK	DESIGNED	APPROVED
1				
2				
3				

1
2
3
4
5



GENERAL TOL.		MATERIAL: PCBA	PART NO: 1907APL003	AEON Technology Inc. An AELIS Company	
>0	±0.1	SPEC: T=2.0mm	DWG NO: 1907APL003		
>10	±0.2	FINISH: NA	APPROVED	CHECKED	DESIGNED
>50	±0.3	UNIT: mm	Kevin	Joanne	MODEL NO: COM-APLC6
>200	±0.5	SCALE: 1.000	Apr-18,18	Apr-18,18	REV. A10
>500	±0.8				SHEET: 1/1
ANGLE TOL	±0.5°				