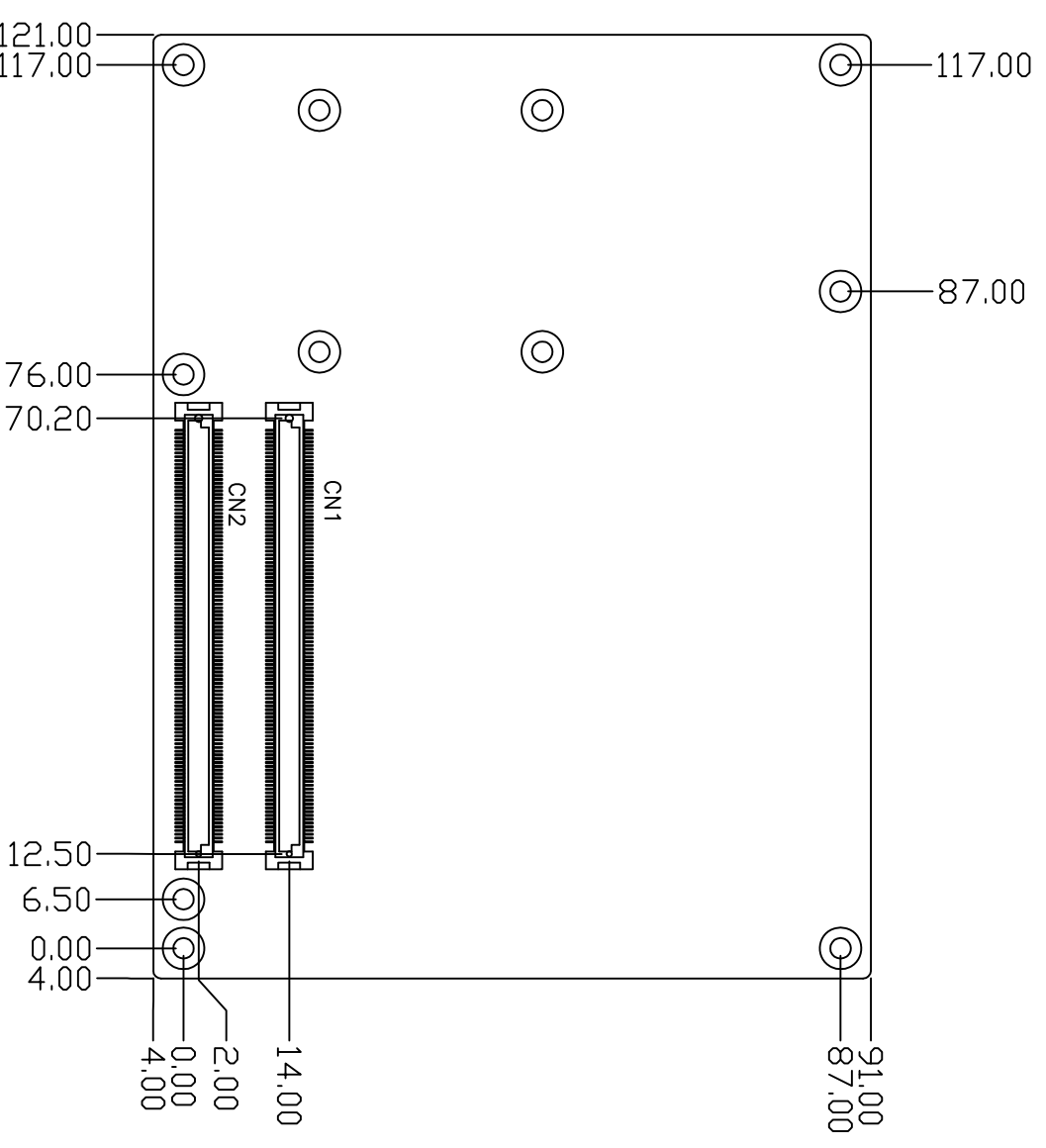
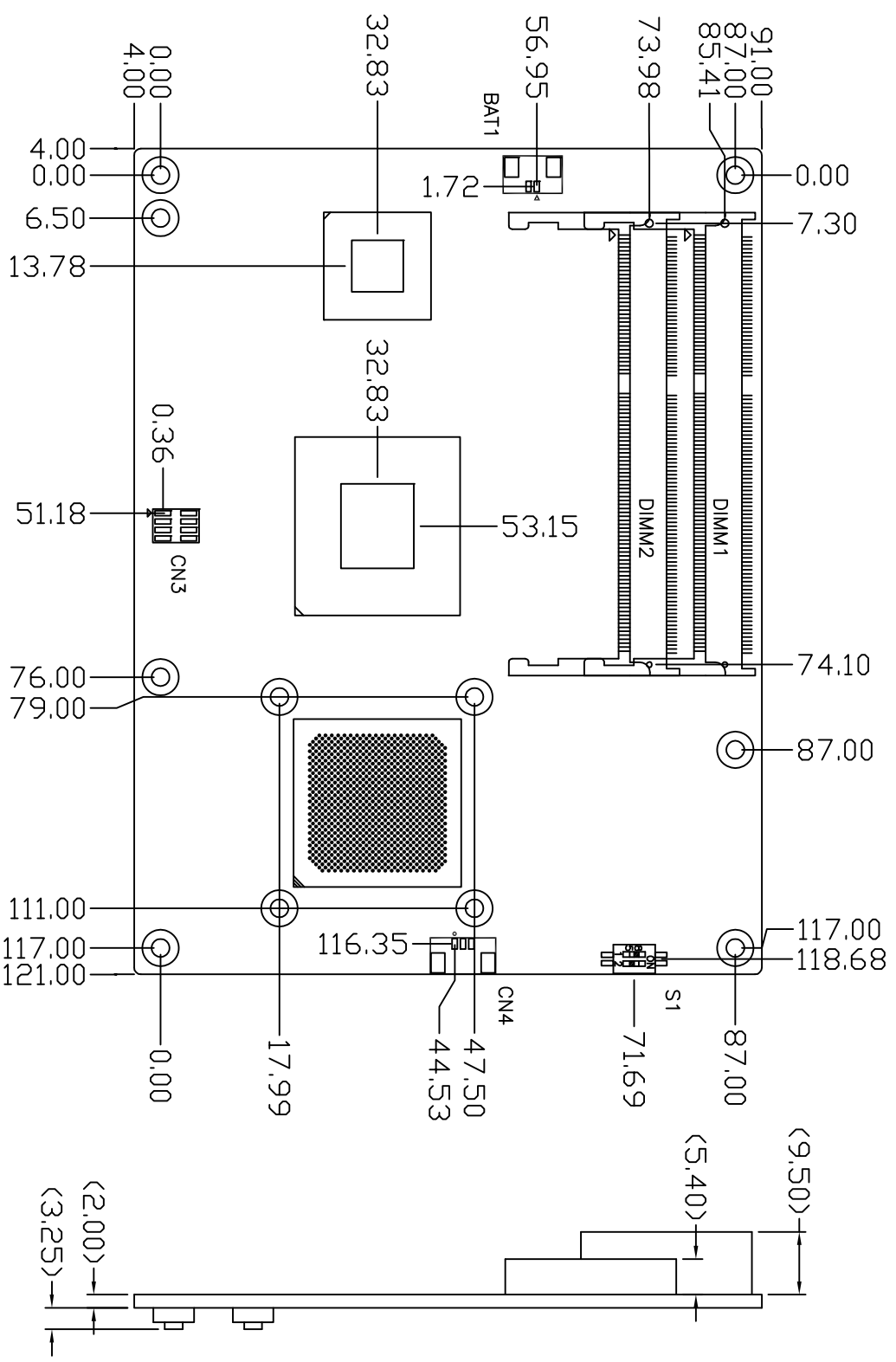


ITEM	DATE	REMARK	DESIGNED	APPROVED
1				
2				
3				



NOTE:
The Height of Cooling System Depends on Customer Cooling Device.

GENERAL TOL.		MATERIAL: PCB	PART No. 190745GS02	AEEON Technology Inc. 研揚科技股份有限公司	
>0	± 0.1	SPEC.: T=2.0MM	DWG No. 190745GS02	MODEL No. COM-45GS	REV. 1.0
>10	± 0.2	FINISH: NA	APPROVED	NAME PCB_DRAWING	SHEET: 1 / 1
>50	± 0.3	UNIT: MM	CHECKED WAYNE	DESIGNED GLEN	
>200	± 0.5	ANGLE TOL.	2001209	20091209	
>500	± 0.8	$\pm 0.5^\circ$	SCALE: 1/1		