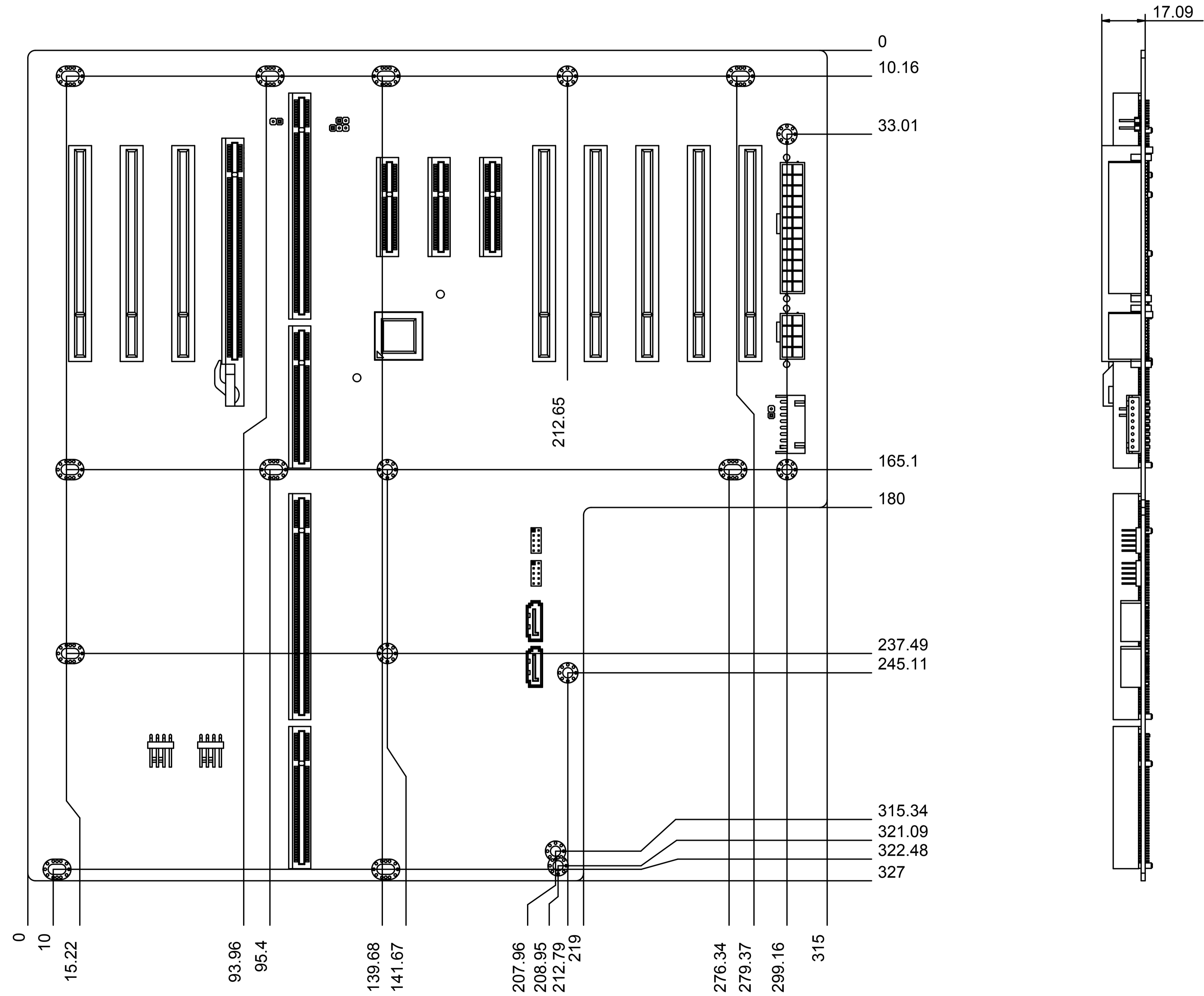


A B C D E F G H

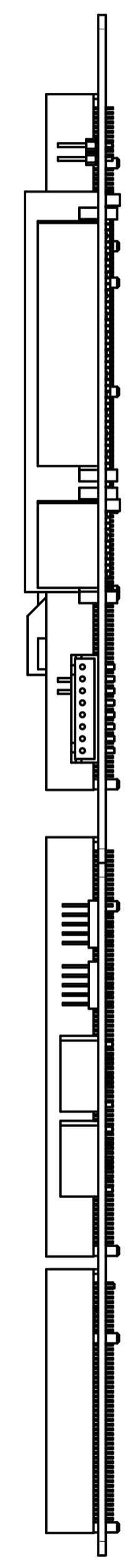
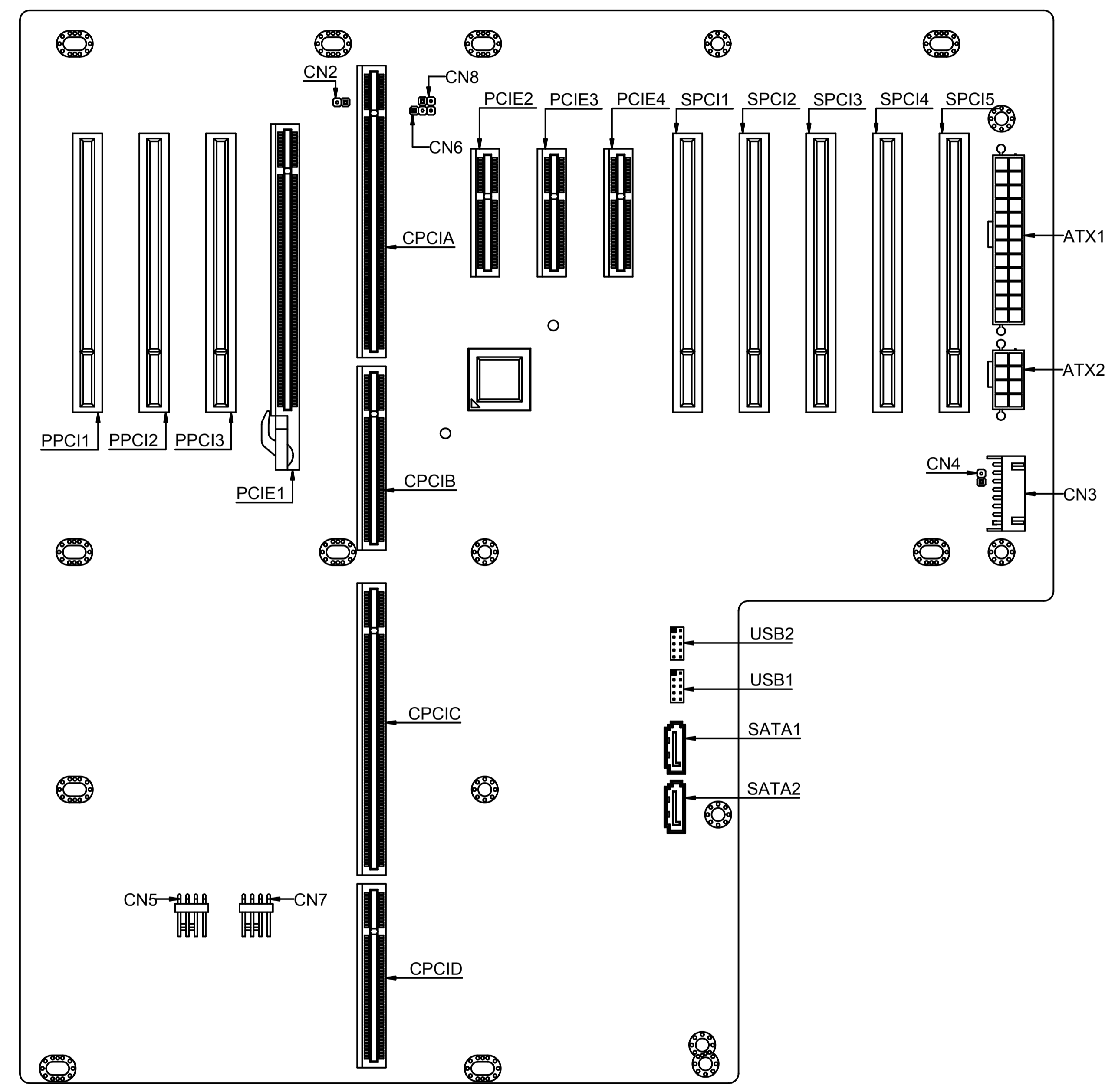
ITEM	DATE	REMARK	DESIGNED	APPROVED
1				
2				
3				



GENERAL TOL. >0 ±0.1 >10 ±0.2 >50 ±0.3 >200 ±0.5 >500 ±0.8 ANGLE TOL. ±0.5°	MATERIAL: FR4	PART NO: 1907214H00		
	SPEC: T=1.6mm	DWG NO: 1907214H00		
FINISH: N/A	UNIT: MM	APPROVED	CHECKED	DESIGNED NAME: BP-214SH-P8E4
SCALE: 1.000		Peter	Joanne	MODEL NO: BP-214SH-P8E4
		13-Sep-17	13-Sep-17	REV. A 1.0 SHEET: 1/3

A B C D E F G H

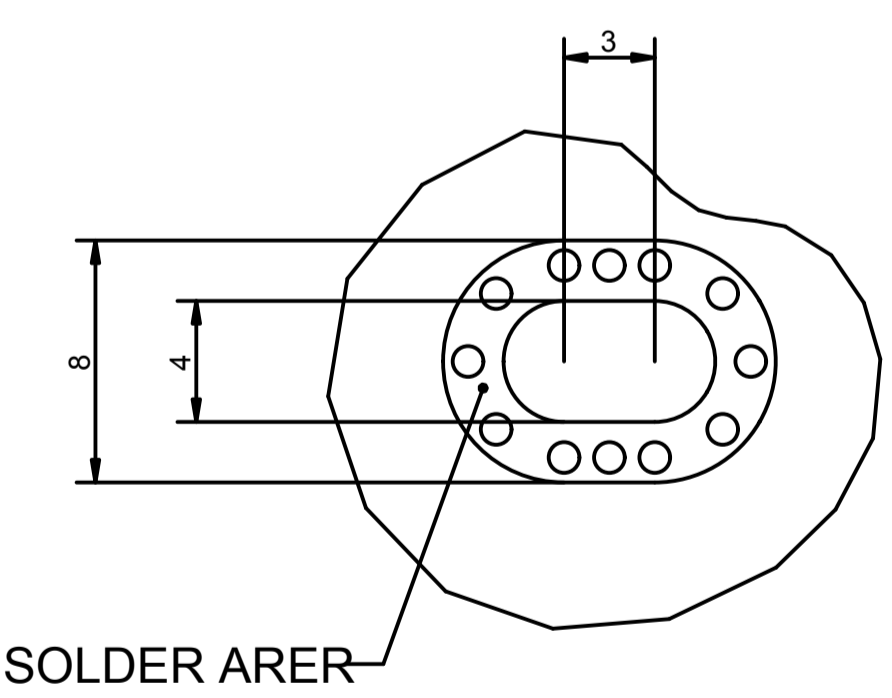
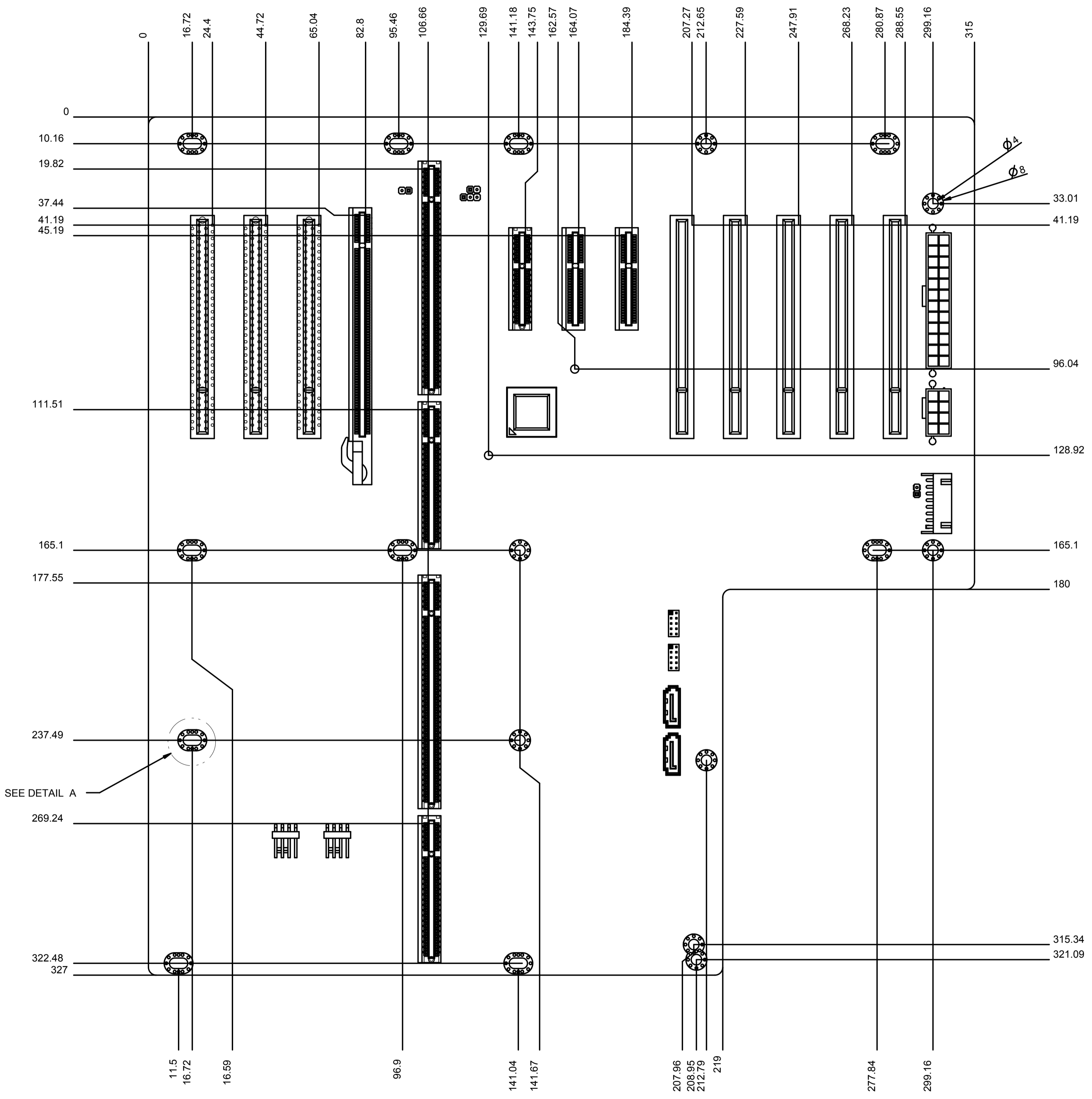
ITEM	DATE	REMARK	DESIGNED	APPROVED
1				
2				
3				



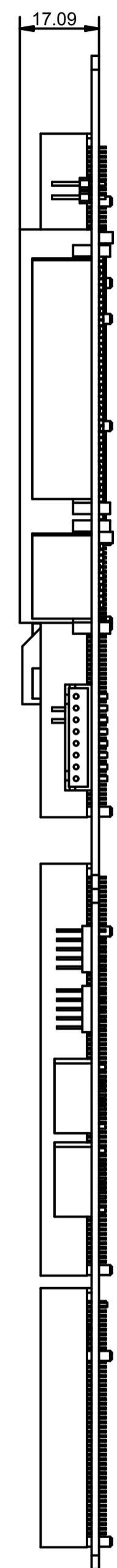
1
2
3
4
5

GENERAL TOL.		MATERIAL: FR4	PART NO: 1907214H00		
>0 ±0.1	>10 ±0.2	SPEC: T=1.6mm	DWG NO: 1907214H00		
>50 ±0.3	>200 ±0.5	FINISH: N/A	APPROVED	CHECKED	DESIGNED NAME: BP-214SH-P8E4
>500 ±0.8	ANGLE TOL. ±0.5°	UNIT: MM	SCALE: 1.000	Peter	Joanne
				13-Sep-17	13-Sep-17
				REV. A 1.0	SHEET: 2/3

ITEM	DATE	REMARK	DESIGNED	APPROVED
1				
2				
3				



DETAIL A
SCALE 4.000



GENERAL TOL. >0 ±0.1 >10 ±0.2 >50 ±0.3 >200 ±0.5 >500 ±0.8 ANGLE TOL. ±0.5°	MATERIAL: FR4	PART NO: 1907214H00			
	SPEC: T=1.6mm	DWG NO: 1907214H00			
	FINISH: N/A	APPROVED	CHECKED	DESIGNED	NAME: BP-214SH-P8E4
	UNIT: MM		Peter	Joanne	MODEL NO: BP-214SH-P8E4
	SCALE: 1.000		13-Sep-17	13-Sep-17	REV. A 1.0 SHEET: 3/3