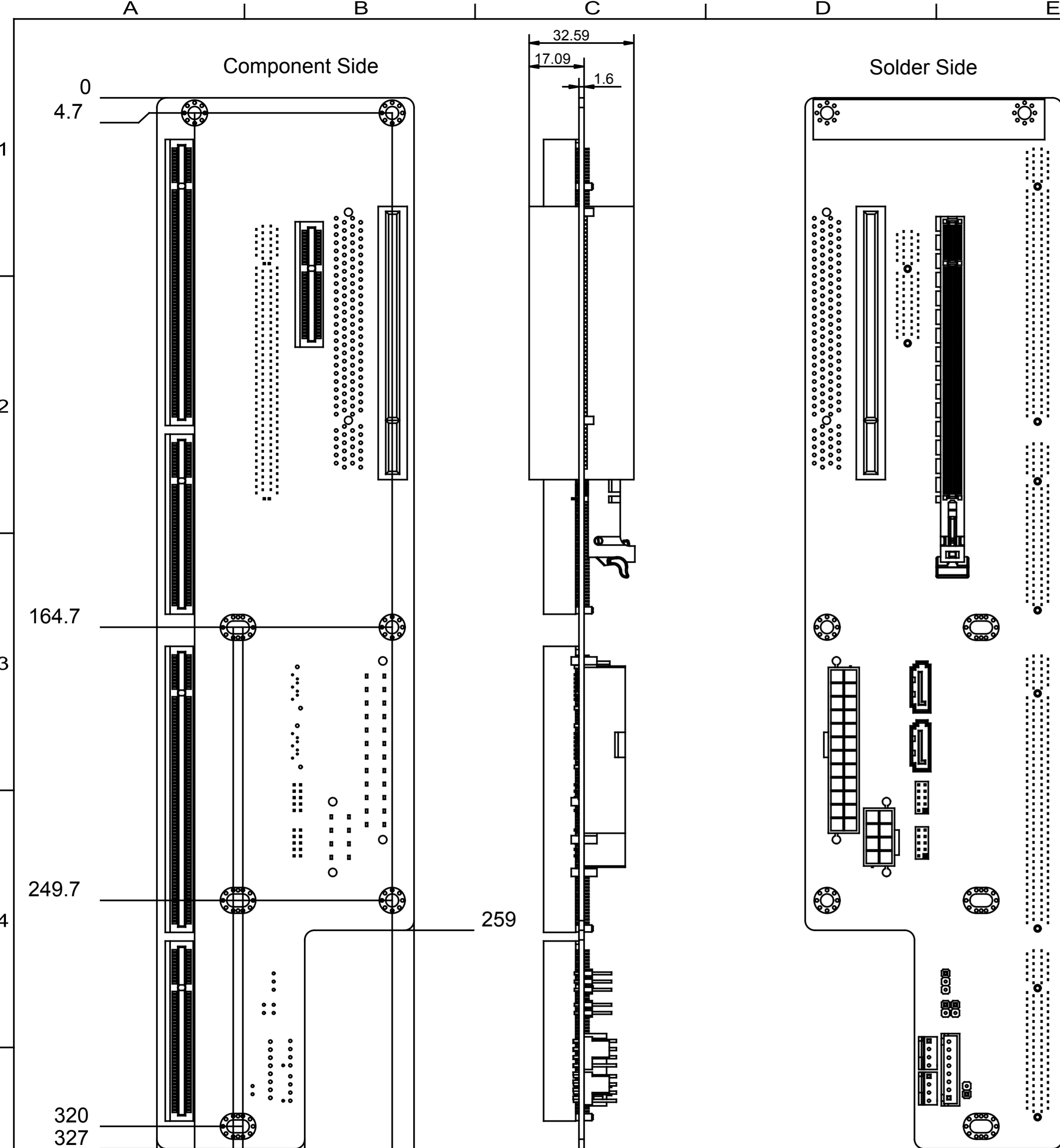


ITEM	DATE	REMARK	DESIGNED	APPROVED
1				
2				
3				

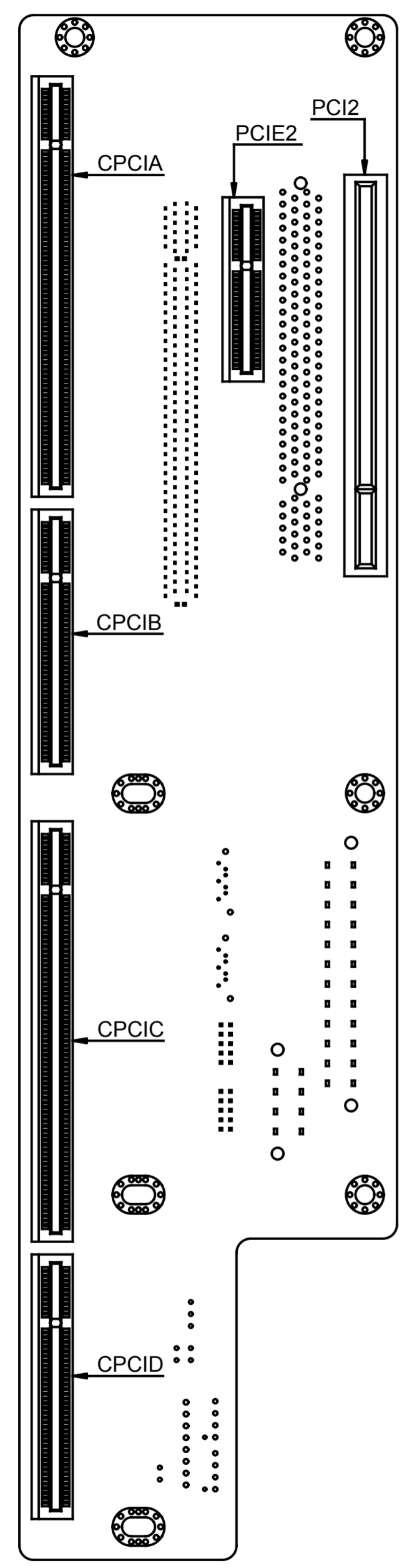


GENERAL TOL. >0 ±0.1 >10 ±0.2 >50 ±0.3 >200 ±0.5 >500 ±0.8	MATERIAL: FR4	PART NO: 1907206V01			
	SPEC: T=1.6mm	DWG NO: 1907206V01			
ANGLE TOL. ±0.5°	FINISH: N/A	APPROVED	CHECKED	DESIGNED	NAME: BP-206VH-P2E2
	UNIT: MM	SCALE: 1.000	Peter	Joanne	MODEL NO: BP-206VH-P2E2
			03-Jul-13	03-Jul-13	REV. A1.0 SHEET: 1/3

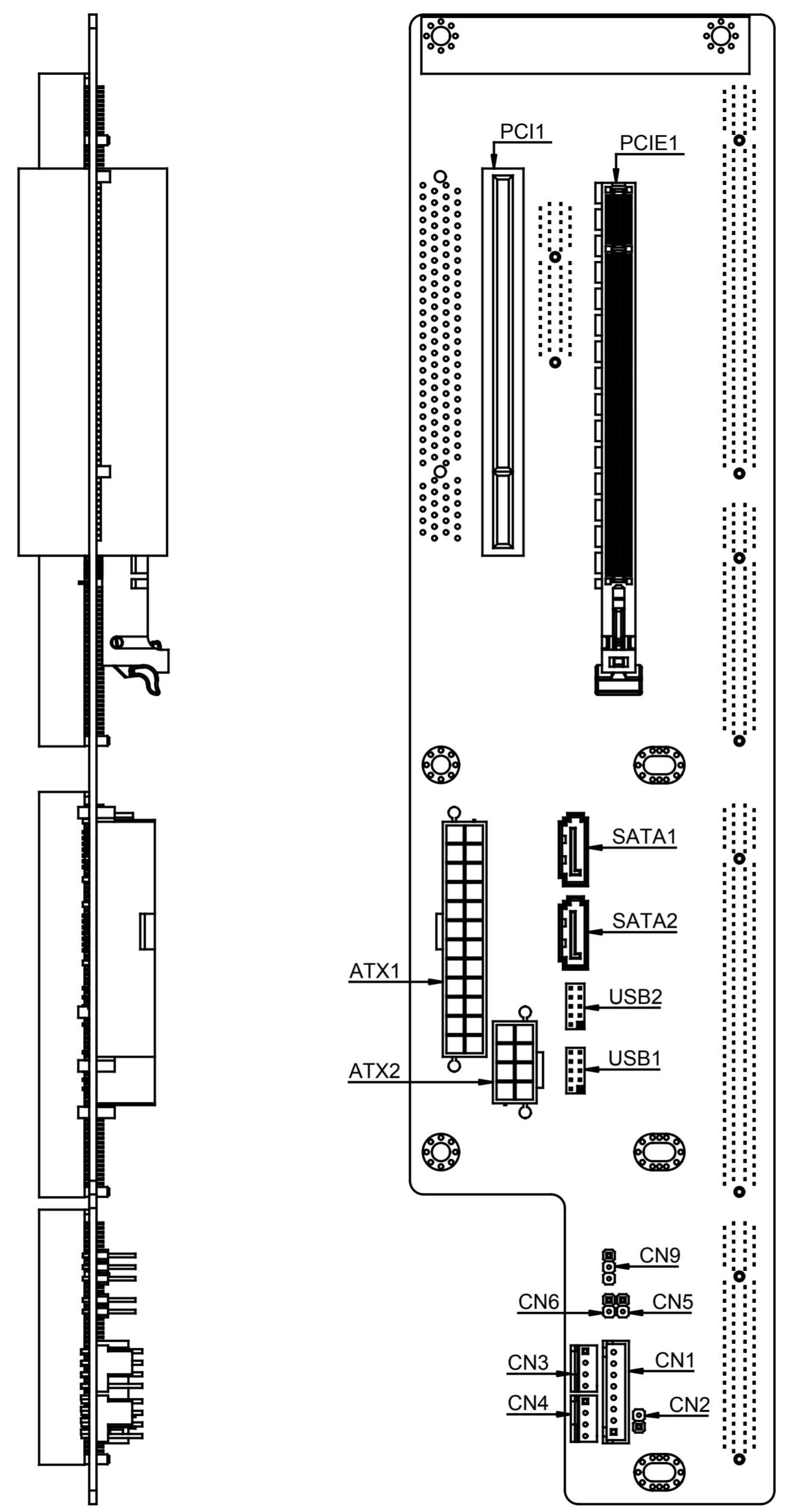
A B C D E F G H

ITEM	DATE	REMARK	DESIGNED	APPROVED
1				
2				
3				

Component Side



Solder Side



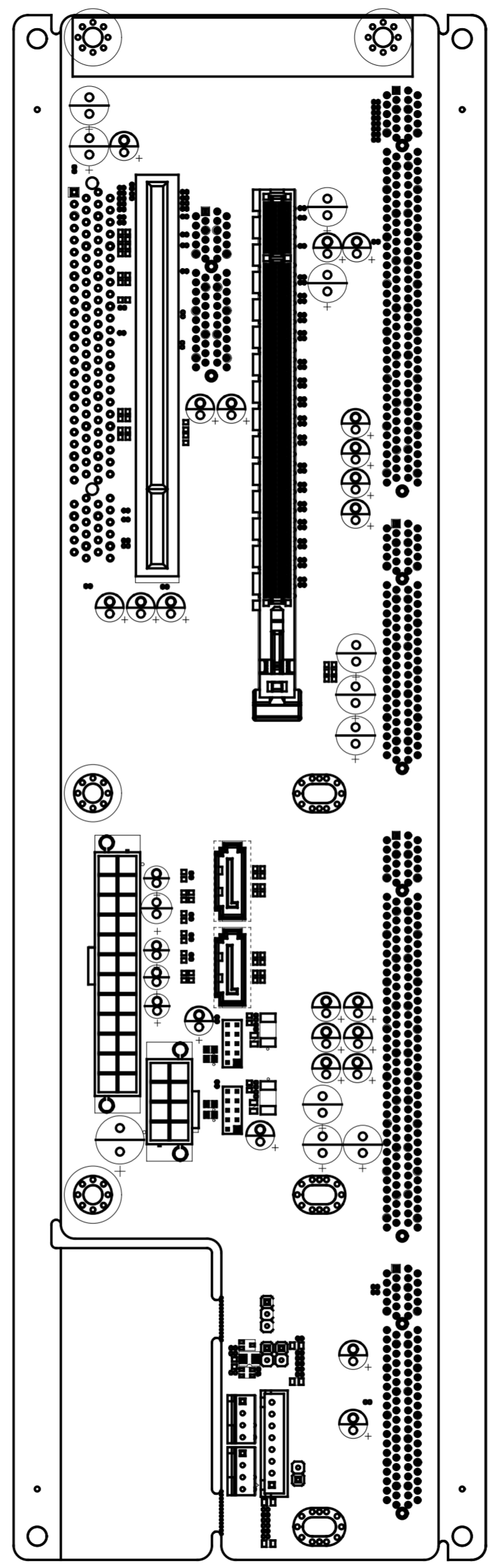
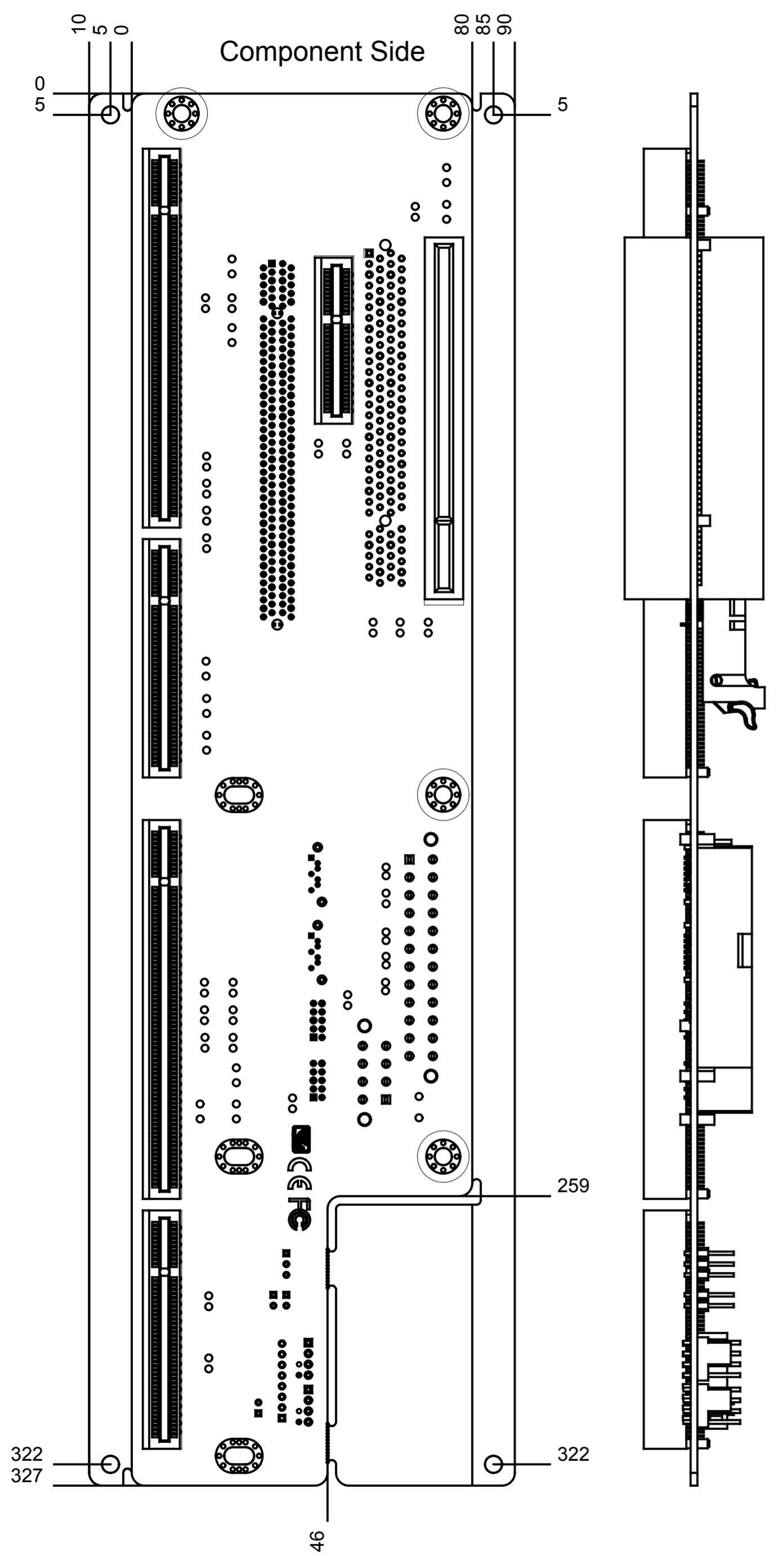
1  
2  
3  
4  
5


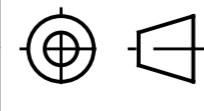
GENERAL TOL. >0 ±0.1 >10 ±0.2 >50 ±0.3 >200 ±0.5 >500 ±0.8	MATERIAL: FR4	PART NO: 1907206V01			
	SPEC: T=1.6mm	DWG NO: 1907206V01			
ANGLE TOL. ±0.5	FINISH: N/A	APPROVED	CHECKED	DESIGNED	NAME: BP-206VH-P2E2
	UNIT: MM	SCALE: 1.000	Peter	Joanne	MODEL NO: BP-206VH-P2E2
			03-Jul-13	03-Jul-13	REV. A1.0 SHEET: 2/3

ITEM	DATE	REMARK	DESIGNED	APPROVED
1				
2				
3				

Component Side

Solder Side



<b>GENERAL TOL.</b> >0 ±0.1 >10 ±0.2 >50 ±0.3 >200 ±0.5 >500 ±0.8	MATERIAL: FR4	PART NO: 1907206V01		 <b>AEEON<sup>®</sup> Technology Inc.</b> <i>An AELIS Company</i>	
	SPEC: T=1.6mm	DWG NO: 1907206V01			
<b>ANGLE TOL.</b> ± 0.5°	FINISH: N/A	APPROVED	CHECKED	DESIGNED	NAME: BP-206VH-P2E2
	UNIT: MM		Peter	Joanne	MODEL NO: BP-206VH-P2E2
SCALE: 1.000			03-Jul-13	03-Jul-13	REV. A1.0 SHEET: 3/3